

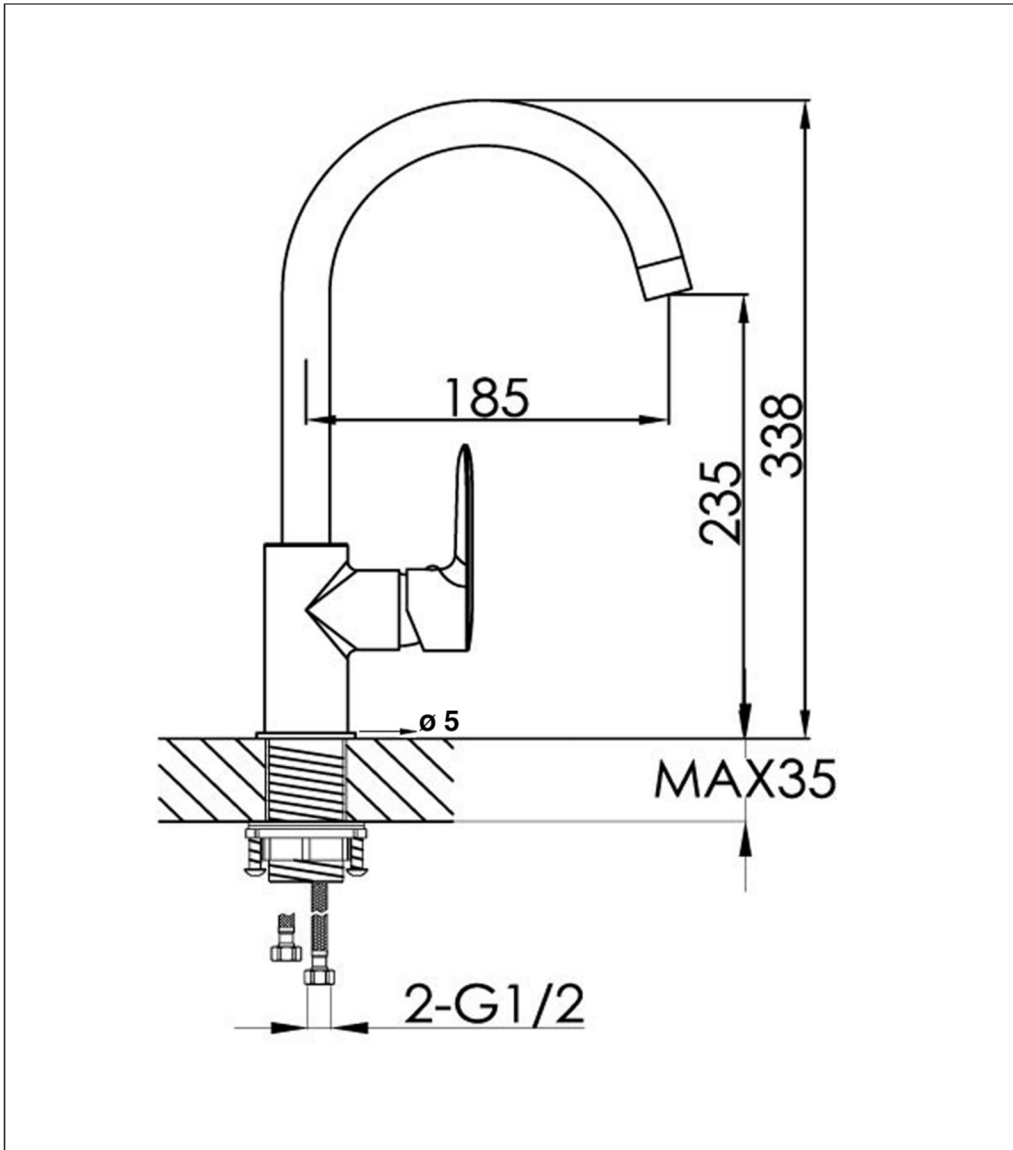


# Technical Data Sheet

Product range: Sink Mixer

Product code: ES181

Finishes Available: Chrome



Min Pressure:  
MP 0.5

Approvals:  
N/A

Connections:  
G 1/2"

Warranty:  
15 Years (5 cartridge)

## Flow Rate