

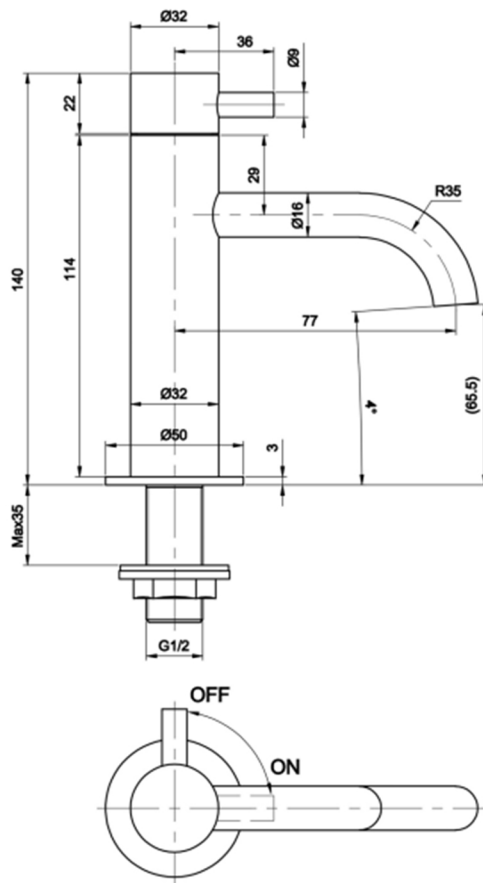


Technical Data Sheet

Product range: FLORENCE

Product code: 55011

Finishes Available: Chrome



Min Pressure:

LP 0.2

Approvals:

N/A

Connections:

G 1/2"

Warranty:

15 Years

Flow Rate

0.5Bar: 5L/min

1Bar: 8.1L/min

2Bar: 12.4L/min

3Bar: 15.2L/min