

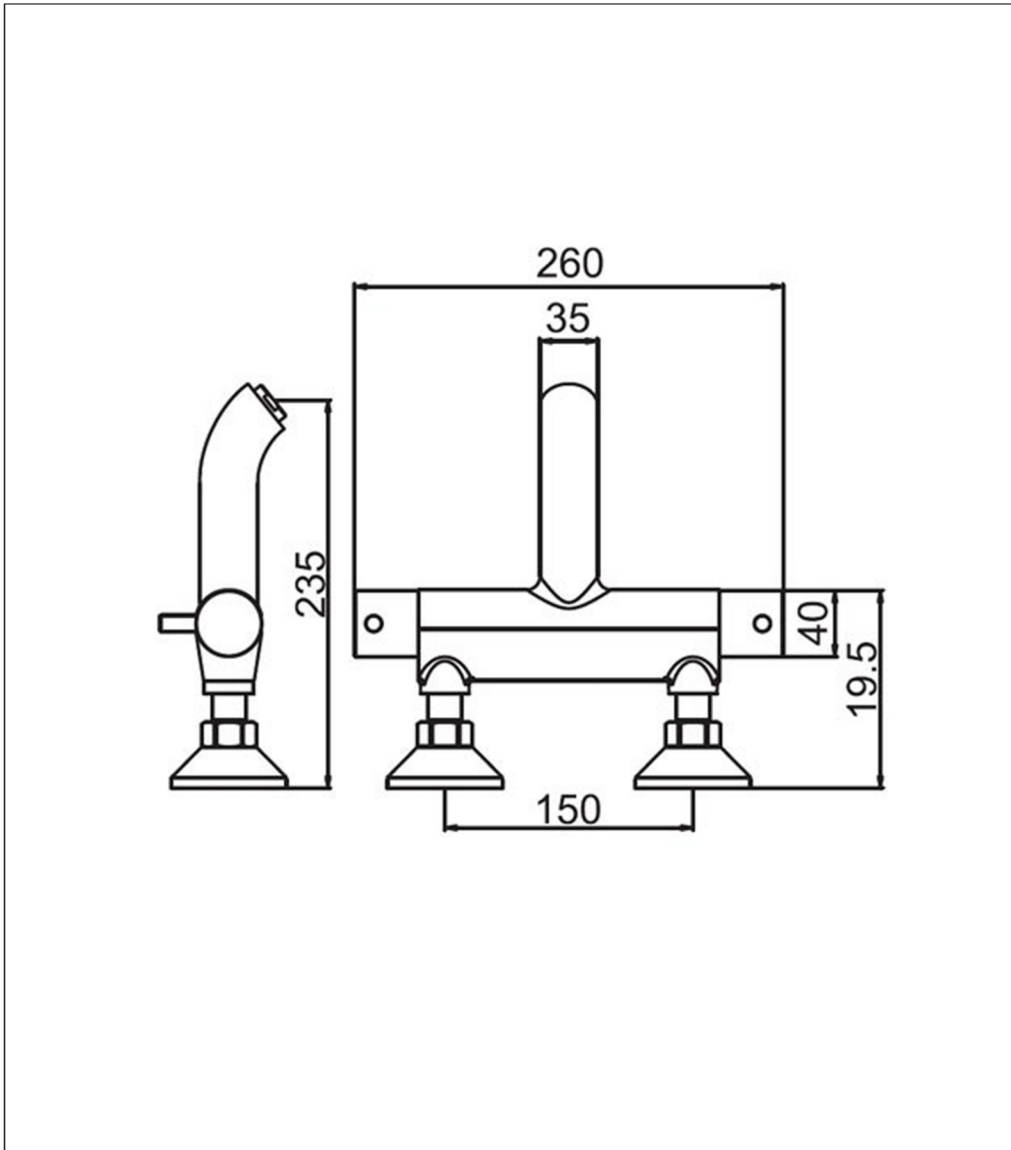


# Technical Data Sheet

Product range: FLORENCE

Product code: 15657

Finishes Available: Chrome



Min Pressure:

HPI

Approvals:

Connections:

G 1/2"

Warranty:

15 Years (5 on cartridges)

Flow Rate