

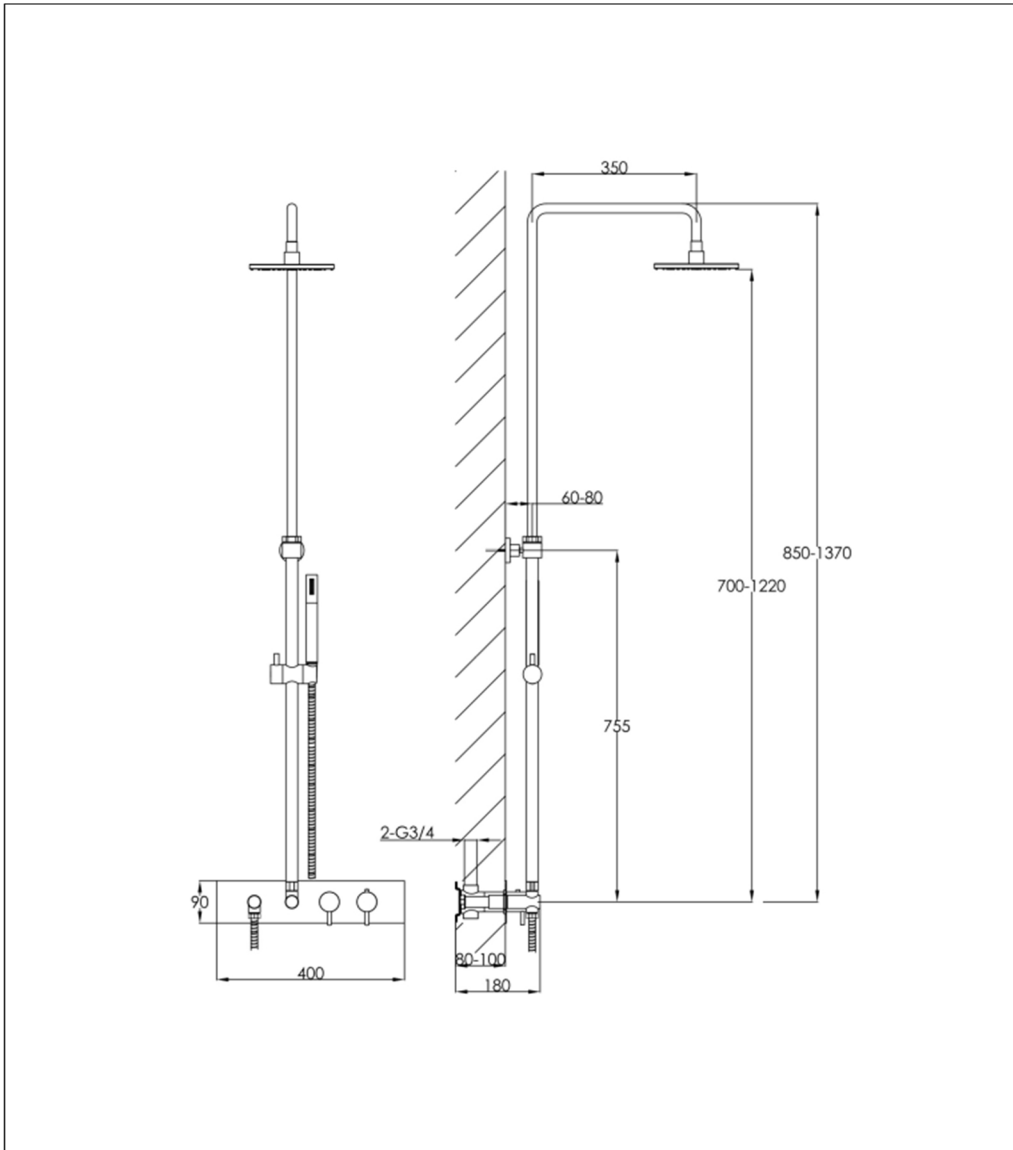


# Technical Data Sheet

Product range: FLORENCE

Product code: 55861

Finishes Available: Chrome



Min Pressure:

HP 1

Approvals:

N/A

Connections:

G3/4"

Warranty:

15 Years (5 on cartridges)

## Flow Rate