

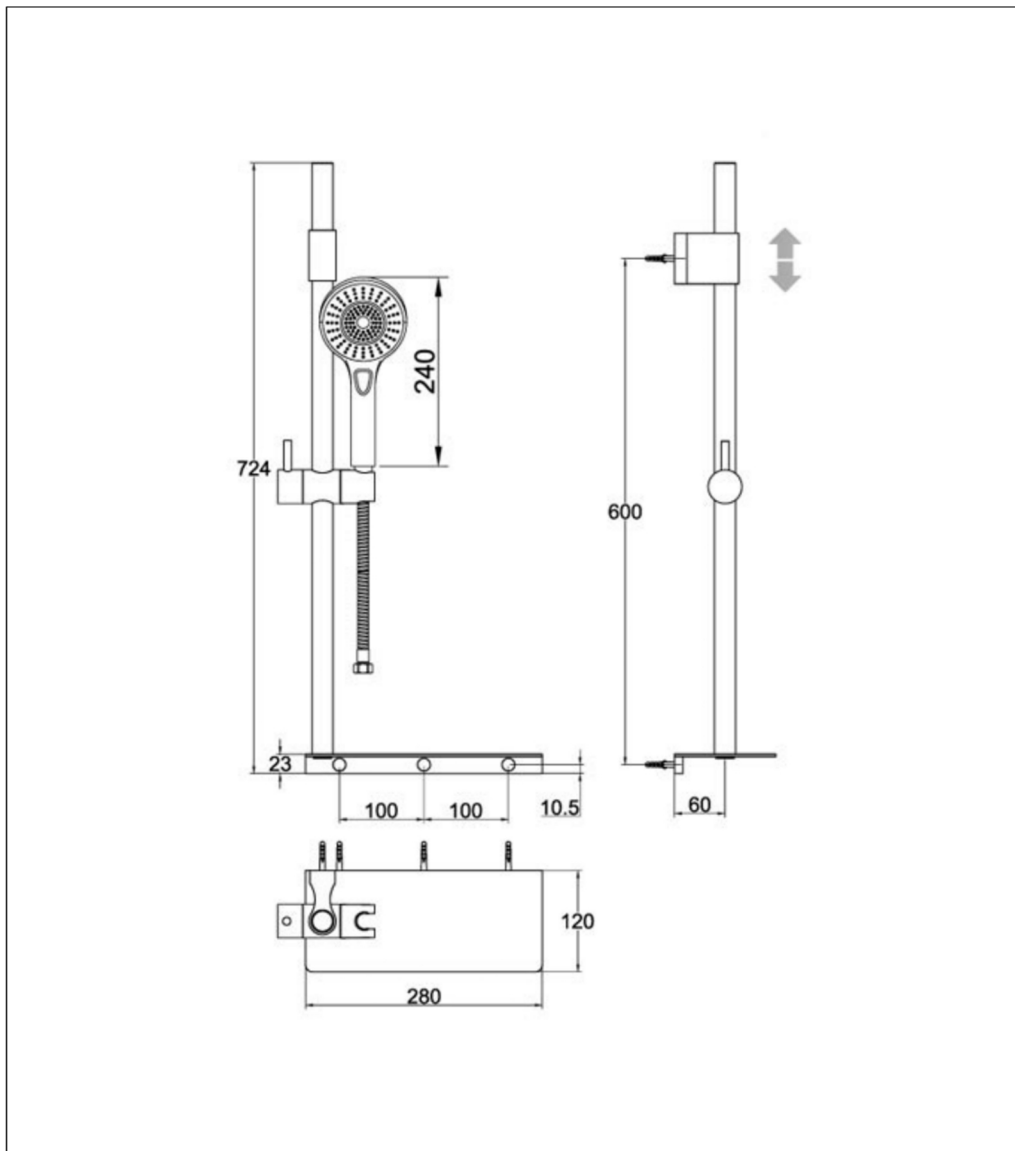


Technical Data Sheet

Product range: Slide Rail kits

Product code: AQ218

Finishes Available: Chrome



Min Pressure:
LP 0.2

Approvals:
N/A

Connections:
G 1/2"

Warranty:
15 Years (5 on cartridges)