

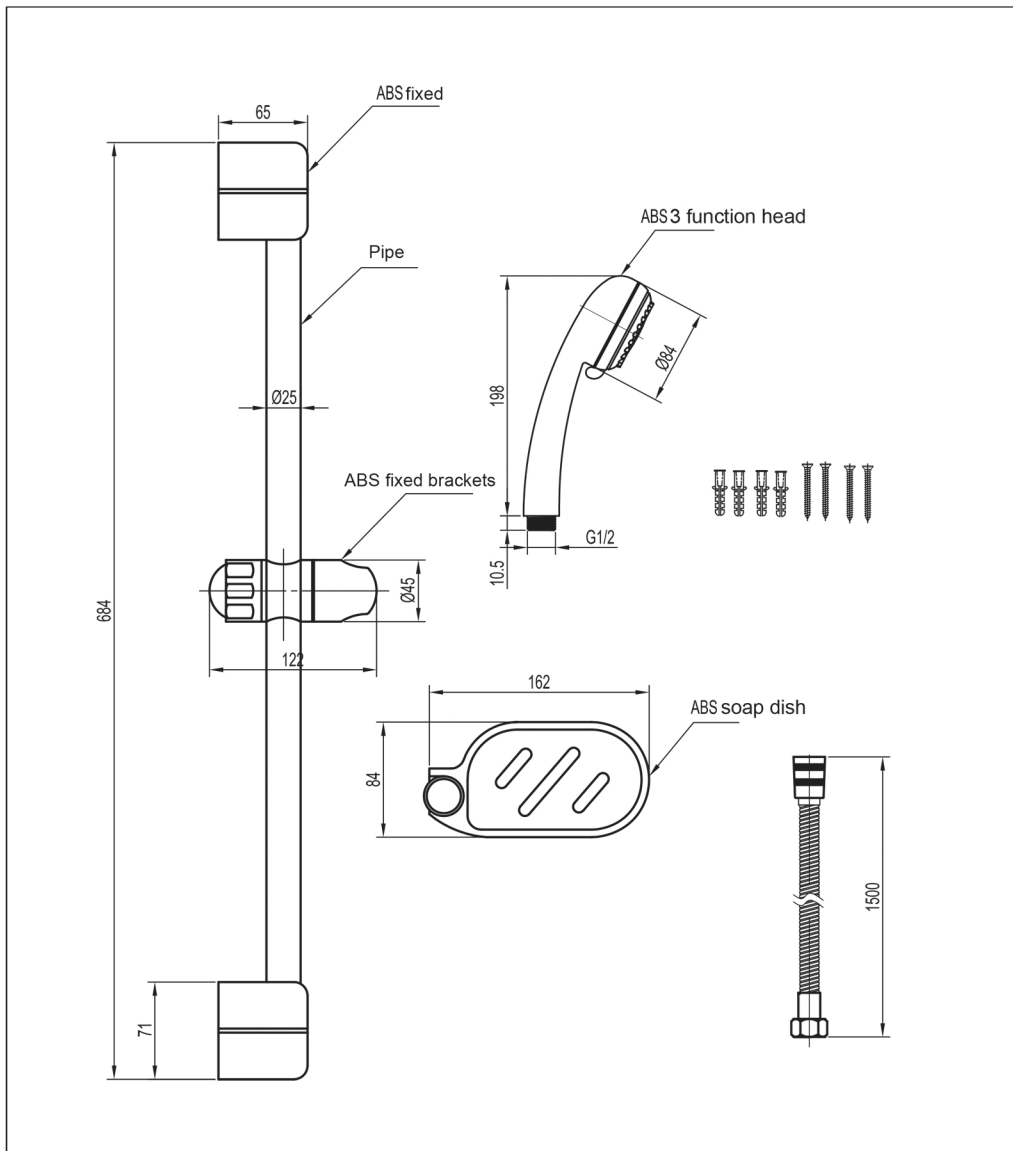


# Technical Data Sheet

Product range: Slide Rail

Product code: 1212

Finishes Available: Chrome



**Min Pressure:**  
LP 0.2

**Approvals:**  
N/A

**Connections:**  
G 1/2"

**Warranty:**  
15 Years (5 on cartridges)