

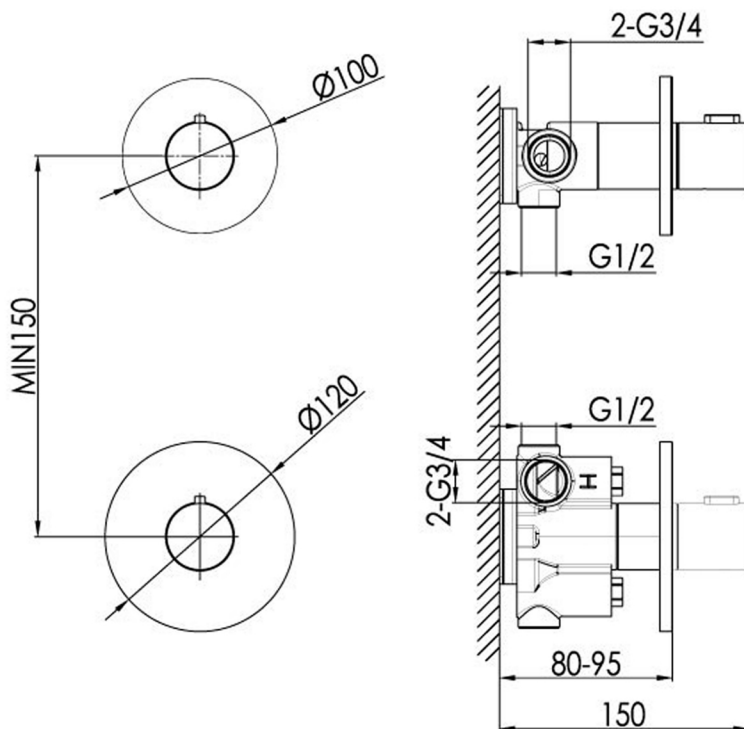


# Technical Data Sheet

Product range: HUGO

Product code: 71981

Finishes Available: Chrome



**Min Pressure:**

MP 0.5

**Approvals:**

N/A

**Connections:**

G 3/4"

**Warranty:**

15 Years (5 on cartridges)

## Flow Rate