

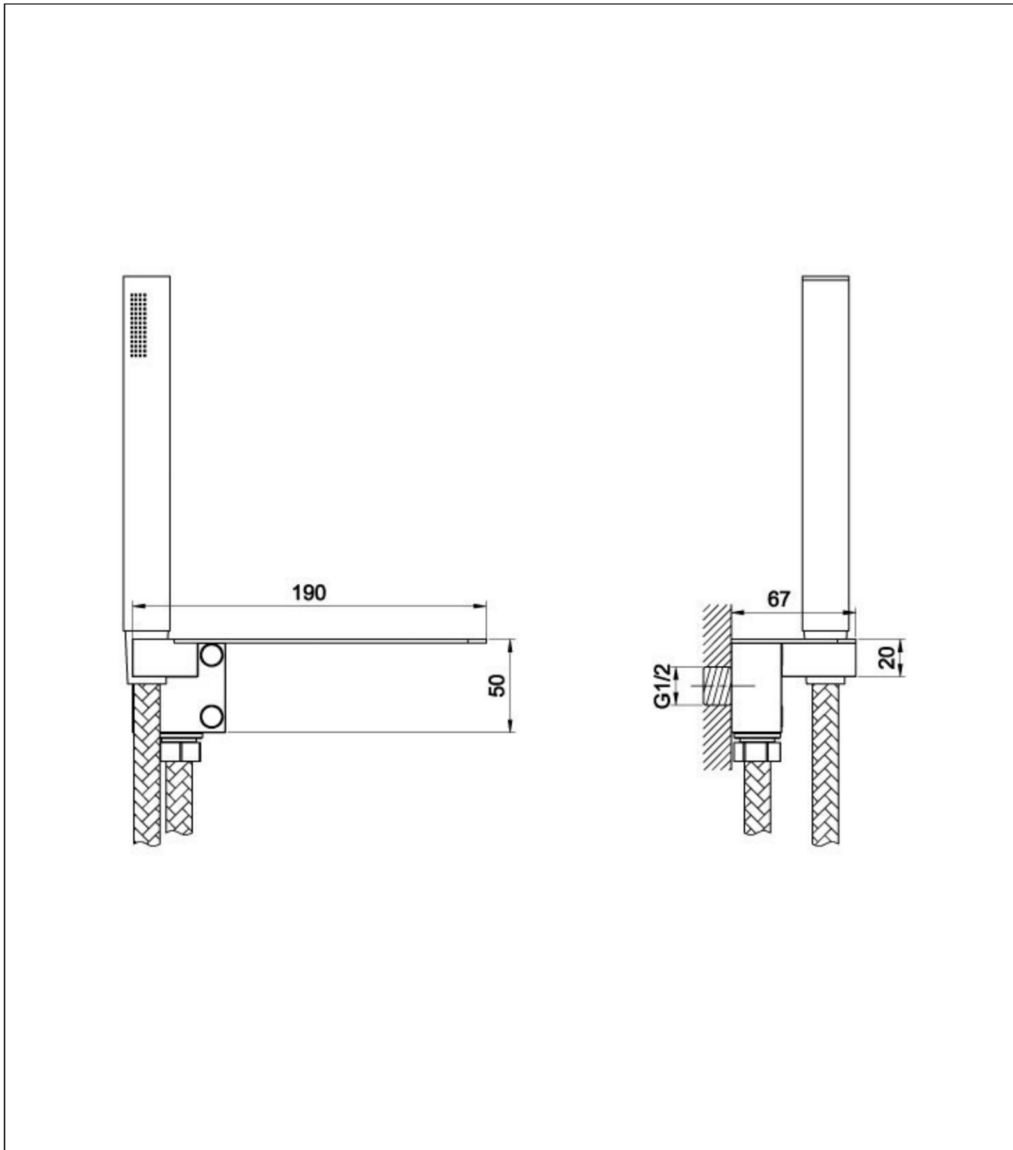


# Technical Data Sheet

Product range: SHOWER KIT

Product code: HANGER/WS

Finishes Available: Chrome



Min Pressure:  
LP 0.2

Approvals:  
N/A

Connections:  
G 1/2"

Warranty:  
15 Years

## Flow Rate