

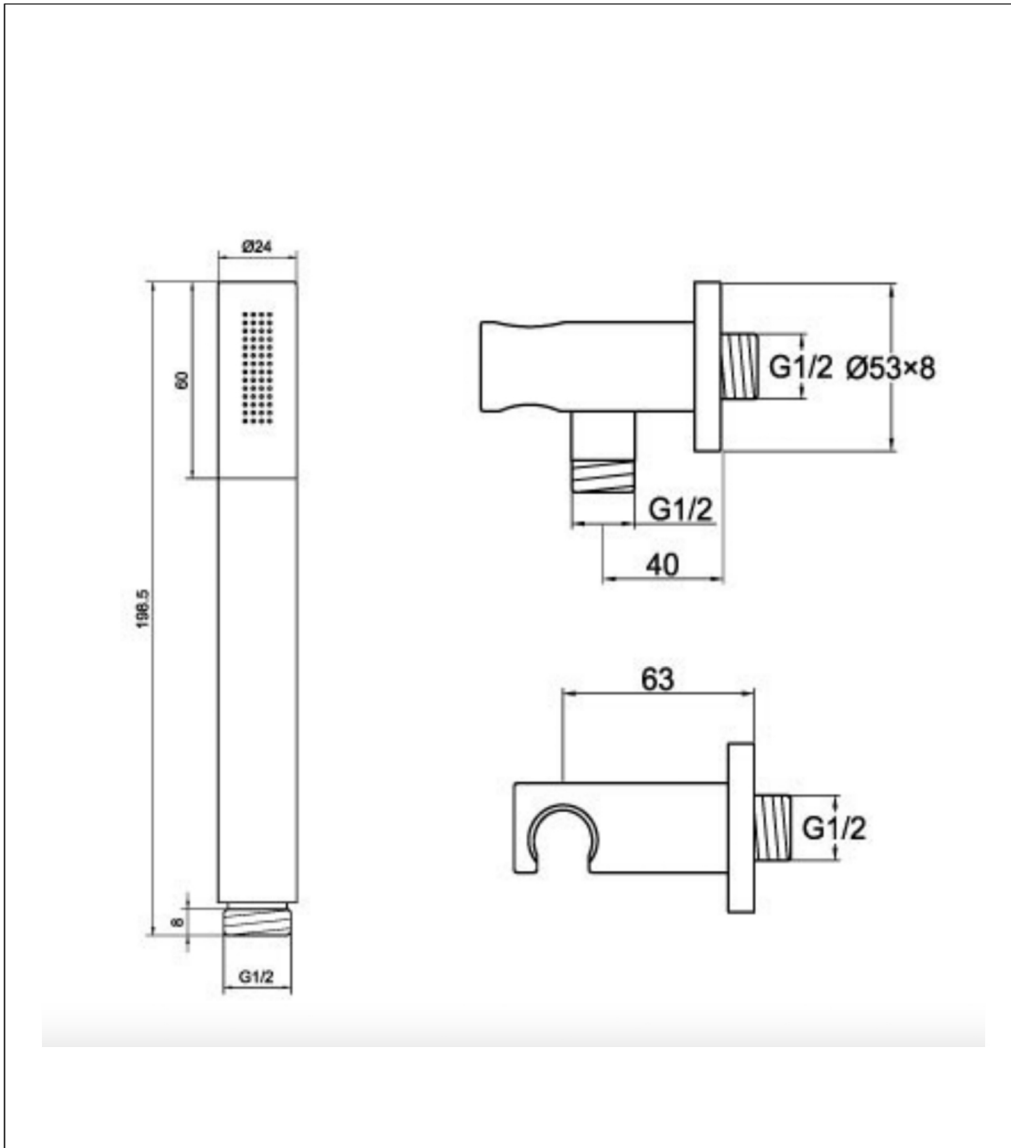


Technical Data Sheet

Product range: Shower Kit

Product code: ROUND/WS

Finishes Available: Chrome



Min Pressure:

LP 0.2

Approvals:

N/A

Connections:

G 1/2"

Warranty:

15 Years (5 on cartridges)

Flow Rate

0.5Bar: 17L/min

1Bar: 18L/min

2Bar: 22L/min

3Bar: 26L/min