

SUPERPLAN

- exclusive, elegant design
- with a depth of 2,5 cm, extremely flat and ideally suited for floor level installation
- made of KALDEWEI steel enamel
- flush-fitting recessed waste cover (only in combination with the KA 90 waste fittings)
- model 399 with full anti-slip conforms to DIN-barrier-free 18025-2

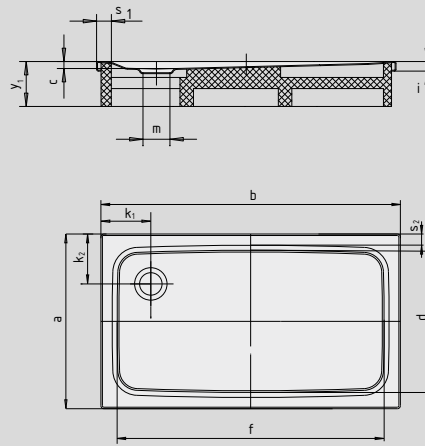


Similar illustration

| | Combined Tray & Waste depth | Waste fitting depth |
|------------------|-----------------------------|---------------------|
| KA 90 | 105 | 81 |
| KA 90 extra flat | 94 | 70 |
| KA 90 ultra flat | 85 | 61 |
| KA 90 vertical | 49 | 81 |

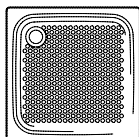
See page 275.

Model 403 with support



SECURE⁺

| Model No. | | 403 | 389 | 406 |
|--|---------------------------------|-----------|-----------|--------------|
| External length | a | 750 | 800 | 900 mm |
| External width | b | 1200 | 1200 | 1200 mm |
| Depth | c | 25 | 25 | 25 mm |
| Internal length | d | 640 | 700 | 790 mm |
| Internal width | f | 1090 | 1100 | 1090 mm |
| Height of rim | i | 32 | 32 | 32 mm |
| Distance tray edge to centre of drain hole | k ₁ ; k ₂ | 200; 225 | 200 | 200 mm |
| Diameter of drain hole | m | 90 | 90 | 90 mm |
| Width of rim | s ₁ ; s ₂ | 50; 75 | 50 | 50 mm |
| Height with support | y ₁ | 120 | 120 | 120 mm |
| Weight of the enamelled shower tray in kg | | 24 | 25 | 29 |
| Anti-slip | | ∅ 435 | ∅ 588 | ∅ 588 mm |
| Full anti-slip | | 524 x 997 | 586 x 996 | 649 x 997 mm |
| SECURE PLUS | | all-over | all-over | all-over |



The TÜV Rheinland confirms the following properties of KALDEWEI's anti-slip, full anti-slip and SECURE PLUS finish:

- Assessment group **B** for wet barefoot areas (**DIN 51097**)
- Assessment group **R 10** for slip-resistant properties in work rooms and areas with an increased risk of slipping (**DIN 51130**)

All SUPERPLAN models are available either with anti-slip, full anti-slip or SECURE PLUS.

Model 399 with full anti-slip or SECURE PLUS fits DIN barrier-free 18040-2.