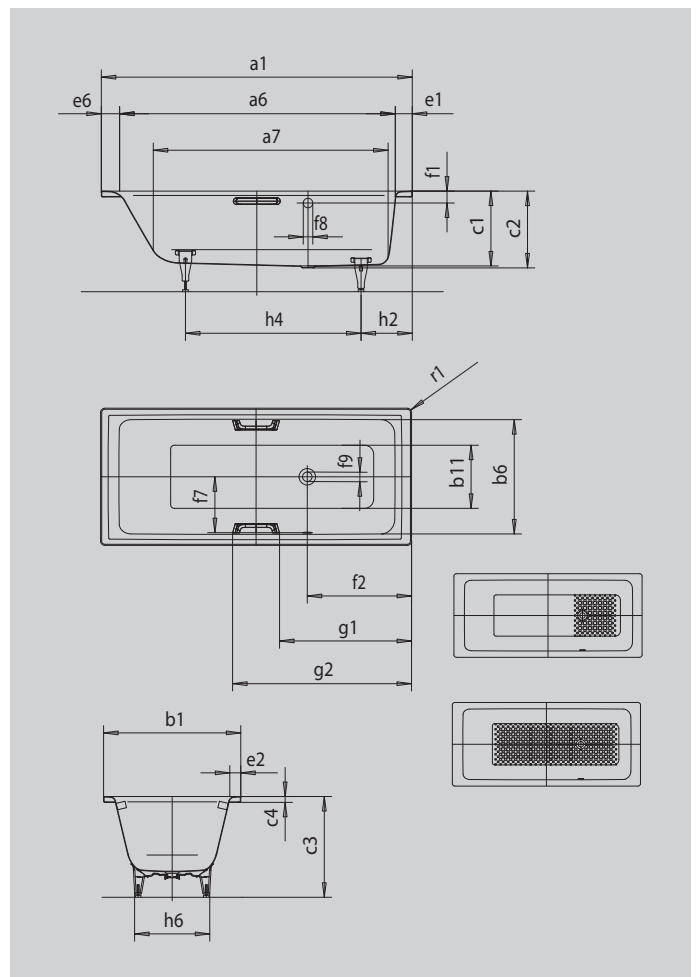


# PURO WITH SIDE OVERFLOW

- Straight-lined, purist design
- One-seater bath with waste at foot end
- Combi-bath suitable for bathing and showering
- Shower area with large standing area due to steep side walls
- Generous bathtub depth for comfortable bathing
- Flexible design options thanks to the perfect match with the PURO family
- Also available in selected sizes as a Limited Edition nature protect with a greatly reduced CO2 footprint



Similar illustration



## GRIP ELEGANT PURISM



Model		684
External length [mm]	a <sub>1</sub>	1600 mm
Internal length (top) [mm]	a <sub>6</sub>	1410 mm
Internal length (bottom) [mm]	a <sub>7</sub>	1180 mm
External width [mm]	b <sub>1</sub>	700 mm
Internal width (top) [mm]	b <sub>6</sub>	580 mm
Internal width (bottom) [mm]	b <sub>11</sub>	410 mm
Depth inside [mm]	c <sub>1</sub>	410 mm
Depth incl. waste hole [mm]	c <sub>2</sub>	420 mm
Height with feet [mm]	c <sub>3</sub>	552 - 572 mm
Height of rim [mm]	c <sub>4</sub>	32 mm
Width of rim (foot end; long side; head end) [mm]	e <sub>1</sub> ; e <sub>2</sub> ; e <sub>6</sub>	90; 60; 100 mm
Distance top edge to centre of overflow hole [mm]	f <sub>1</sub>	70 mm
Distance bath edge to centre of waste hole [mm]	f <sub>2</sub>	570 mm
Distance centre of waste hole to centre of overflow hole [mm]	f <sub>7</sub>	275 mm
Diameter of overflow hole [mm]	f <sub>3</sub>	Ø 52 mm
Diameter of waste hole [mm]	f <sub>9</sub>	Ø 52 mm
Distance foot end of bath edge to centre of foot [mm]	h <sub>2</sub>	435 mm
Distance between the feet [mm]	h <sub>4</sub>	705 mm
Width of feet max. [mm]	h <sub>6</sub>	410 mm
External radius [mm]	r <sub>1</sub>	8 mm
Water volume [l]		105 l
Net weight [kg]		45 kg
Anti-slip		300 x 300 mm
Full anti-slip		708 x 252 mm

Subject to technical alterations, tolerances and errors. Similar illustration. 70 litres displacement on average.

**KALDEWEI**