

SEATTLE 18/10 STAINLESS STEEL INSET SINK

SE9501POL/



Size: 950 x 508 mm

The Seattle collection features generous bowls paired with a modern drainer design, thanks to its high-shine polished finish this sink stands out from the crowd.

- Reversible drainer
- Polished finish
- Manufactured from 18/10 stainless steel
- 10 year warranty

Waste kit sold separately, please order WAST09/

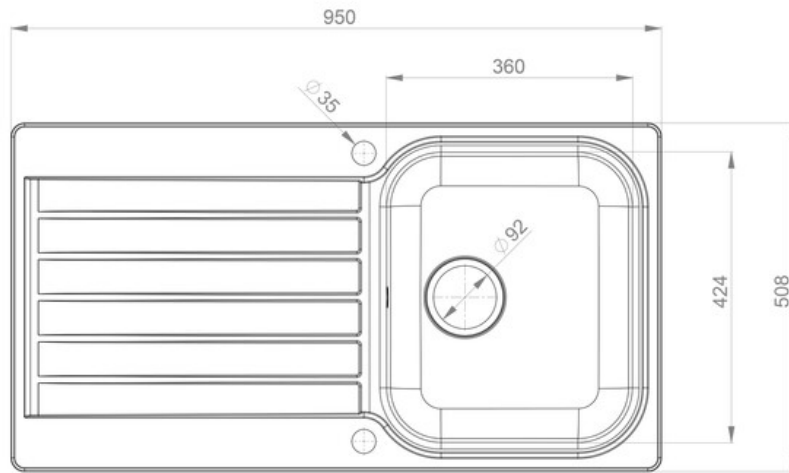
Material	18/10 Stainless Steel
Material Gauge	0.7
Material Finish Bowl	Polished
Material Finish Drainer	Polished
Drainer Position	Reversible
Overall Length (mm)	950
Overall Width (mm)	508
Main Bowl Length (mm)	360
Main Bowl Width (mm)	424
Main Bowl Depth (mm)	155
Second Bowl Length (mm)	-
Second Bowl Width (mm)	-
Second Bowl Depth (mm)	-
Tap hole Size (mm)	1 x 35
Waste Size (mm)	1 x 92
Waste Kit	Sold separately, please order WAST09/
Min. Base Unit (mm)	500
Cutout Size Length (mm)	930
Cutout Size Width (mm)	488
Warranty Sinks (years)	10
Product Code	SE9501POL/
Barcode	5015834031705

Date of download: July 22, 2023

SEATTLE 18/10 STAINLESS STEEL INSET SINK

SE9501POL/

Technical Drawing



Date of download: July 22, 2023

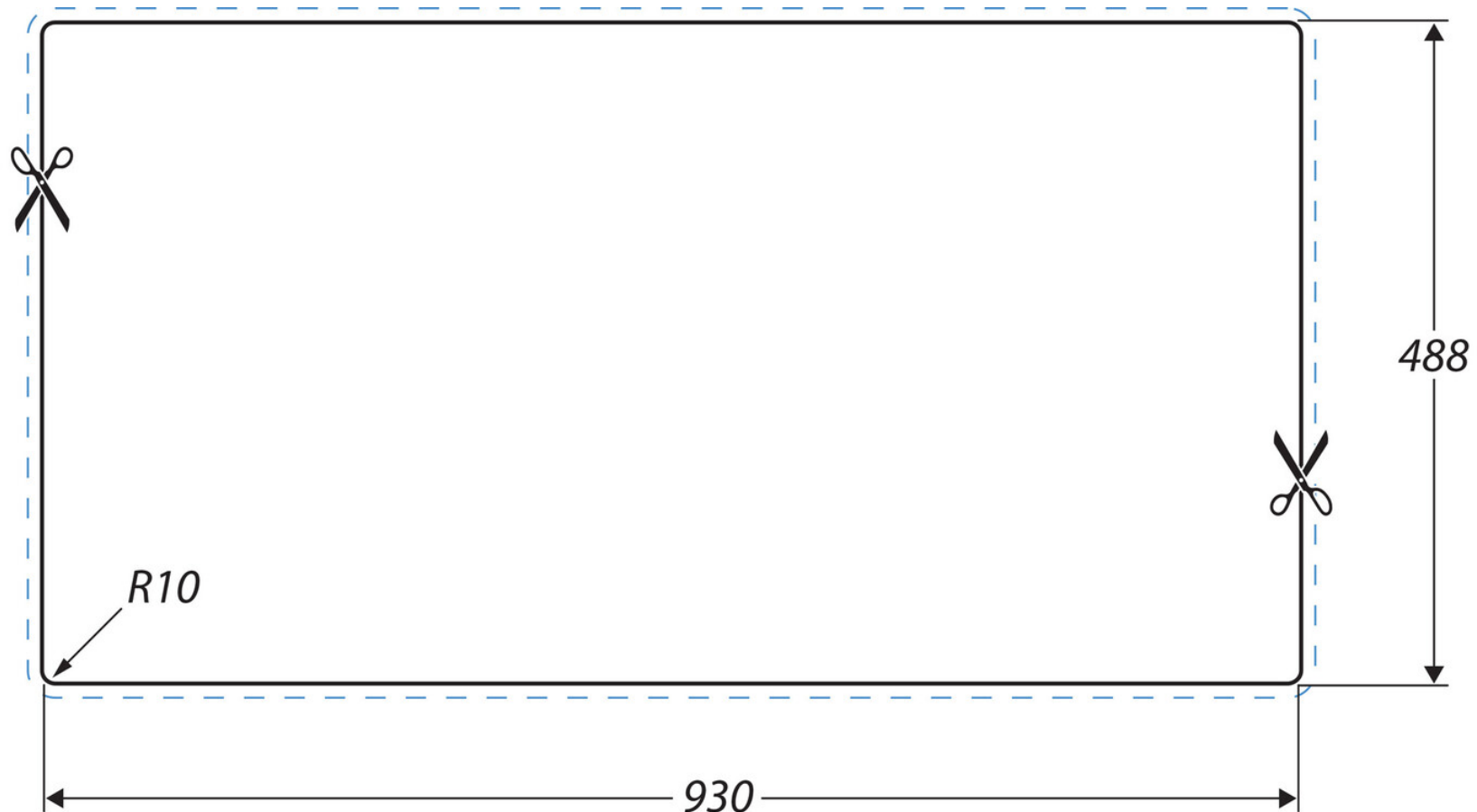
AGA Rangemaster continuously seeks improvements in specification, design and production of products and thus, alterations take place periodically. Whilst every effort is made to produce up-to date resources, the information included here is intended as a guide. Always refer to the product's installation instructions when fitting, installation work should be completed a professional tradesman.

SEATTLE 18/10 STAINLESS STEEL INSET SINK

SE9501POL/

Cut Out Template

Dimensions in mm. Not to scale.



Date of download: July 22, 2023

AGA Rangemaster continuously seeks improvements in specification, design and production of products and thus, alterations take place periodically. Whilst every effort is made to produce up-to date resources, the information included here is intended as a guide. Always refer to the product's installation instructions when fitting, installation work should be completed a professional tradesman.