

# LINEAR 18/10 STAINLESS STEEL INSET SINK

LN950/



## Size: 950 x 508 mm

The Linear collection is a popular range thanks to its versatile styling, the design features classic lines paired with soft bowls. The Linear collection is available in an array of sizes, finishes and bowl configurations, offering a solution for every installation.

- Fits a 500mm cabinet
- Reversible installation
- Satin bowl, bright drainer
- Manufactured from 18/10 stainless steel
- 0.9 gauge steel
- 10 year warranty

Waste kit sold separately, please order WKIT05/ or WKIT17/

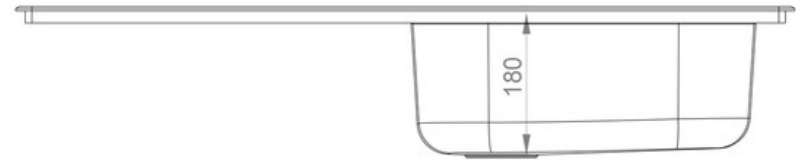
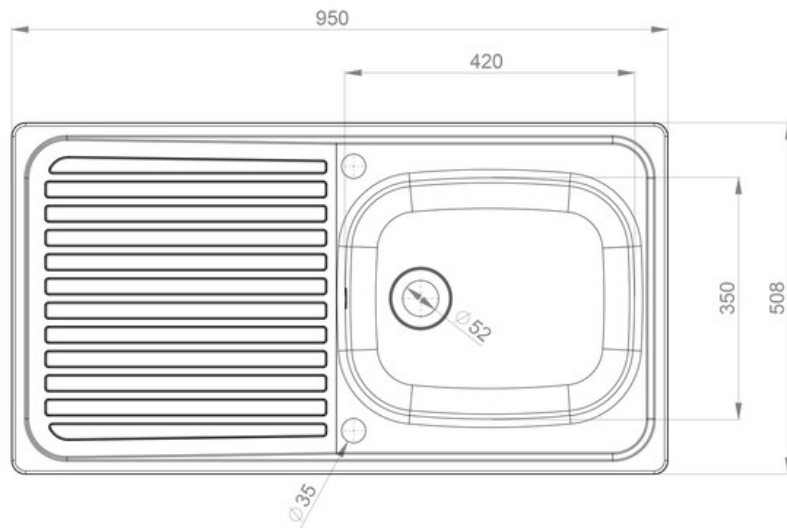
Material	18/10 Stainless Steel
Material Gauge	0.9
Material Finish Bowl	Satin
Material Finish Drainer	Bright
Drainer Position	Reversible
Overall Length (mm)	950
Overall Width (mm)	508
Main Bowl Length (mm)	420
Main Bowl Width (mm)	350
Main Bowl Depth (mm)	180
Second Bowl Length (mm)	-
Second Bowl Width (mm)	-
Second Bowl Depth (mm)	-
Tap hole Size (mm)	1 x 35
Waste Size (mm)	1 x 52
Waste Kit	Sold separately, please order WKIT05/
Min. Base Unit (mm)	500
Cutout Size Length (mm)	930
Cutout Size Width (mm)	488
Warranty Sinks (years)	10
Product Code	LN950/
Barcode	5015834037547

Date of download: July 24, 2023

# LINEAR 18/10 STAINLESS STEEL INSET SINK

LN950/

## Technical Drawing



Date of download: July 24, 2023

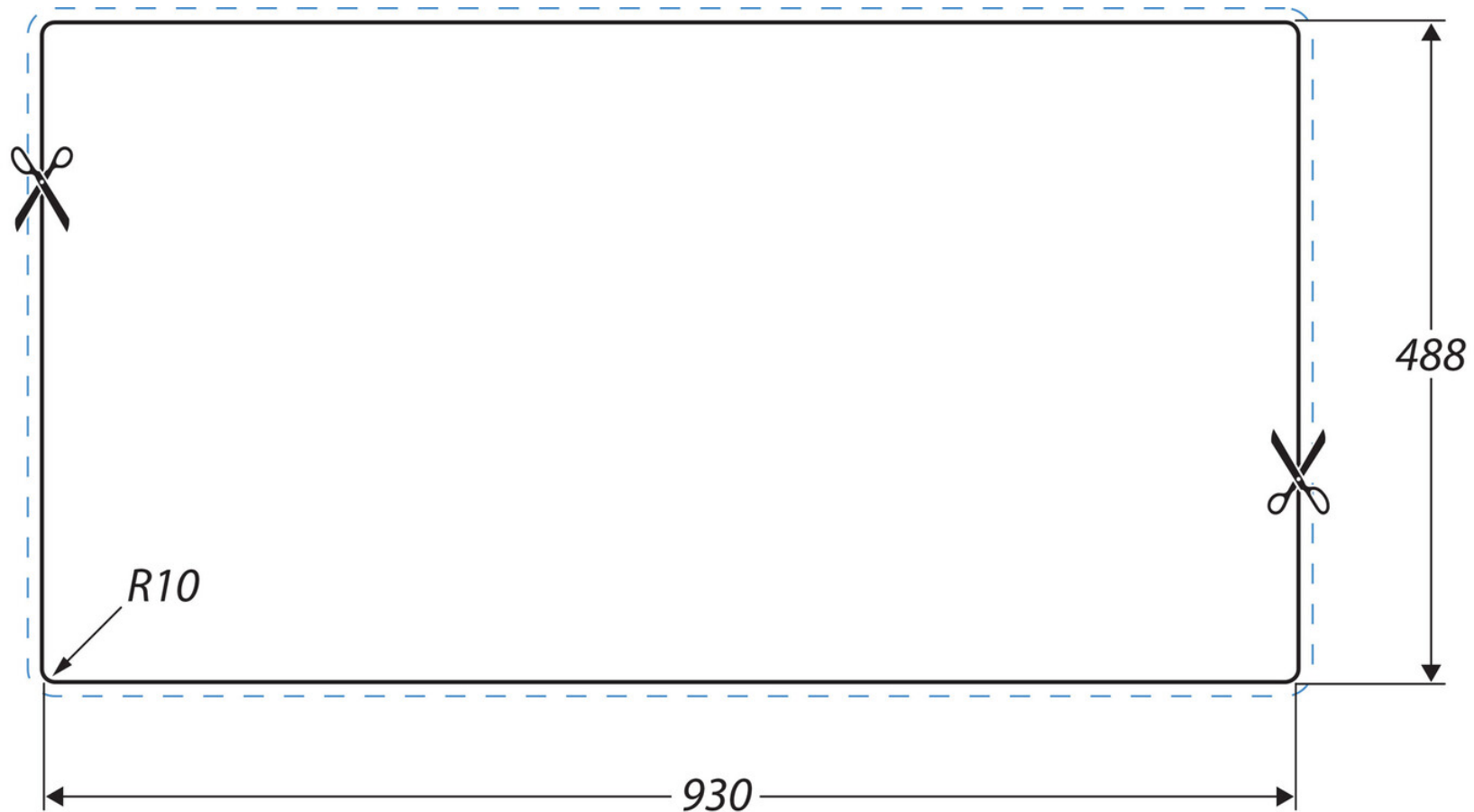
AGA Rangemaster continuously seeks improvements in specification, design and production of products and thus, alterations take place periodically. Whilst every effort is made to produce up-to date resources, the information included here is intended as a guide. Always refer to the product's installation instructions when fitting, installation work should be completed a professional tradesman.

# LINEAR 18/10 STAINLESS STEEL INSET SINK

LN950/

## Cut Out Template

Dimensions in mm. Not to scale.



Date of download: July 24, 2023

AGA Rangemaster continuously seeks improvements in specification, design and production of products and thus, alterations take place periodically. Whilst every effort is made to produce up-to-date resources, the information included here is intended as a guide. Always refer to the product's installation instructions when fitting, installation work should be completed a professional tradesman.