

Please ensure all tradesmen working on or around the installation have consulted these instructions and understand how to maintain the waterproofing integrity.

Hydromat Guarantee

When installed correctly by a competent person and used for normal wetroom applications this tanking system has a life-of-tiling guarantee (if grout lines are maintained). No guarantee is offered where this is not the case.

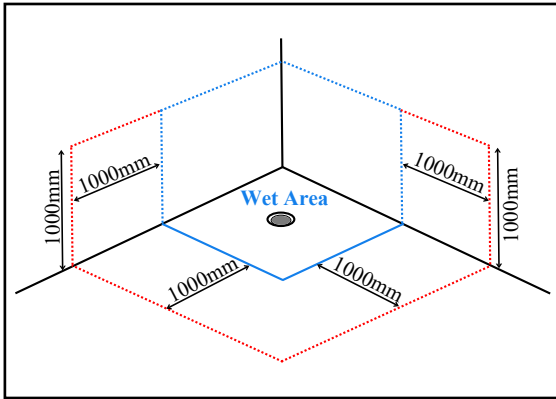
Overview and Notes

Tanking should be applied **at minimum** one meter up the walls and one meter into the room from the edge of the wet area. Areas outside the main wet space that are exposed frequently to water also require tanking. The aim is to create one continuous tanking sheet down to the drain.

Jointing tapes and corners are self adhesive on both sides with removable films, **use the roller provided and roll over all areas before removing the top film.**

The sheet membrane is self adhesive with a fleece top that provides maximum key for tile adhesive. When installing always work from the corner, once down **roller over all areas for maximum adhesion.**

The Butyl Sealant does not cure solid, it will remain permanently plastic.



Step 1

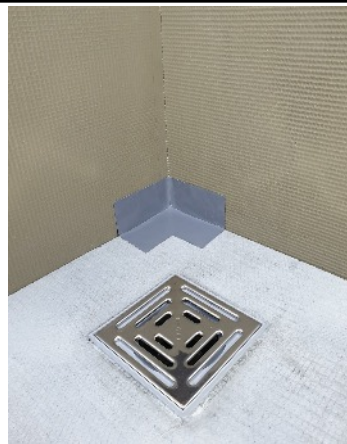
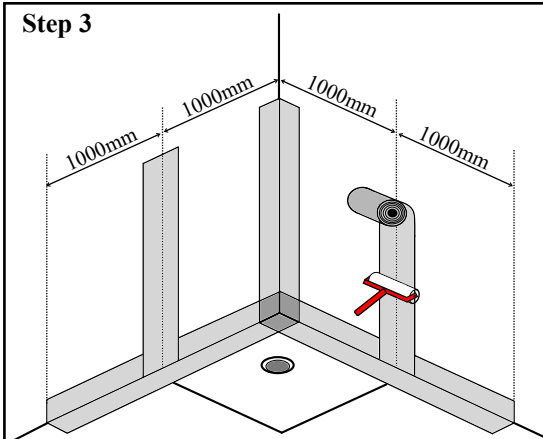
Check the substrate is sound, free of contaminants and remove any loose material.

Make sure there are no significant irregularities, any gaps should be filled.

Step 2

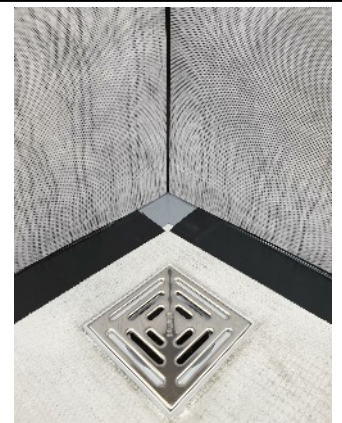
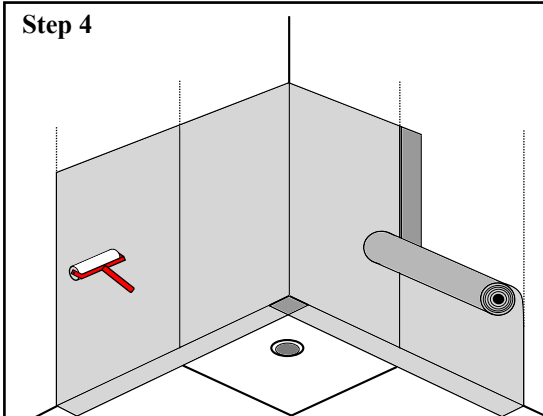
Prime all surfaces and allow to dry. Primer may be thinned as directed on the bottle.

Step 3



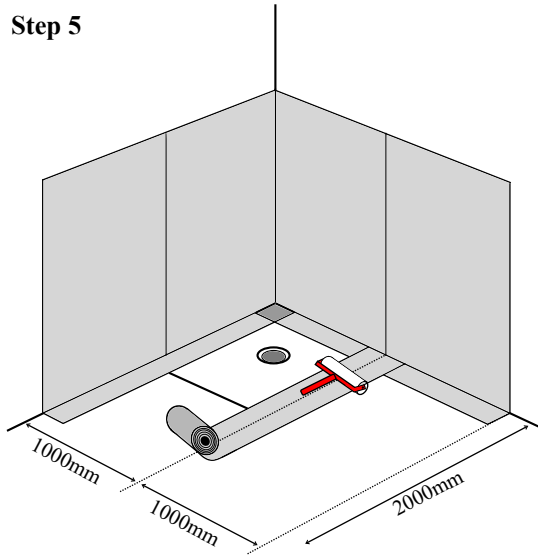
- Install internal/external corners.
- Install joint tape into the corner wall/wall joint, overlapping onto the corner down to the floor.
- Install joint tape into the corner floor/wall joint, overlapping onto the corner 50mm. Do not overlap onto the vertical tape.
- From the corner of the wall mark out and apply joint tapes at 1000mm centres, overlapping onto the floor tape down to the floor.

Step 4



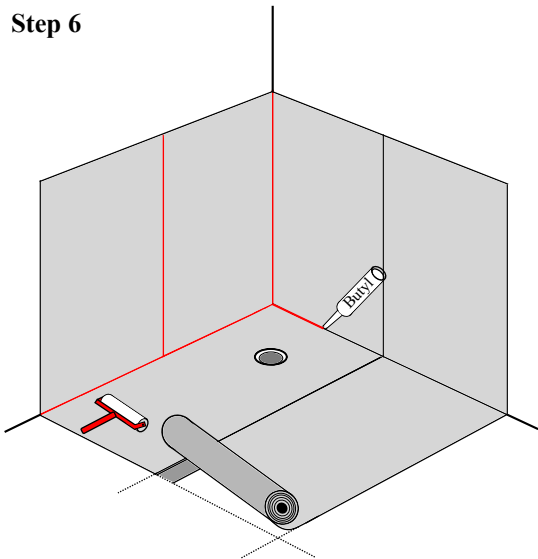
- Starting from the corner carefully apply the membrane onto the wall leaving no gaps greater than 5mm between joints, at all butt joints ensure to overlap the membrane onto the joint tape by at least 70mm.

Step 5

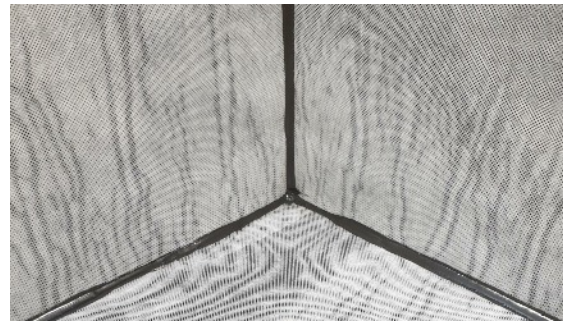


- From the wall mark out and apply joint tapes at 1000mm centres, overlap onto the floor/wall tape.

Step 6



- The floor drain that you are using will determine the interface method between the membrane and drain, please see the “Common Drain & Membrane Interfaces” section, you must read this section before continuing and apply it during the next part of the installation.



- Starting from the corner carefully apply the membrane onto the floor leaving no gaps greater than 5mm between joints, at all butt joints ensure to overlap the joint tape at least 70mm.
- Apply the Buytl Sealant to all gaps/joints and where pipes pass through the membrane, ensure sealant is pushed well into all joints.

Common Drain & Membrane Interfaces



Drains with sheet membrane clamping mechanisms.

The Purus Minimax 2-part drain features a clamping ring, mark centre of drain when laying the membrane, cut a 107mm diameter hole. Press the membrane into the drain and install the clamping ring to secure it.

For other drains with clamping mechanisms please refer to your drain instructions.



Drains without sheet membrane clamping mechanisms.

For drains with upstands cut the membrane to fit around the upstand with a gap no greater than 5mm. Apply the Buytl Sealant, ensure sealant is pushed well into the joint.

Drains without an upstand or clamping mechanism may also be used by taking the membrane at least 30mm onto the drain body and applying sealant to the edge of the membrane.

Commence tiling.

Notes

External corners are available separately.