

INSTALLATION GUIDE

Sliding Door

MERLYN™
M

8
Series

IMPORTANT

Thank you for choosing Merlyn. Please familiarise yourself with the fitting instructions before commencing fitting.

- 1 Check that you have the tools required
- 2 Check that the installation site is compatible with size of door supplied
- 3 Check all the enclosure components
- 4 Check that the installation kit is complete

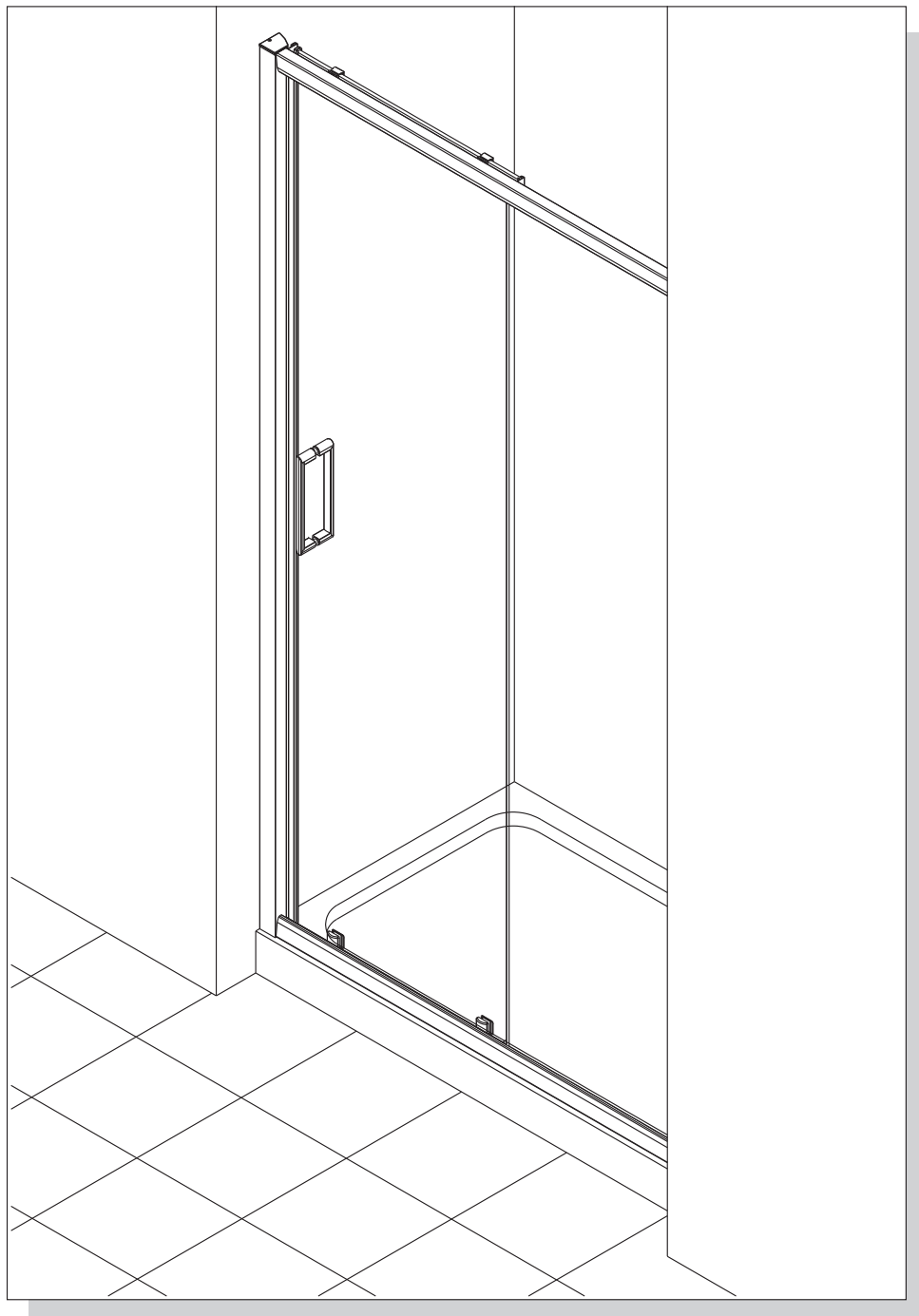
DO NOT attempt to install the product unless you can tick **ALL 4** boxes as satisfactory.

The wall plugs supplied with the installation kit are for use in solid walls. Hollow or 'stud - partition' walls will require alternative fixings. Please consult a hardware supplier for the correct type.

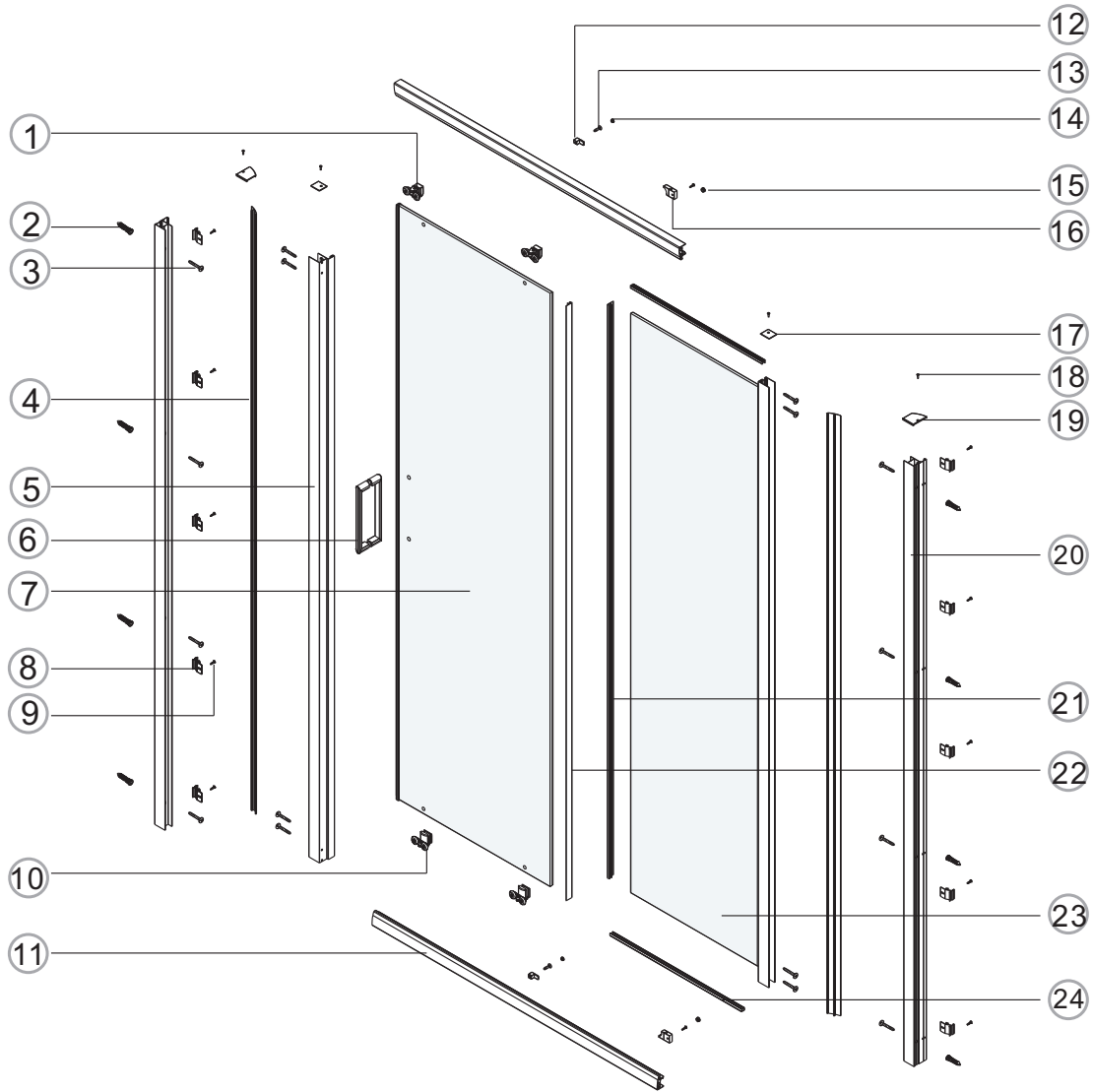
It may also be necessary to consult your tiling supplier about the correct method for drilling your tiles.

USE SAFETY EYEWEAR WHEN DRILLING

Any parts missing or damaged must be reported to your supplier within 5 days of purchase. Inspect shower enclosure before fitting. No claims will be accepted after product has been installed.



COMPONENTS AND BOX CONTENTS

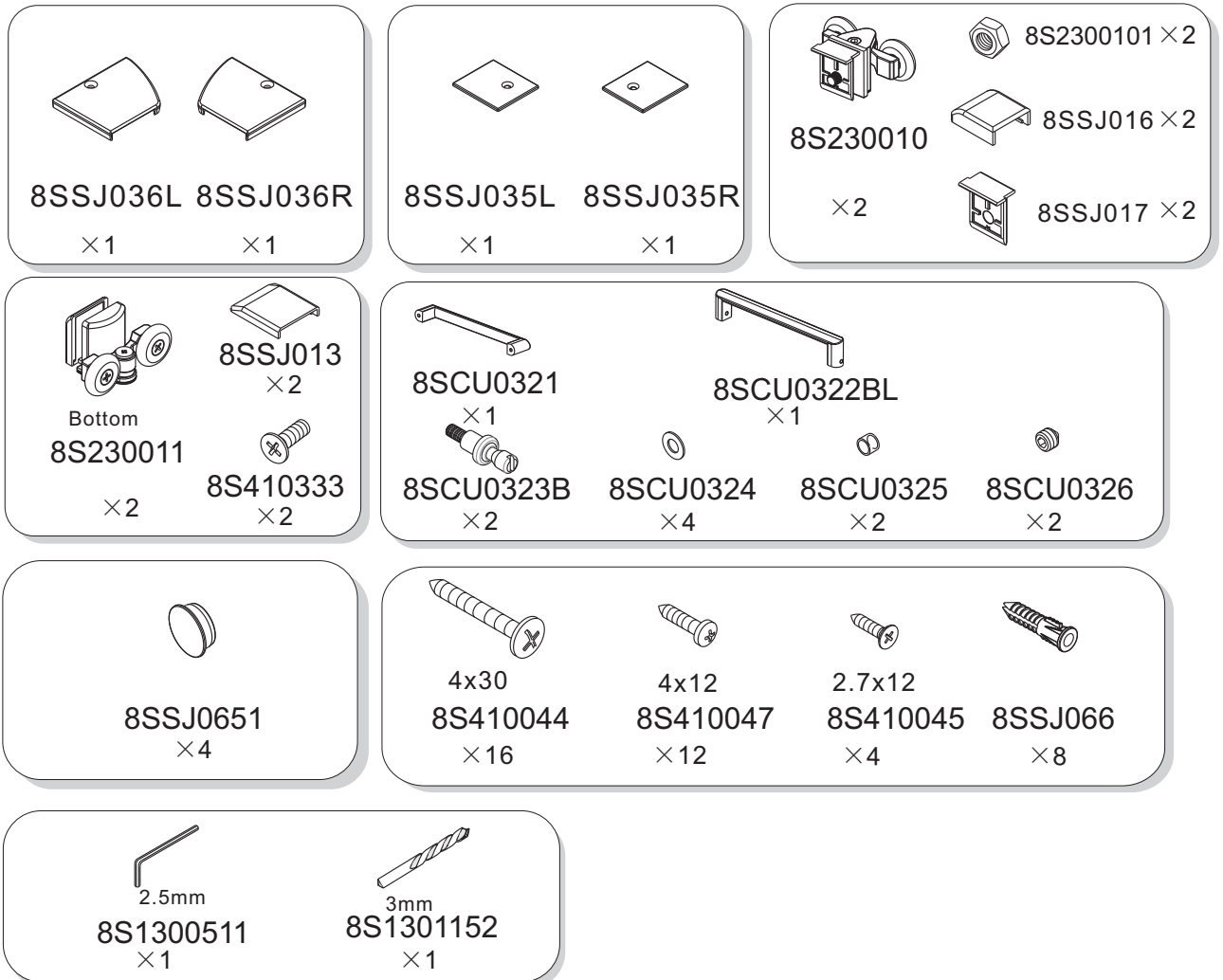


No.	Description	Qty	Part No.	No.	Description	Qty	Part No.
1	Top double rollers	2	8S230010	13	Fixed glass clip screw(4x14)	2	8S410002
2	Wall plug	8	8SSJ066	14	Fixed glass clip cap	2	8SSJ0651
3	Wall fixing screw(4x30)	16	8S410044	15	Roller stop cap	2	8SSJ0321
4	Trim strip	2	8SAL0002	16	Roller stop	2	8SSJ032/033
5	Magnetic profile	1	8SALMJ9038	17	Upright profile cover cap	2	8SSJ035L/R
6	Handle complete inside & outside	1	8SCU032BL	18	Cover caps screw (2.7x12)	4	8S410045
7	Moving panel	1	B	19	Wall profile cover cap	2	8SSJ036L/R
8	Nylon clip	10	8SSJ037	20	Wall profile	2	8SAL0001
9	Frame fixing screw(4x12)	12	8S410047	21	Fixed panel upright seal	1	8SSJ0503
10	Bottom double roller	2	8S230011	22	Moving panel upright seal	1	8SSJ0508
11	Top and bottom profile	2	C	23	Fixed panel	1	A
12	Fixed glass clip	2	8SSJ065L/R	24	Fixed panel bottom seal	2	8SSJ034c/890

Note: Further part details for fixing kit available on Page 2

FIXING KIT COMPONENTS, TOOLS REQUIRED, SITE CONDITIONS

Fixing Kit components *parts shown are not to scale*



Tools required

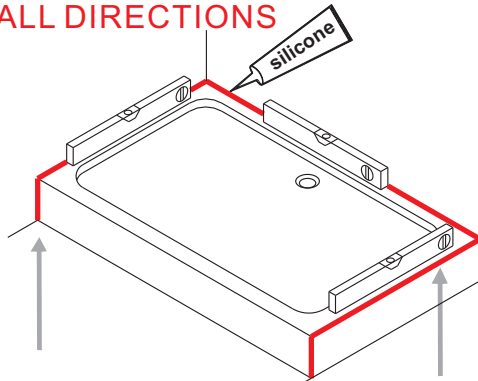
- 6mm masonry drill bit
- Power drill
- Quality silicone
- Pencil
- Spirit level and tape measure
- #2 and #1 Philips head screw driver
- Spirit level with horizontal and vertical level indicators
- 10mm wrench

IMPORTANT - Installation Site

1. Ensure the top surface of the shower tray on which the enclosure will be installed is level in every direction.
2. The tiling or other wall finishing should be effectively sealed at the tray edges.
3. Tiles should extend at least to the corners of the tray and a minimum of 2 metres from the top of the tray.

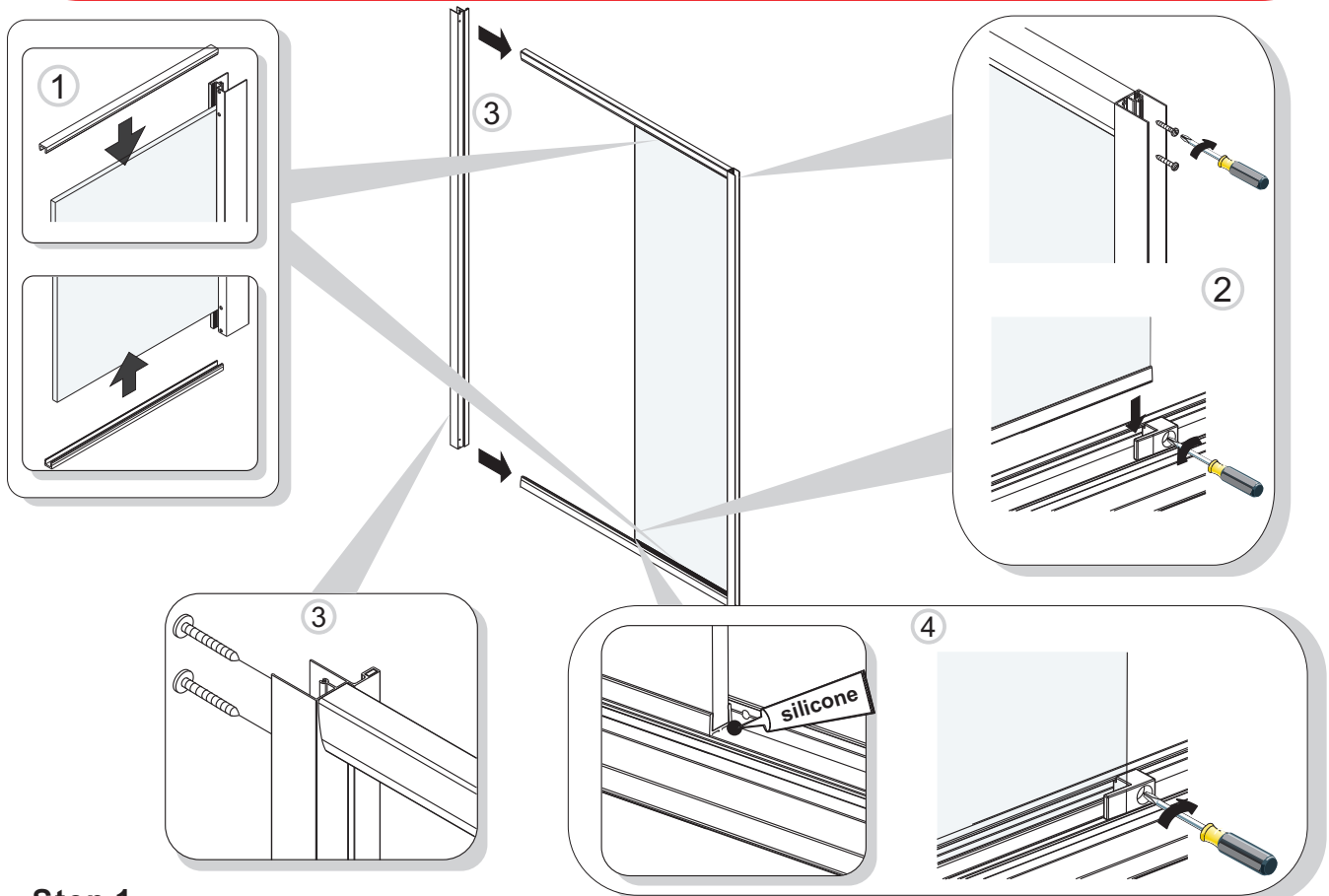
INSTALL FIXED PANEL AND GUIDING RAIL

TRAY MUST BE 100% LEVEL IN ALL DIRECTIONS



Ensure the shower tray is level in all directions and is properly sealed to the wall. The wall must be tiled down to the top edge of the tray. **Do not angle out bottom tile.**

TRAY MUST BE SEALED FULLY AROUND WHERE THE TRAY MEETS THE WALL.



Step 1

Insert the fixed panel seal **8SSJ034c/890** to top and bottom of the fixed panel **A**.

Step 2

Loosen the fixed panel clip **8SSJ065L/R**. Insert the fixed glass panel into the fixed clip. Fix the fixed panel to the top and bottom profile using screws **8S410044**.

Step 3

Repeat for the top. Attach the magnetic profile **8SALMJ9038** to the top and bottom profile using screws **8S410044**. Keep magnet inside.

Step 4

Remove the bottom fixed glass clips. Put a dab of silicone in the corner between glass and profile where the fixed glass clip is fixed to the bottom profile. Reattach the fixed glass clip. Remove excess silicone when upright seals are fitted (see step 15).

FIXED FRAMEWORK

Step 5

Place the wall profile **8SAL0001** 20mm from the edge of the tray. Ensure the wall profiles are plumb.

Step 6

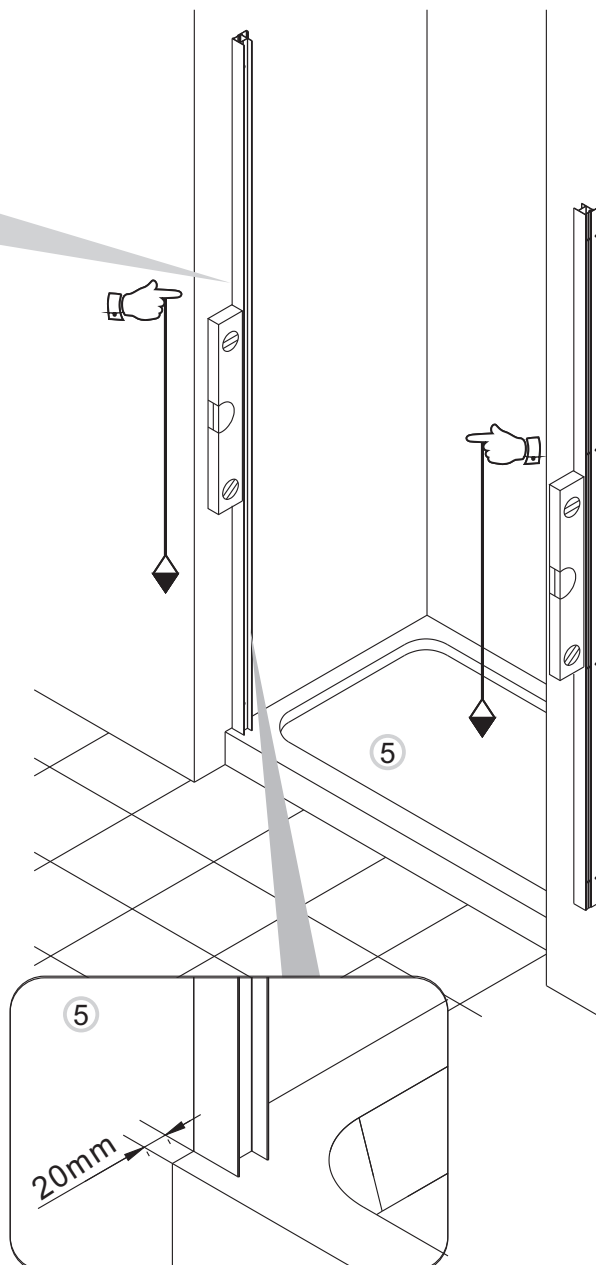
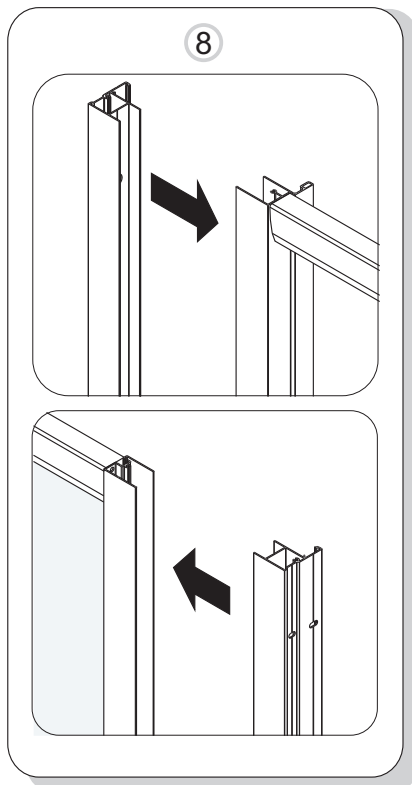
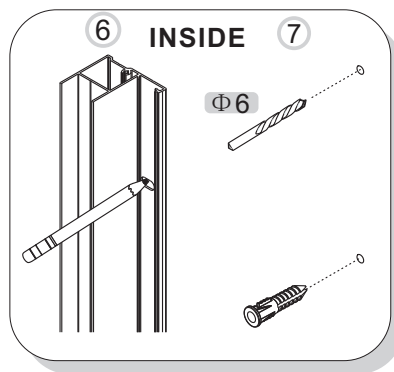
Mark the position for fixing the wall profile to the wall.

Step 7

Drill holes with 6mm masonry drill bit and insert the wall plugs **8SSJ066**.

Step 8

Slot wall profiles into door frame, then lift door onto the tray.
(If you have enough room fix the magnetic side wall profile to the wall first)



INSTALL MOVING PANEL

Step 9

Fix the wall profile to the wall with screws **8S410044**.

Step 10

Install the top and bottom double rollers **8S230010/8S230011** to the top/bottom holes of the moving panel **B**. See **X** and **Z**. (Do not over tighten screw on bottom roller as shown in **Z**). Slot top rollers into the top profile and then clip in the bottom rollers as shown in steps **A**, **B** and **C**.

Step 11

Drill 5 equally spaced holes with 3mm drill bit **8S1301152** through the nylon clip **8SSJ037**, wall profile and frame.

IMPORTANT : Ensure minimum of 9mm front edge of frame (see picture below). Fix the frame with screws **8S410047**.

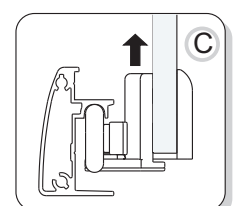
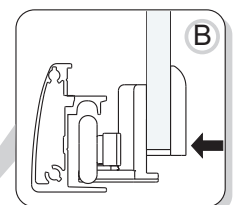
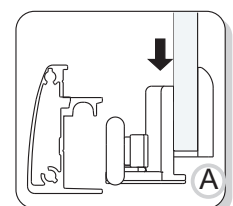
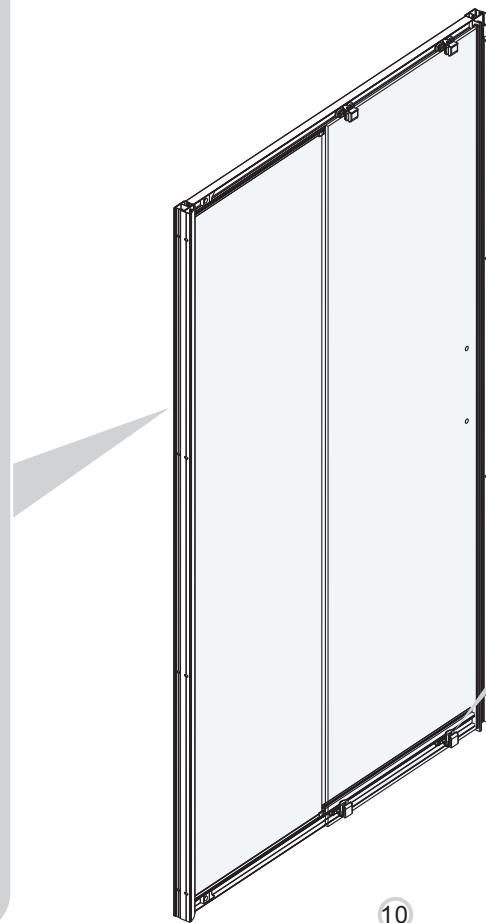
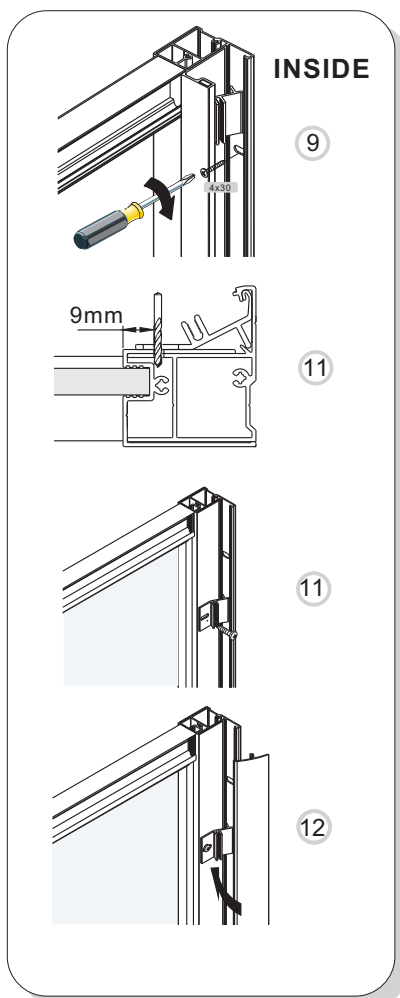
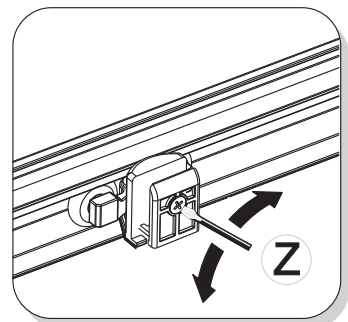
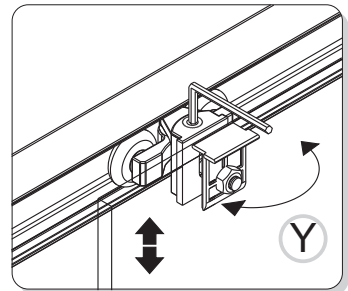
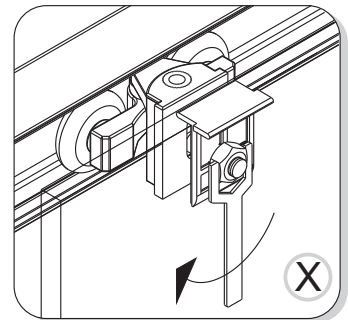
Step 12

Attach the wall profile trim strip **8SAL0002**.

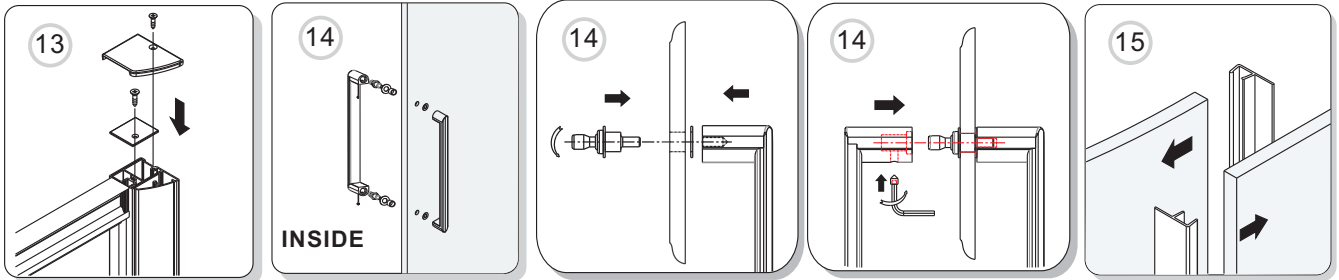
Note:

To ensure the correct rolling action and the magnets meet evenly when the doors are closed, adjust the roller by first loosening the nut **8S2300101** slightly (max half turn) as shown in **X**. Adjust the top roller up or down with hex key **8S1300511** as shown in **Y**. Tighten nut when finished.

Note: Do not over tighten bottom rollers **8S230011** to glass. See **Z**



FINISHING AND SEALING

**Step 13**

Fix the upright cover caps **8SSJ035L/R** and wall profile cover caps **8SSJ036L/R** with screw **8S410045**.

Step 14

Assemble handle onto moving panel **A**. Insert the brass screws **8SCU0323B** through the glass from the inside and screw into the outer handle **8SCU0321** (without grub screws). **Do not over tighten**. Ensure all washers are present on both sides of the glass. Then attach the inside handle **8SCU0322BL** (with grub screws facing down) onto the brass screw. Tighten grub screws to fix the handle with the hex key **8S1300511**.

Step 15

Attach the moving panel upright seal **8SSJ0508** (longer seal) to the back of the moving panel. Attach the fixed panel seal **8SSJ0503** (shorter seal) to the front of the fixed panel. Ensure they are resting on the bottom fixed glass clip. Remove excess silicone from the fixed glass clip where applied in step 4.

Step 16

Use a quality silicone sealant to seal the finished door.

Sealing Inside

Seal top to bottom on the **INSIDE** between the wall profile and the wall.

Note: Do not apply sealant on inside of tray.

Sealing Outside

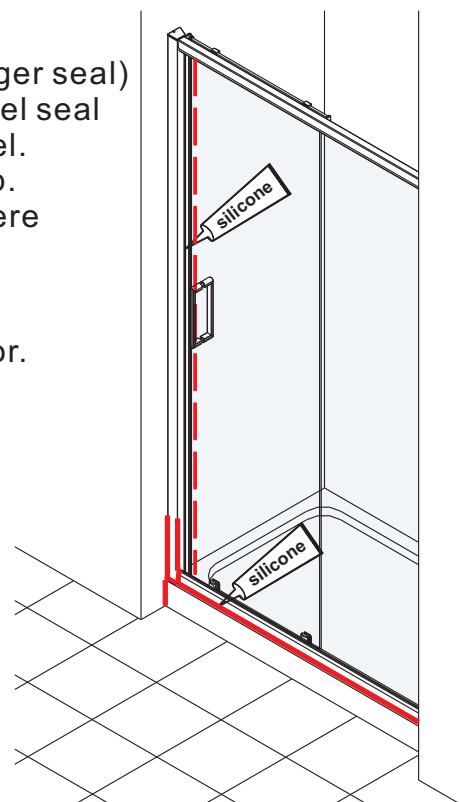
Seal only along bottom rail on the **OUTSIDE** between profile and the tray and approx 50mm up between the wall profiles and the wall.

Seal also where bottom profile and upright profile join and also where wall profiles and frame profile overlap 50mm up.

24 HRS



DO NOT USE THE ENCLOSURE FOR 24 HOURS AFTER SEALING

**SERIES 8 SLIDING DOOR**

WE ARE SURE YOU WILL BE PLEASED WITH YOUR NEW MERLYN SHOWER DOOR.

Where a shower door has been installed contrary to these instructions, Merlyn cannot accept responsibility for any loss or damage, however caused, and any on-site service may incur a charge.

www.merlynbathrooms.com

FAILURE TO FOLLOW THE INSTRUCTIONS CORRECTLY MAY INVALIDATE YOUR GUARANTEE

Trouble Shooting Guide

Sliding Door



- ① Is the tray level? (See page 3 of the site installation instructions).
- ② Have the walls been checked at different levels to ensure consistency?
- ③ Are the wall profiles stepped in 20 mm from the edge of the tray? (See step 5)
- ④ Are the wall profiles plumb (vertically aligned and checked with a spirit level)?
(See step 5)
- ⑤ Are the rollers properly adjusted? (See step 10)
- ⑥ Is the unit correctly sealed with silicone? (See step 16)
- ⑦ Do the finished measurements on the tray comply with the adjustments listed in the product specifications book?
- ⑧ Are the upright seals fitted correctly? (See step 15)
- ⑨ Have the fixed panels been properly secured? (See step 2)
- ⑩ Ensure a sufficient dab of silicone is applied between fixed clip and glass on bottom profile and upright seal is fitted to fixed panel. Then remove excess silicone. (See step 4)
- ⑪ Check to ensure the door frame is 100% square.
- ⑫ If after adjusting the rollers there is still a gap between the upright magnetic profile and door magnet in the centre or at the top AND bottom –remove the 3 middle fixings where the magnetic upright profiles are fixed to the wall profile and adjust the magnetic upright profile at the centre only in or out slightly to reduce the gap.
- ⑬ If bottom roller easy clean function does not work correctly slightly loosen screw.
(See Z on page 5)