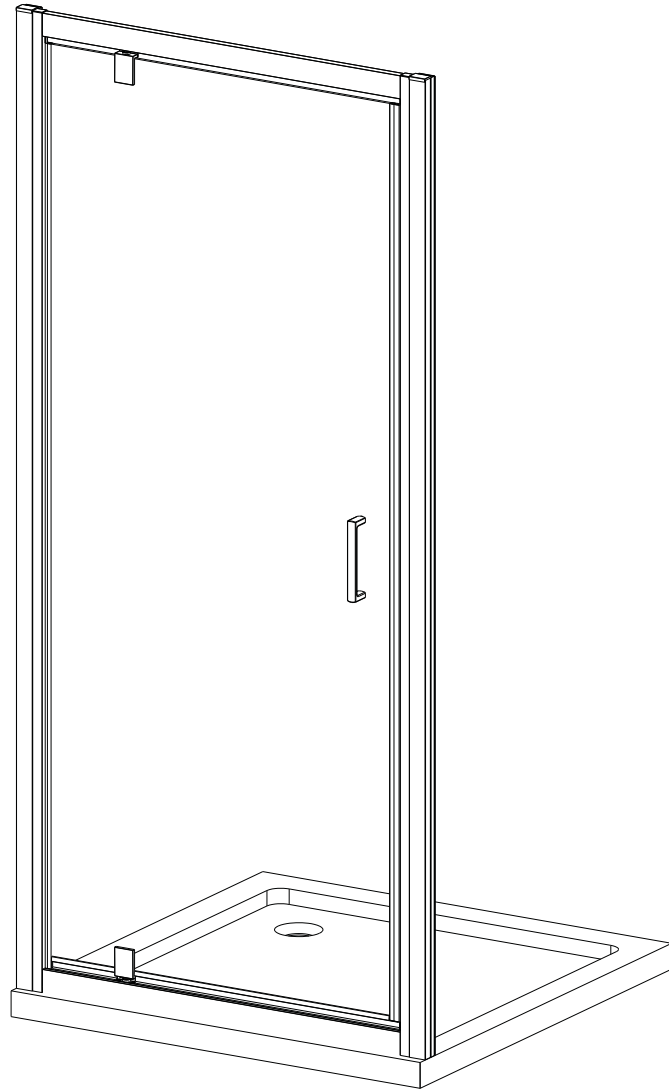


PIVOT DOOR



INSTALLATION GUIDE

IMPORTANT:Please read the complete instructions before commencing fitting.

Make sure the tray is 100% level in all directions.

Check that you have the tools required.

Check the installation site is compatible with the size of door supplied.

Check all the enclosure components are present.

Check the installation kit is complete.

Do Not attempt to install the product unless you can tick all 4 boxes.

The wall plugs supplied with the installation kit are for use in solid walls. Hollow or 'stud partition' walls will require alternative fixings. Please consult a hardware supplier for the correct type. It may also be necessary to consult your tiling supplier about the correct method for drilling your tiles.

ATTENTION: TAKE EXTREME CARE WHEN HANDLING GLASS, WEAR PROTECTIVE EYEWEAR AND CLOTHING. DO NOT LEAVE THE GLASS ON HARD SURFACES AND AVOID CONTACT BETWEEN THE GLASS EDGES AND HARD SURFACES OR IMPACTS DURING THE INSTALLATION.

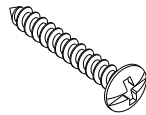
Fixing kit components



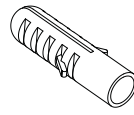
x12
2SS008



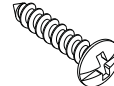
x12
2SS009



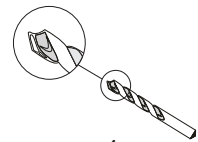
4x30mm
x6
2SY51



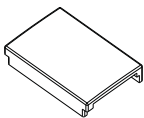
x6
2SP12



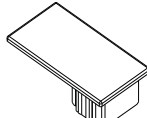
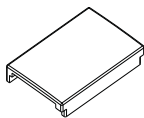
4x16mm
x6
2SY50



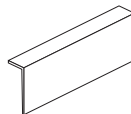
ø3mm
x1
C056



x2
MB0073/MB0074



x2
MB0075



x1
MB0081

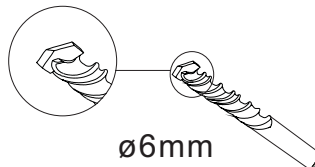
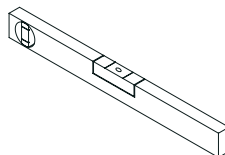
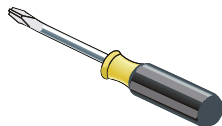
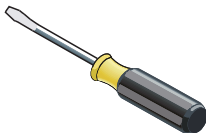
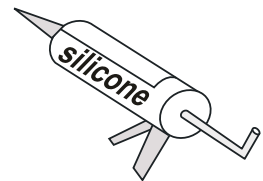
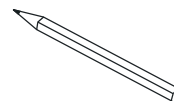
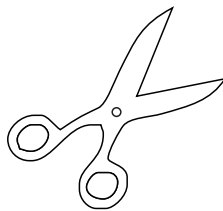
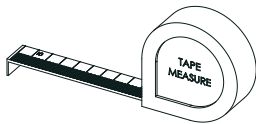


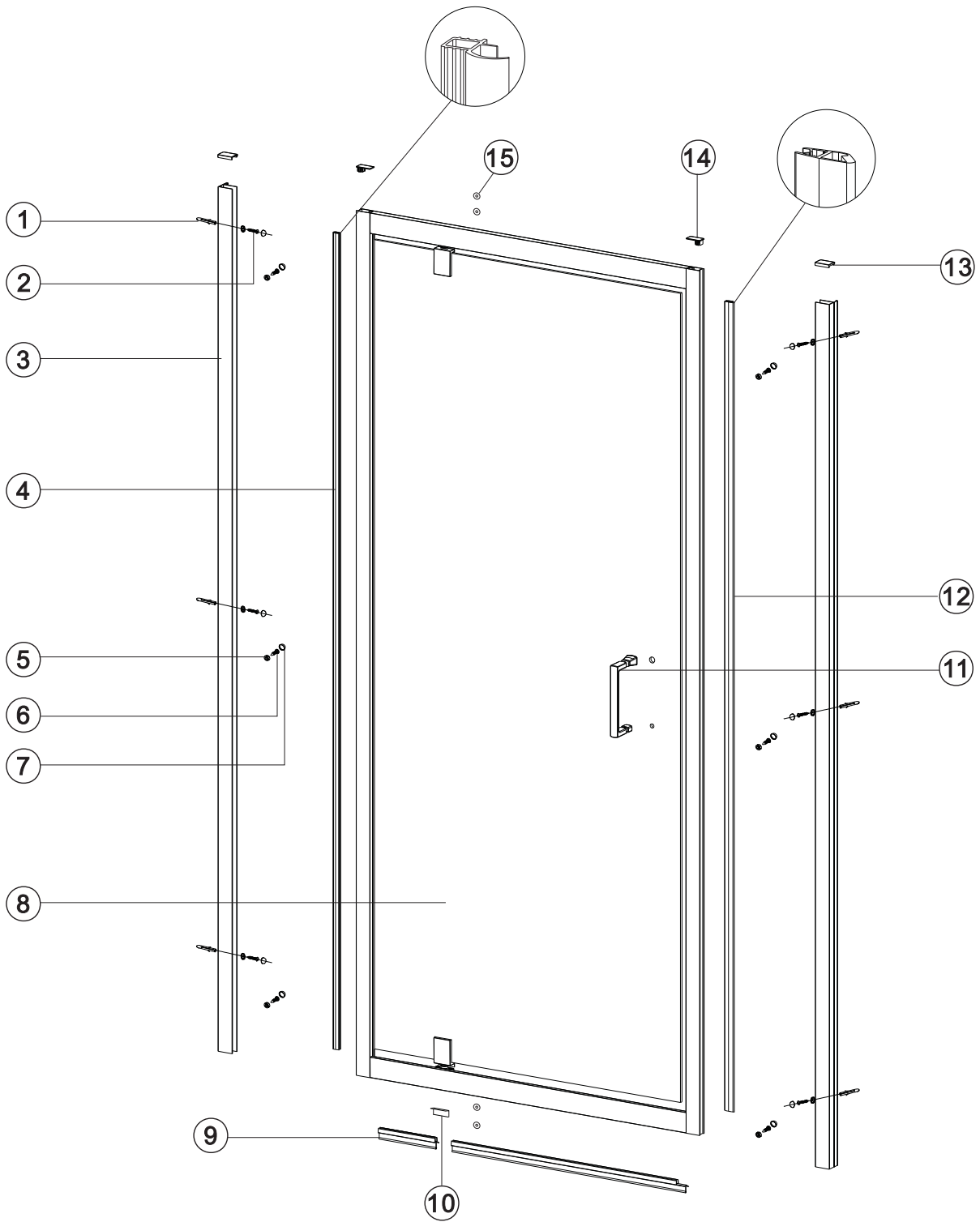
x4
M7012



x1
Handle

Tools required





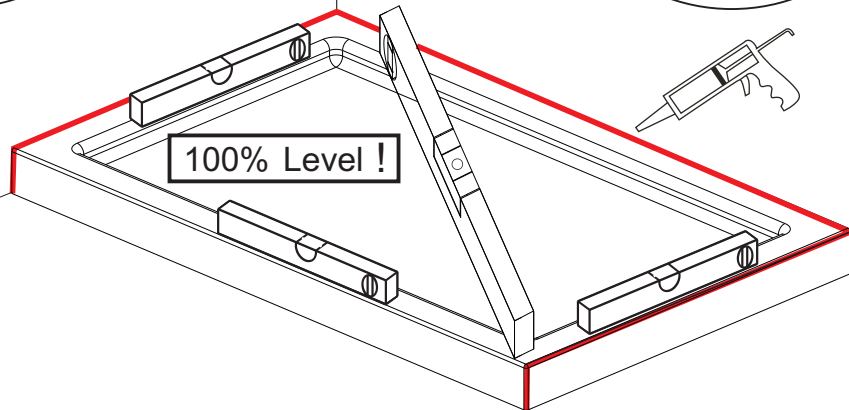
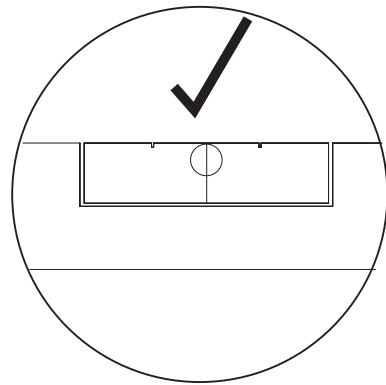
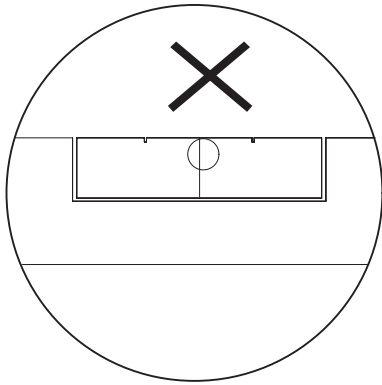
| No. | Qty | Part No. |
|-----|-----|----------|
| 1 | 6 | 2SP12 |
| 2 | 6 | 2SY51 |
| 3 | 2 | MB0001 |
| 4 | 1 | MB0053 |
| 5 | 12 | 2SS009 |

| No. | Qty | Part No. |
|-----|-----|----------|
| 6 | 6 | 2SY50 |
| 7 | 12 | 2SS008 |
| 8 | 1 | A |
| 9 | 2 | MB0054 |
| 10 | 1 | MB0081 |

| No. | Qty | Part No. |
|-----|-----|---------------|
| 11 | 1 | Handle |
| 12 | 1 | MB0045 |
| 13 | 2 | MB0073/MB0074 |
| 14 | 2 | MB0075 |
| 15 | 4 | M7012 |

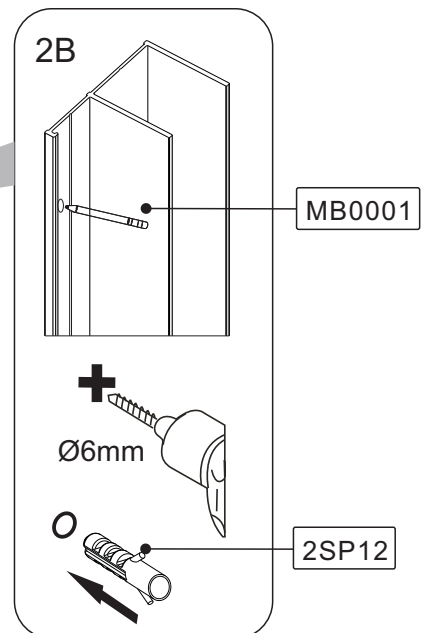
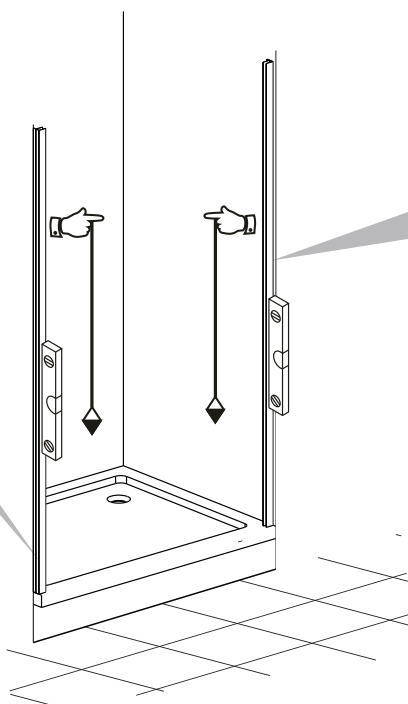
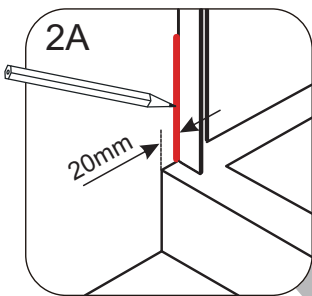
1

Please ensure your tray is 100% level in all directions before you fit your enclosure

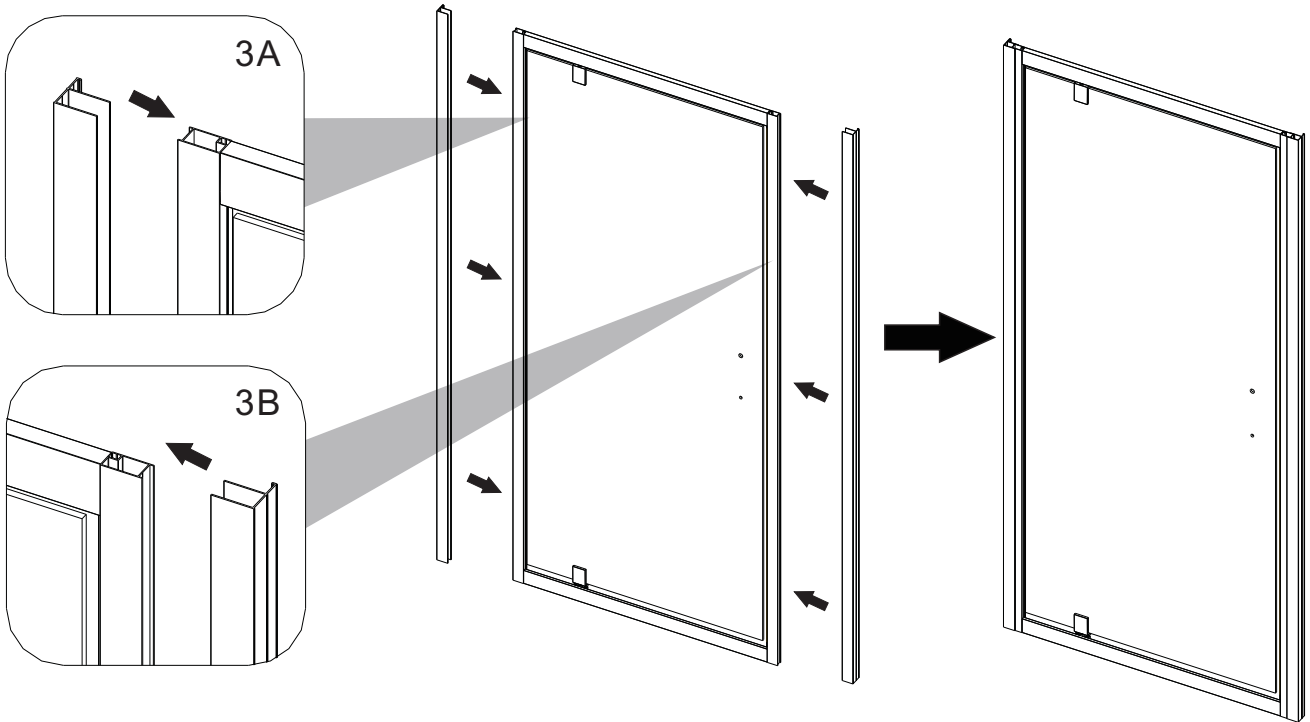


2

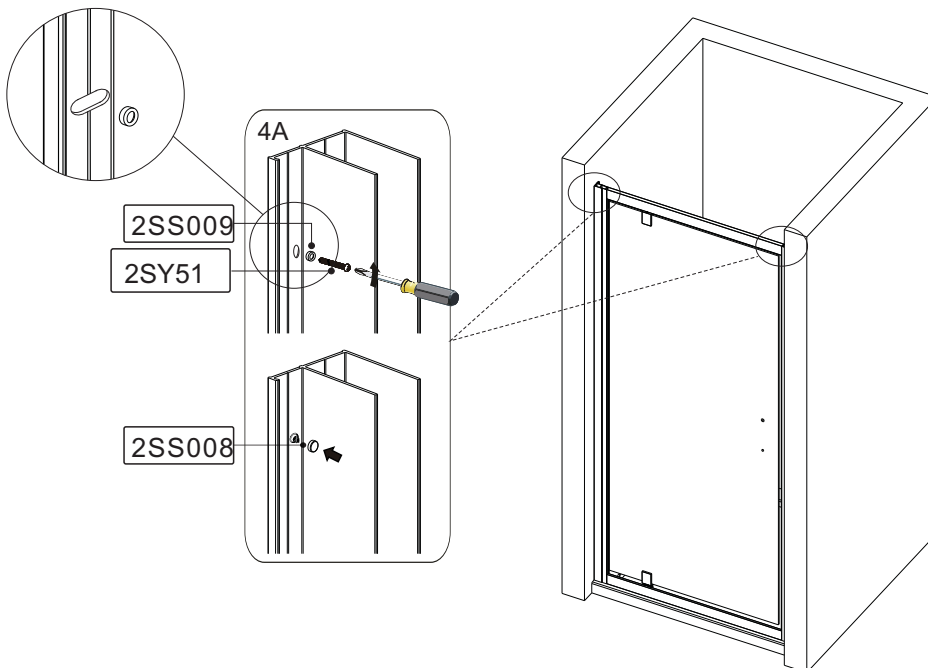
Determine your step in from the edge of the tray. 20mm is recommended. Plumb your wall profiles on each side then mark and drill your fixing positions. You can then remove your wall profiles and begin the frame assembly off the tray.



- 3 When fitting a fully framed product into a recess you must push the wall profiles onto the uprights and then lift onto the tray. This is done as fitting the wall profiles first in a tight recess may lead to difficulty later when fitting the door.



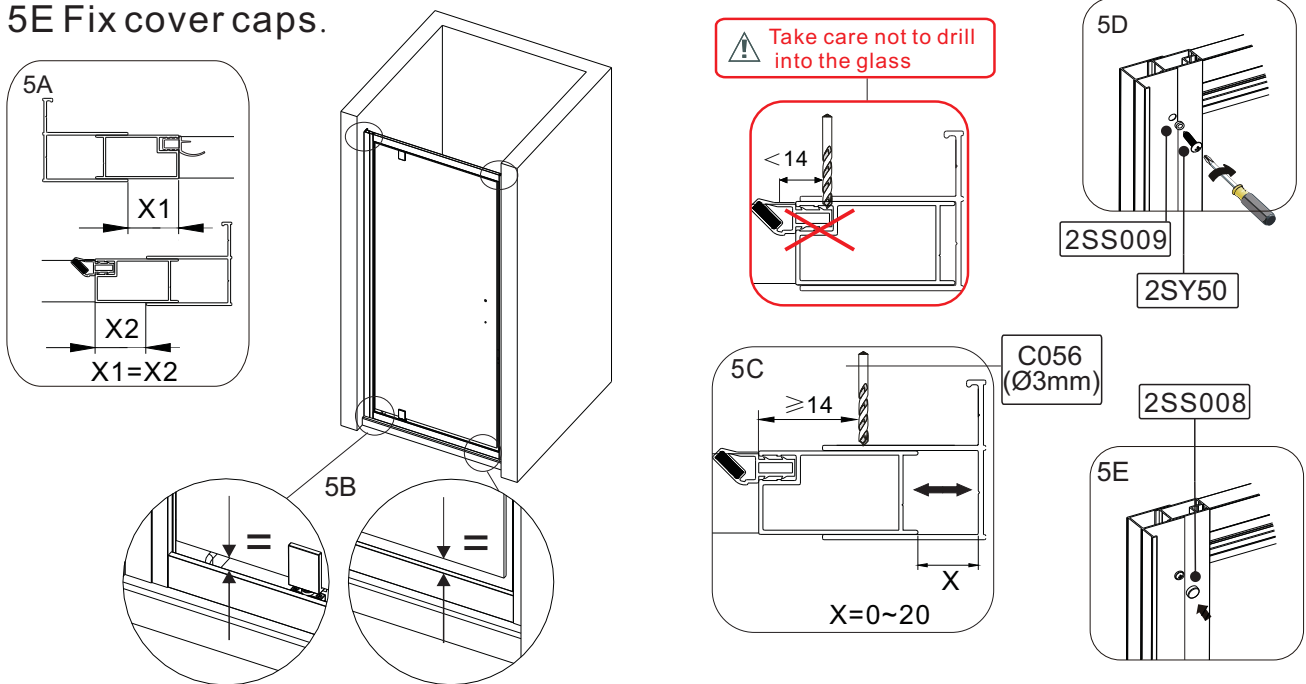
- 4 When the enclosure is in position fix the wall profiles to the walls using the fixing screws provided.



NOTE! Fix the screw through the center of the slot. This is necessary to allow enough room either side for the screw cover caps

5

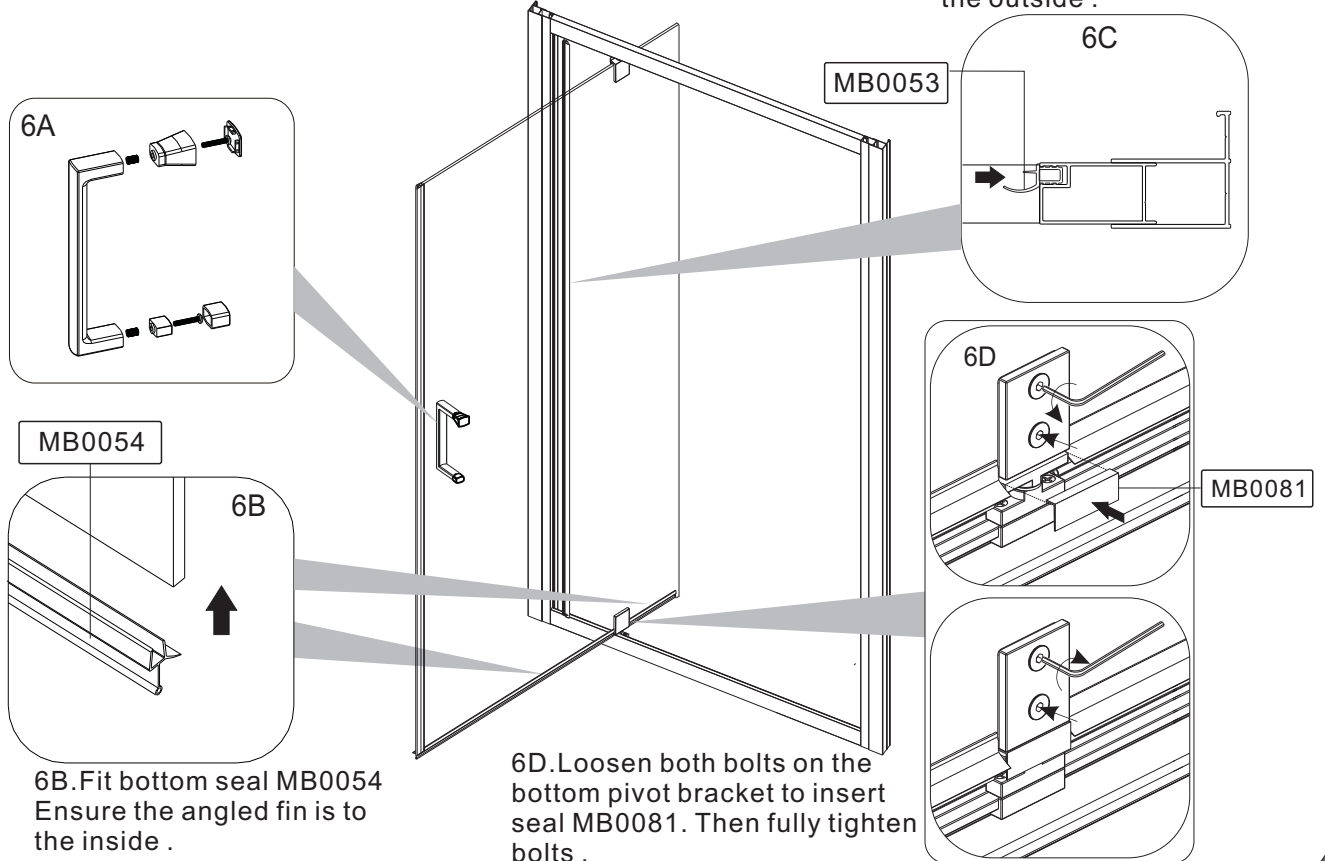
- 5A Equalise the adjustment of the frame in the wall profile on both sides.
- 5B Make sure the gap between the bottom edge of the glass and the frame is equal on each side.
- 5C From inside drill the frame top, middle and bottom making sure to step in a Min. 14mm from the edge of the frame.
- 5D Fix the frame with screws and cover clips.
- 5E Fix cover caps.



6

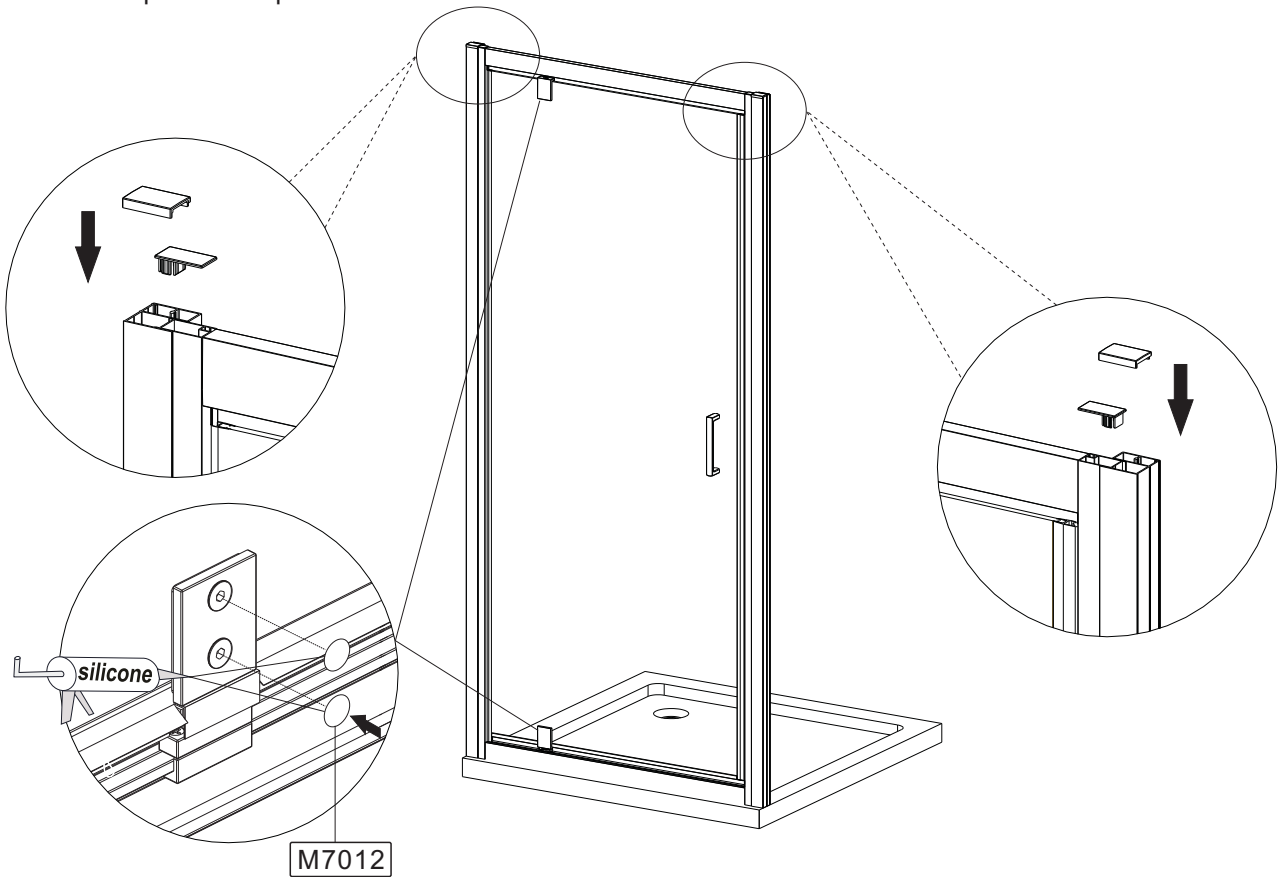
Fit the handle

Fit upright seal MB0053
Ensure the long fin is to the outside .



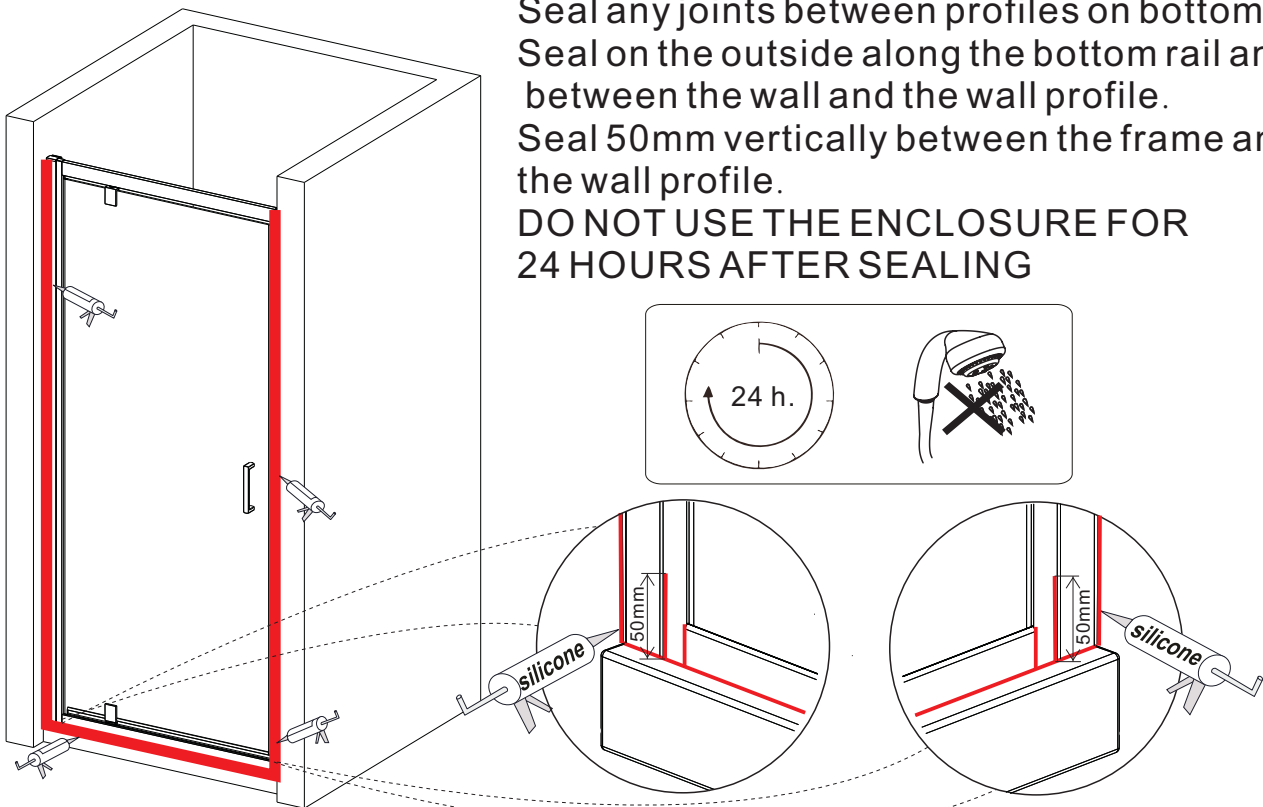
7


Fit the top cover caps



8

Use a quality sealant to seal the finished door. Seal any joints between profiles on bottom. Seal on the outside along the bottom rail and between the wall and the wall profile. Seal 50mm vertically between the frame and the wall profile.
DO NOT USE THE ENCLOSURE FOR 24 HOURS AFTER SEALING



| | |
|---|-------|
|  | |
| Merlyn Industries LTD (MER09) | |
| DOP:CENMB1.1 | |
| 16 | |
| EN 14428 | |
| Shower enclosures with aluminium profiles and safety glass | |
| Cleanability | :Pass |
| Impact resistance/ shatter properties | :Pass |
| Durability | :Pass |

To download the Declaration of Performance (DOP) for this product please use the link below.
<https://merlynshowering.com/wp-content/uploads/2016/11/New-MBox-Enclosures-DOP-CENMB1.1.pdf>