

2 DOOR QUADRANT



IMPORTANT

Thank you for choosing Merlyn. Please familiarise yourself with the fitting instructions before commencing fitting.

1. Check that you have the tools required.
2. Check that the installation site is compatible with size of door supplied
3. Check all the enclosure components.
4. Check that the installation kit is complete

DO NOT attempt to install the product unless you can tick ALL 4 boxes as satisfactory.

The wall plugs supplied with the installation kit are for use in solid walls. Hollow or 'stud-partition' walls will require alternative fixings. Please consult a hardware supplier for the correct type.

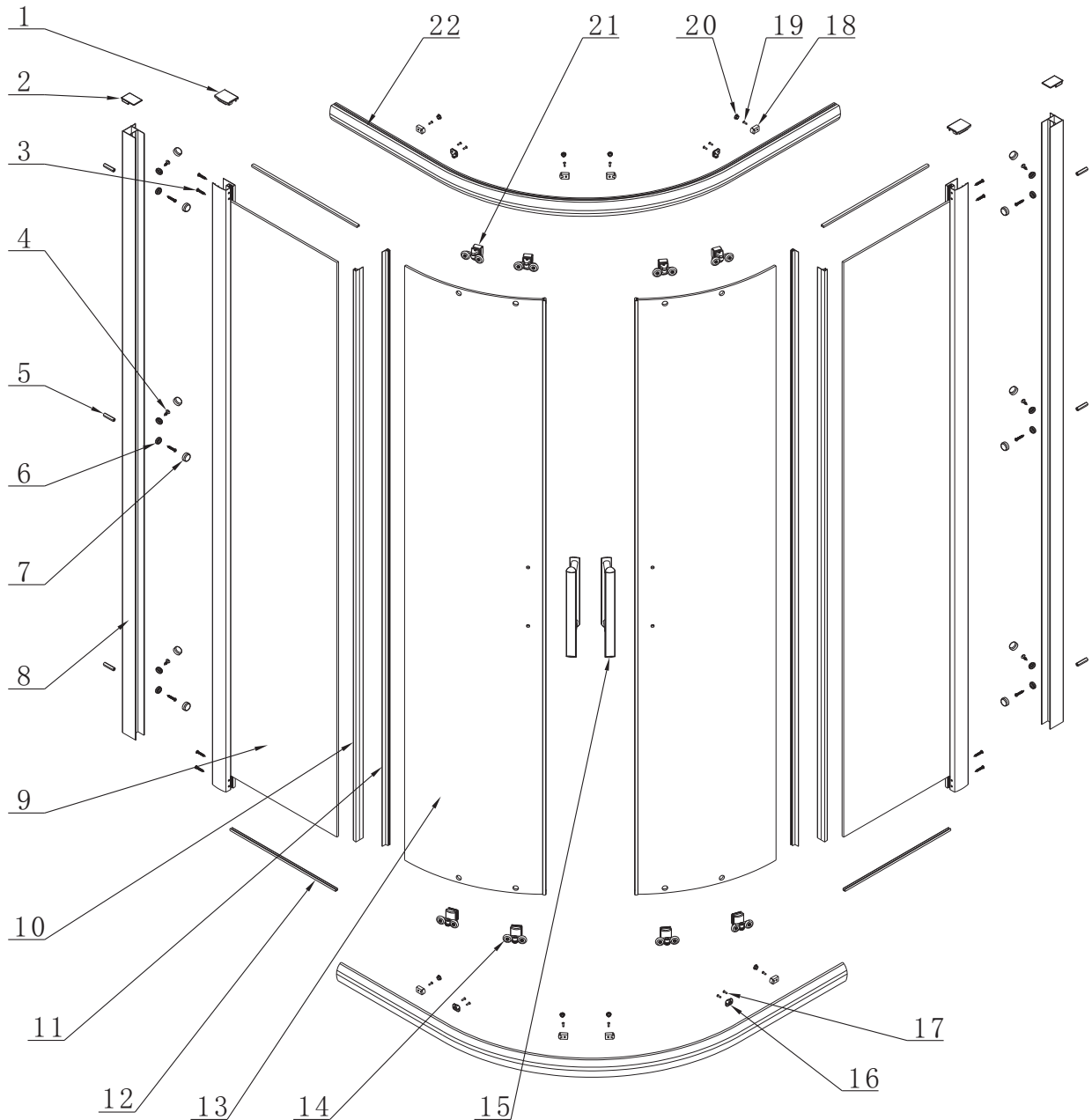
It may also be necessary to consult your tiling supplier about the correct method for drilling your tiles.

USE SAFETY EYEWEAR WHEN DRILLING

Any parts missing or damaged must be reported to your supplier within 5 days of purchase. Inspect shower enclosure before fitting. No claims will be acceptable after product has been installed.

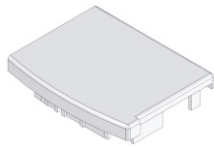
ATTENTION: TAKE EXTREME CARE WHEN HANDLING GLASS, WEAR PROTECTIVE EYEWEAR AND CLOTHING. DO NOT LEAVE THE GLASS ON HARD SURFACES AND AVOID CONTACT BETWEEN THE GLASS EDGES AND HARD SURFACES OR IMPACTS DURING THE INSTALLATION



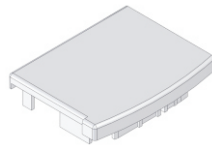


No.	Description	QTY	Part No.	No.	Description	QTY	Part No.
1	Cover cap for upright profile L/R	2	V2101L/R	12	Bottom seal	4	V3211
2	Cover cap for wall profile	2	V2104	13	Moving panel	2	B
3	B head screw ST4×30	14	V4111	14	Bottom roller	4	S6LL8060
4	Flat head screw ST4×12	6	V4110	15	Handle	2	S6HDLE
5	∅6×30 wall plug	6	V6113	16	Glass clip	4	V6106L/R
6	Screw cover cap clip	12	V2114	17	Glass clip screw	8	V4101
7	Screw cover cap	12	V2109	18	Roller stop	8	V6105
8	Wall profile	2	S6S01	19	Roller stop screw	8	V4109
9	Flat fixed panel	2	A	20	Roller cover cap	8	V2111
10	Upright water seal for fixed panel	2	S6LC8433	21	Top roller	4	S6LL8059
11	Upright water seal for moving panel	2	S6LC83291871	22	Rail	2	C

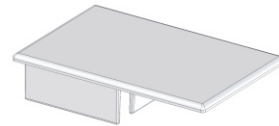
Note: Further part details for fixing kit available on page 2



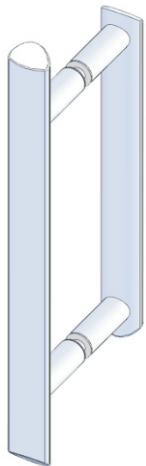
V2101L
X1



V2101R
X1



V2104
X2



S6HDLE
X2



S6HDLEP1 X2



S6HDLEP2 X2



S6HDLEP3 X4



S6HDLEP4 X4



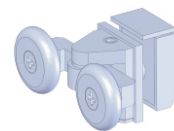
S6HDLEP5 X8



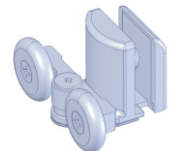
S6HDLEP6 X4



S6HDLEP7 X1



S6LL8059
X4



S6LL8060
X4



V2109
X12



V2114
X12



V6113
X6



V4111
X14



V4110
X6



V6115
X1

Tools Required

- 6mm masonry drill bit
- Spanner
- Power drill
- Quality Silicone
- Pencil
- Tape Measure
- #2 Philips Head screw driver
- Spirit level with horizontal and vertical level indicators

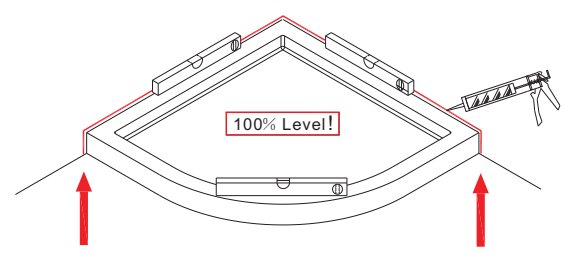
IMPORTANT - Installation site

1. Ensure the top surface of the shower tray on which the enclosure will be installed is level in every direction.
2. The tiles or other wall finishing should be effectively sealed at the tray edges.
3. Tiles should extend at least to the corners of the tray and a minimum of 2.0 metres from the top of the tray.

PROCEDURE

TRAY MUST BE 100% LEVEL IN ALL DIRECTIONS

Ensure the shower tray is level in all directions and is properly sealed to the wall. The wall must be tiled down to the top edge of the tray. **Do not angle out bottom tile.**



TRAY MUST BE SEALED FULLY AROUND WHERE THE TRAY MEETS THE WALL.

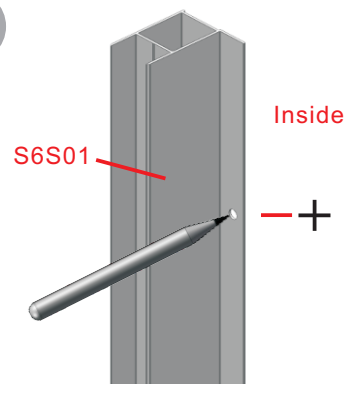
Step 1.

Step in wall profile 20mm from the front edge of the shower tray. Ensure wall profile is plumb
Do not silicone behind wall profile to wall, see sealing section.

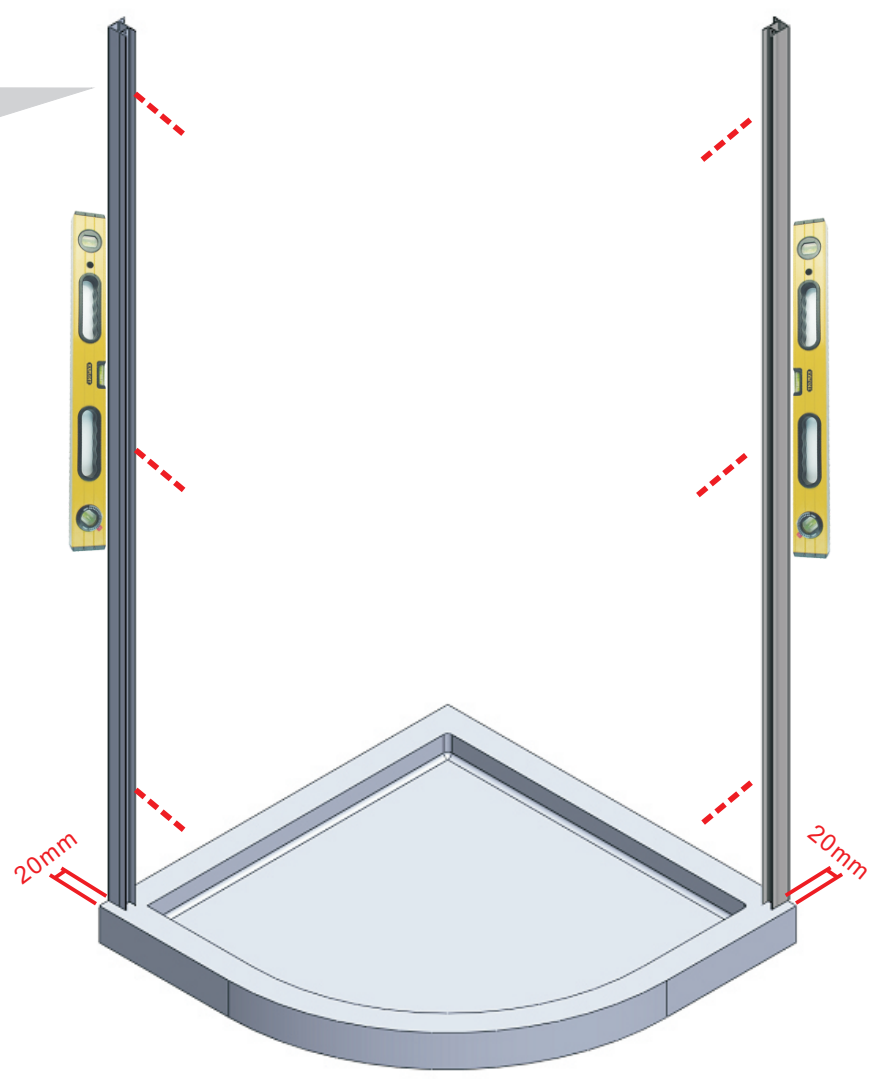
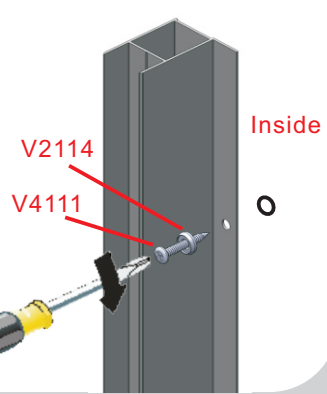
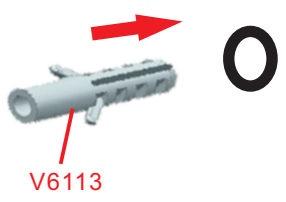
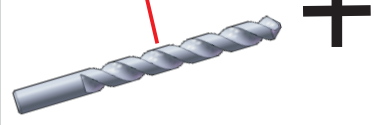
Step 2.

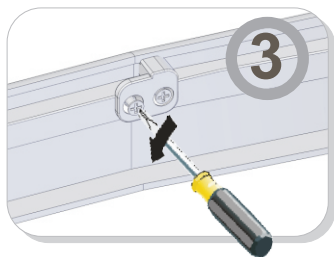
Mark the position for fixing the wall profile to wall.

2

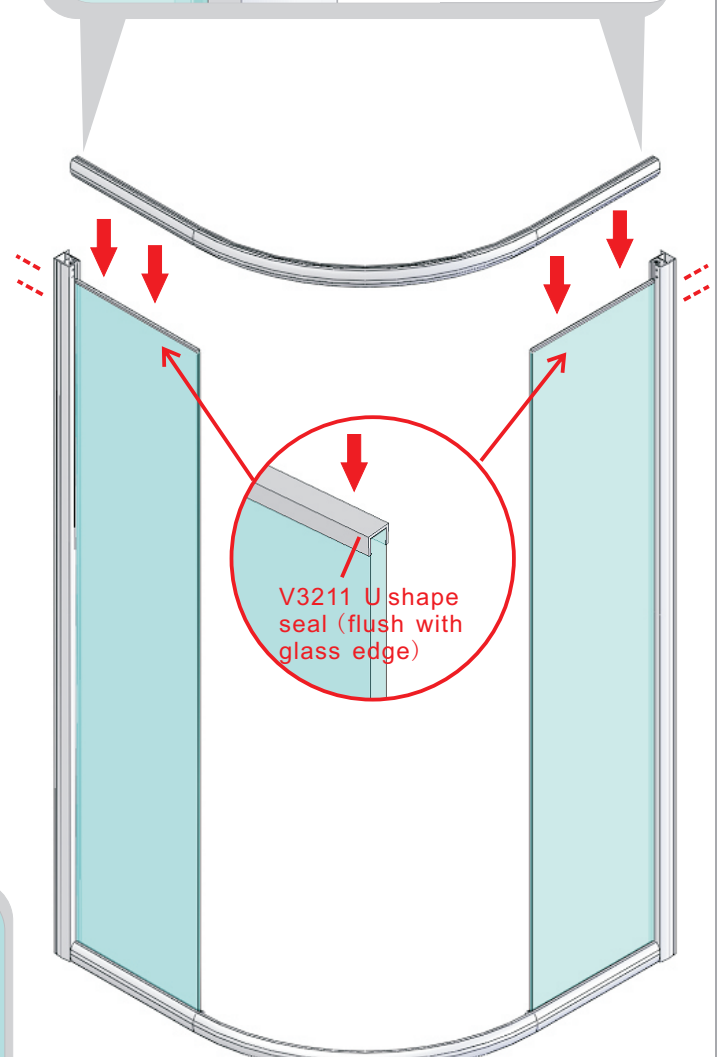
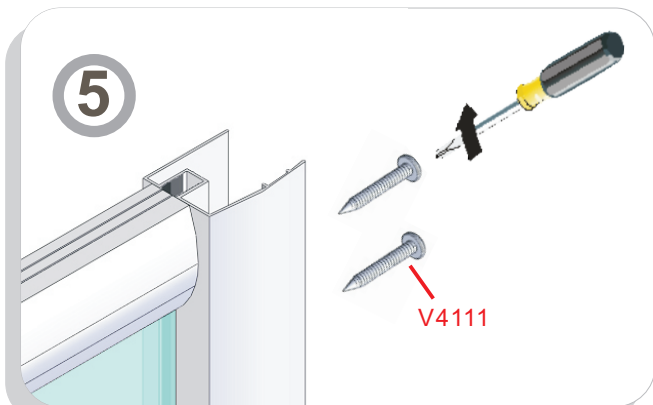


Ø6mm masonry drill bit

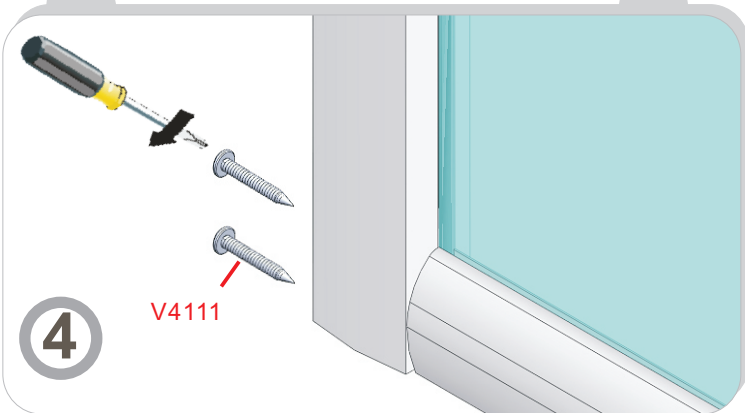
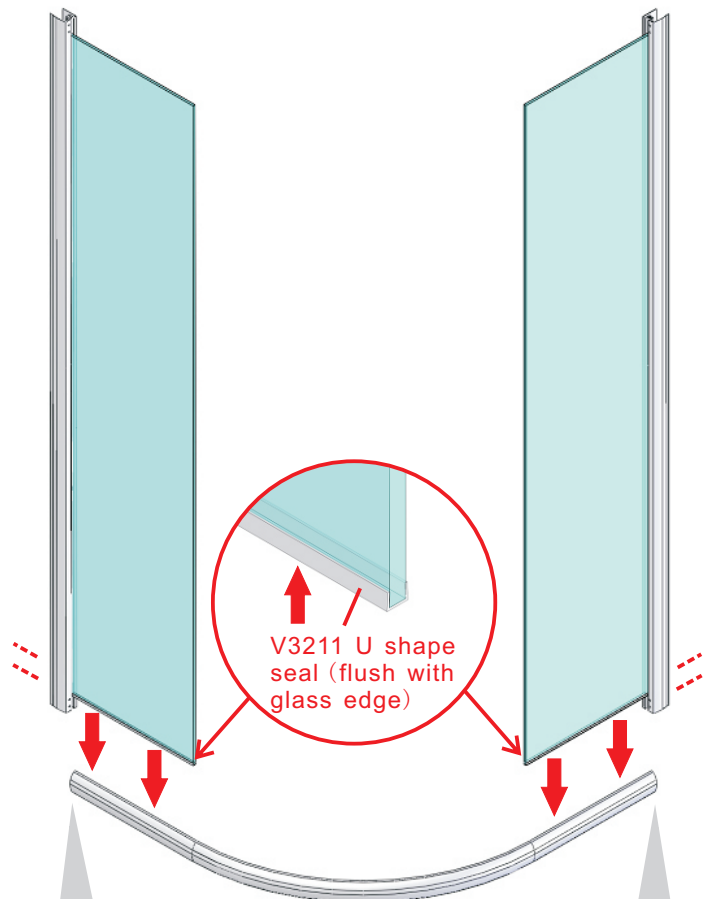




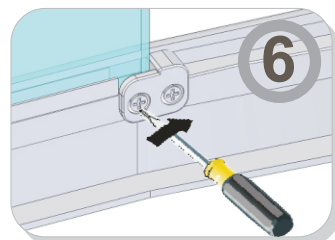
Step 3.
Loosen fixed glass panel clip.
Do not remove the screw.



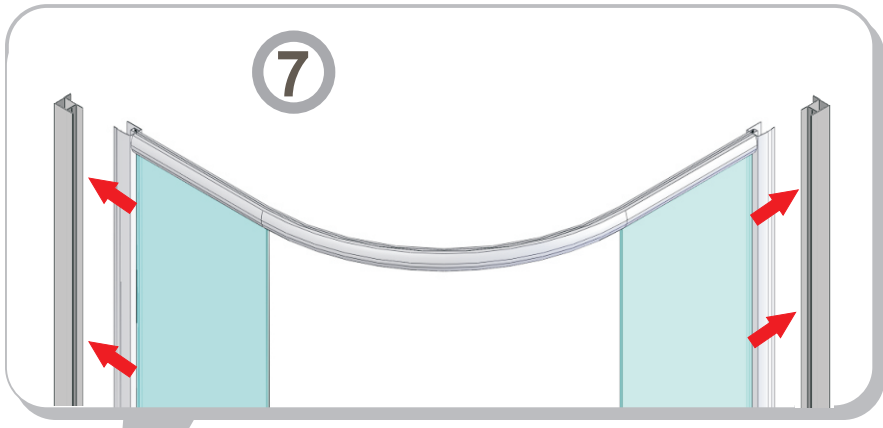
Step 5.
Fit the wall profiles to the assembled frame.



Step 4.
Place fixed panel gasket onto bottom edge of glass.
Then fix the two fixed panels and upright profiles to the bottom rail, using **V4111** screw.

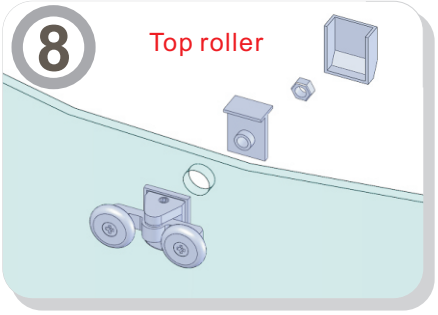
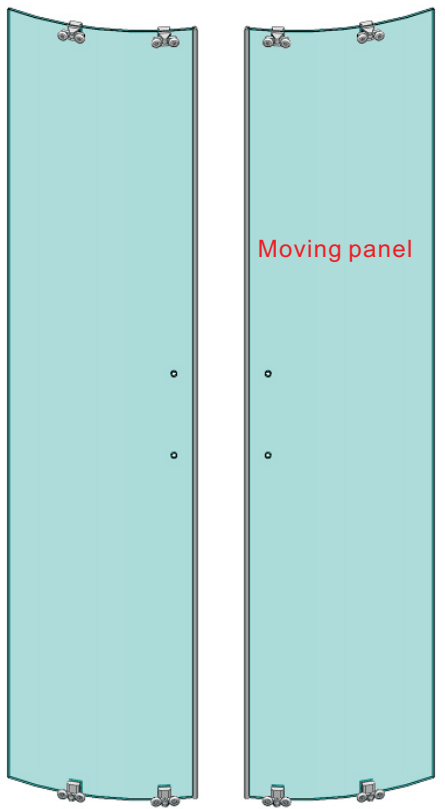
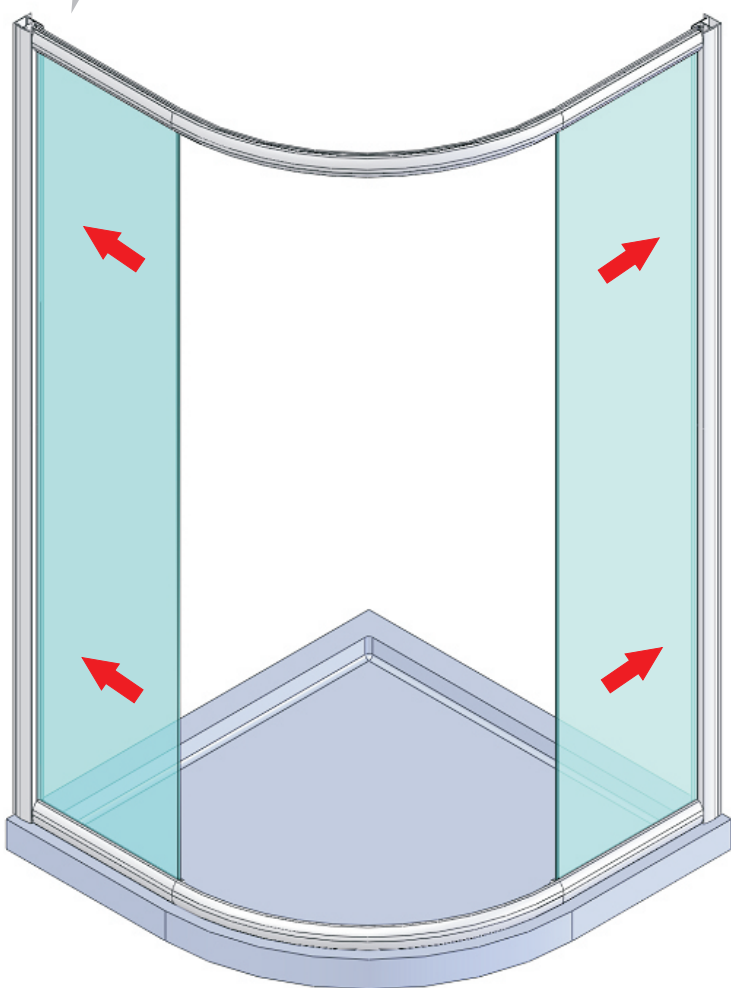


Step 6.
Tighten fixed glass panel clip.



Step 7.
Position the assembled frame onto the tray and slide over the wall profile.

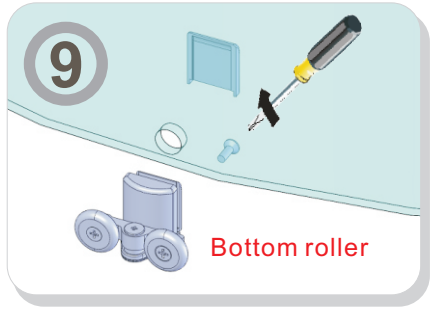
NOTE: In a situation where you are close to the minimum adjustment, fit only 1 wall profile to the wall and put the second wall profile into the frame, position the frame onto the tray and then fix the second wall profile to the wall.



Step 8.
Assemble the top rollers using spanner.

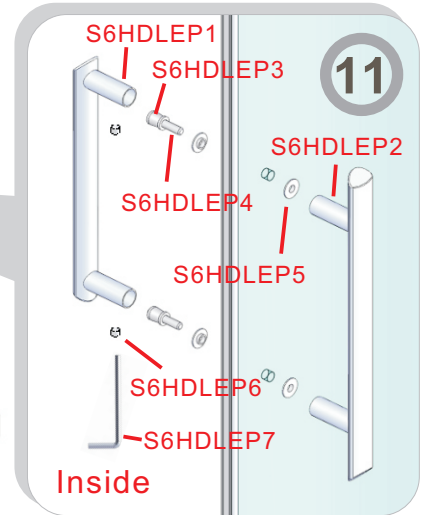
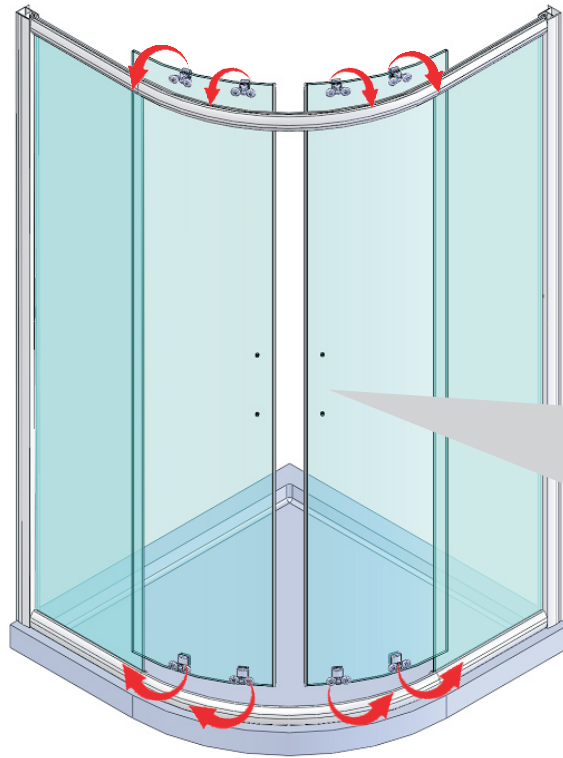
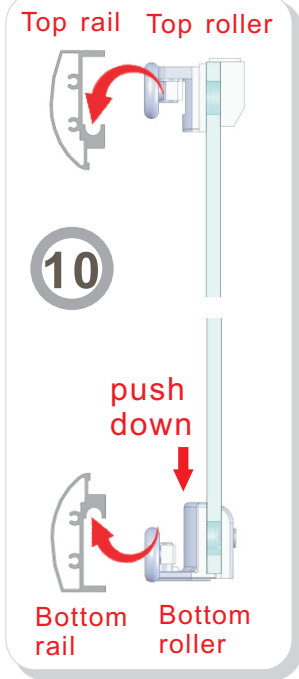
Step 9.
Assemble the bottom rollers using screw driver.

Important: Bottom rollers has spring for easy clear function.



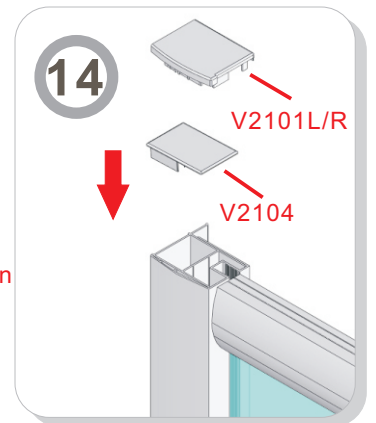
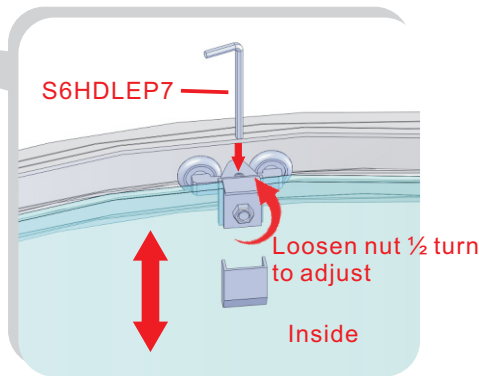
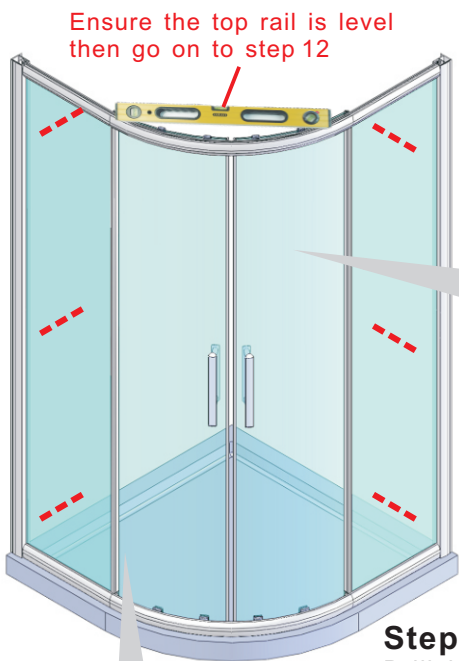
Step 10.

Hang the moving panel to the top rail, then push the bottom rollers to bottom rail.



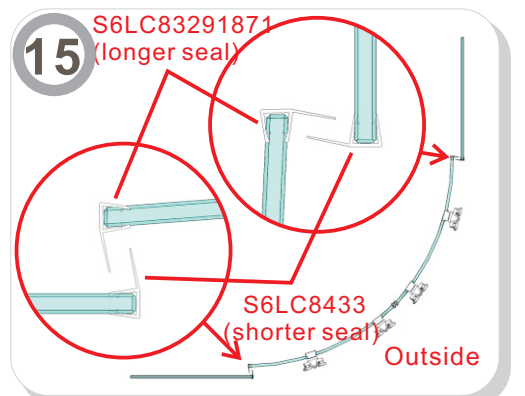
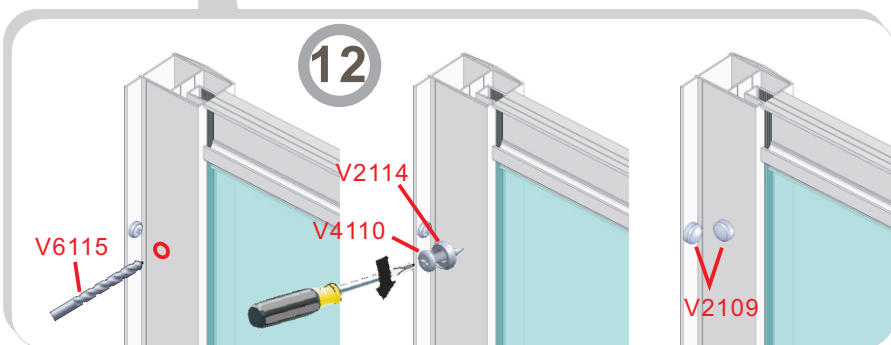
Step 13.

If the moving panels are not closing correctly, or there is any gap between the magnets, adjust the roller by first loosening the nut behind the roller slightly (max half turn). Then adjust screw at the top of the roller and tighten nut. Ensure bottom rollers are running properly in the bottom track.



Step 12.

Drill through upright and wall profile in 3 places, top to bottom as shown.



Step 16.

Use a quality silicone sealant and applicator gun to seal the finished door.

SEALING INSIDE

Seal top to bottom on the **INSIDE** between the wall profile and the wall.

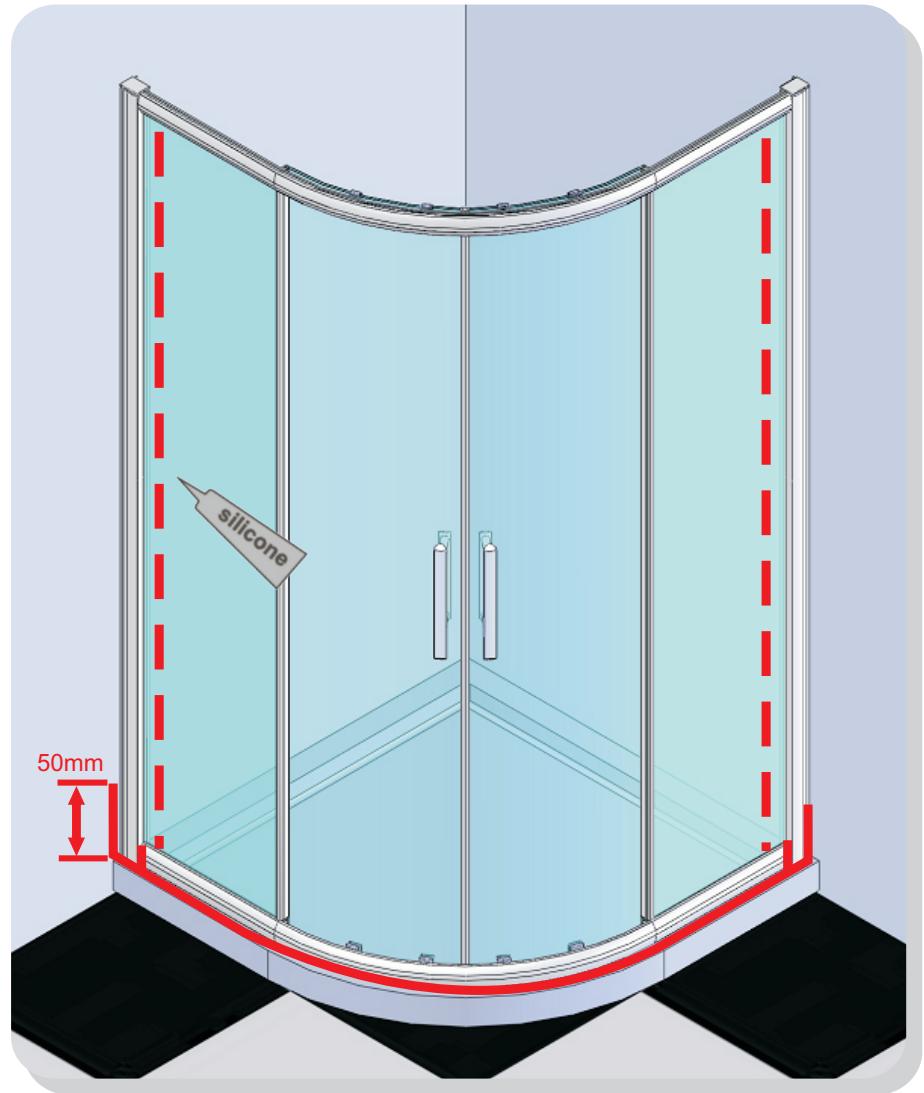
Note: Do not apply sealant on the inside of the tray.

SEALING OUTSIDE

Seal only along bottom on the **OUTSIDE** between glass/rail/profile and the tray and approx 50mm up between the wall profile and the wall. Seal at vertical joints on bottom of frame on outside only.



DO NOT use the enclosure for 24 hrs



TROUBLE SHOOTING GUIDE

DOOR NOT ALIGNING

1. Is the tray 100% level? (see page 3)
2. Have the walls been checked at different levels to ensure consistency?
3. Are the wall profiles stepped in 20mm from the edge of the tray? (see step 1)
4. Do the finished tile measurements on the tray comply with the adjustment listed on the label and in the specifications book?
5. Are the rollers adjusted so the bottom rollers are running and not rattling in the bottom track.(see step 10,13)
6. Is the top rail level? (see step 12)

DOOR LEAKING

1. Have the rollers been adjusted so there is no gap between the magnets. (See step 13)
2. Is the upright seal fitted? (see step 15)
3. Is the door sealed correctly? (see step 16)

To download the Declaration of Performance (DOP) for this product please use the link below.
<https://merlynshowering.com/aftersales-support/dop-certs/>