

Installation Guide

MB3 Two panel curved Bath screen

IMPORTANT
Please read the complete instructions
before commencing fitting.

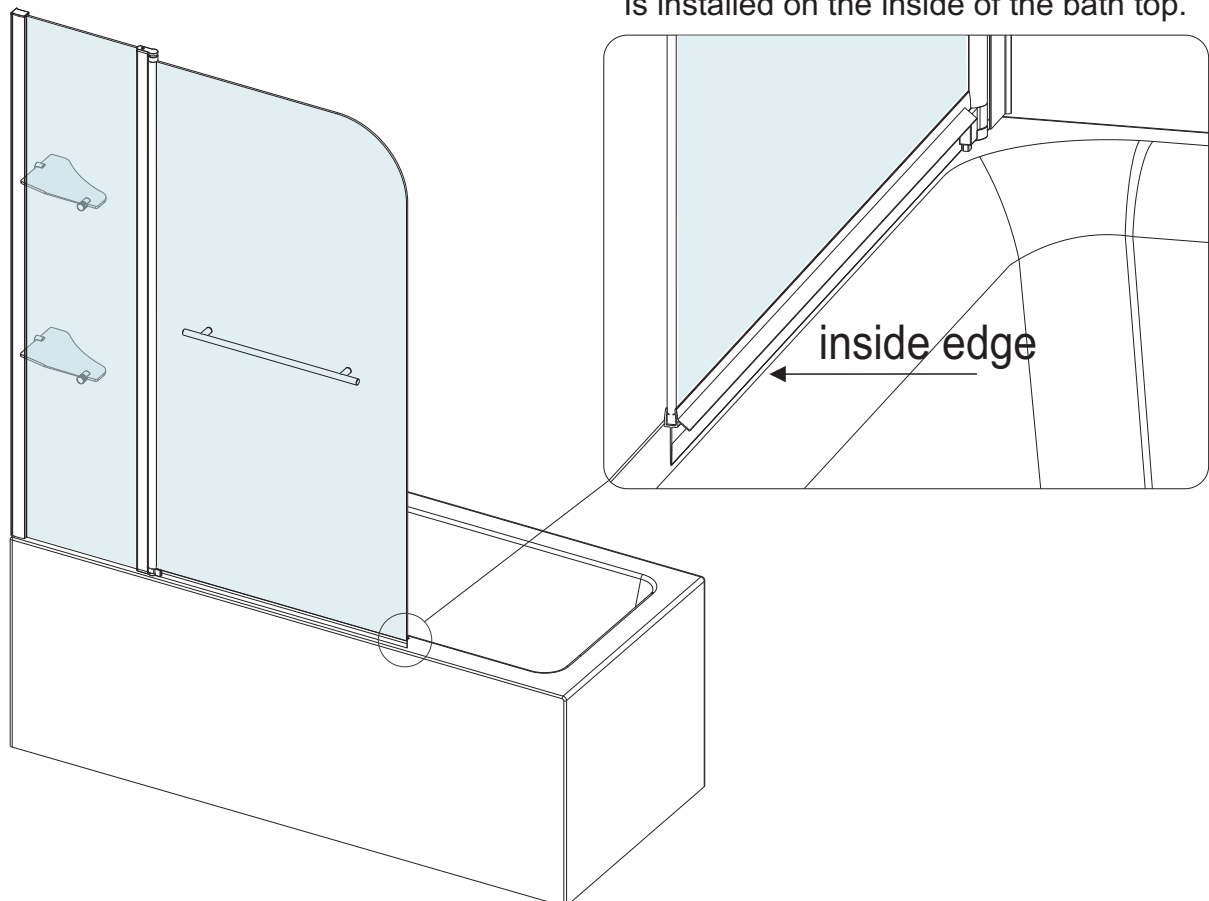
Do Not attempt to install the product unless you can tick all 4 boxes satisfactorily

- Check that you have the tools required
- Check the installation site is compatible with the sizes of door supplied
- Check all the enclosure components are present
- Check the installation kit is complete

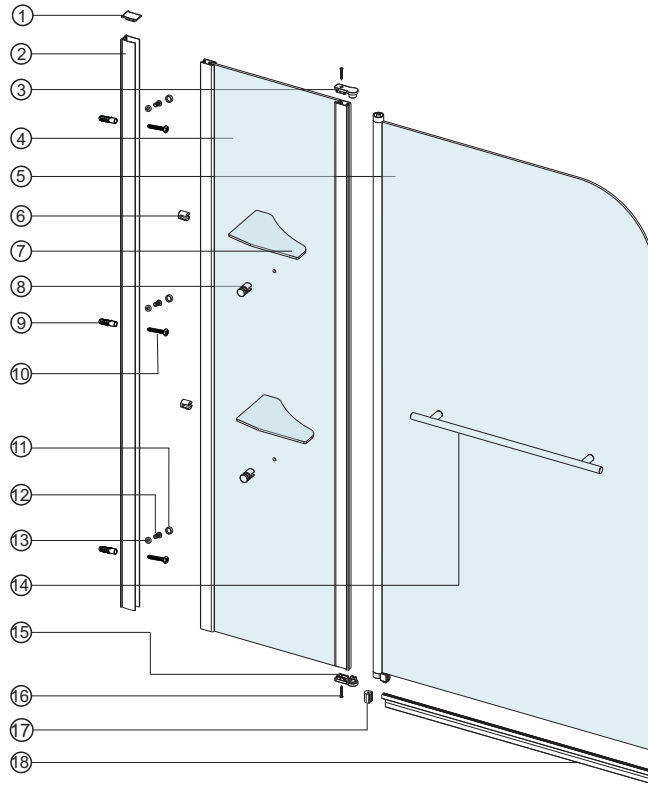
The wall plugs supplied with the installation kit are for use in solid walls. Hollow or 'stud partition' walls will require alternative fixings. Please consult a hardware supplier for the correct type. It may also be necessary to consult your tiling supplier about the correct method for drilling your tiles

**ATTENTION: TAKE EXTREME CARE WHEN HANDLING GLASS.
WEAR PROTECTIVE EYEWEAR AND CLOTHING.
DO NOT LEAVE THE GLASS ON HARD SURFACES AND AVOID
CONTACT BETWEEN THE GLASS EDGES AND HARD SURFACES OR
IMPACTS DURING THE INSTALLATION**

NOTE: Please ensure the bathscreen is installed on the inside of the bath top.

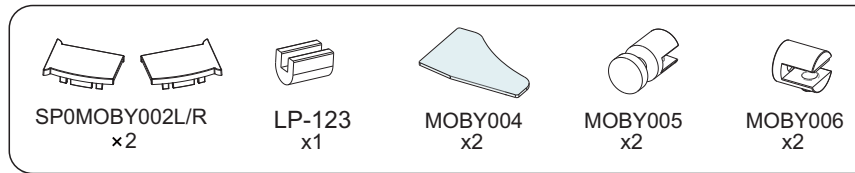
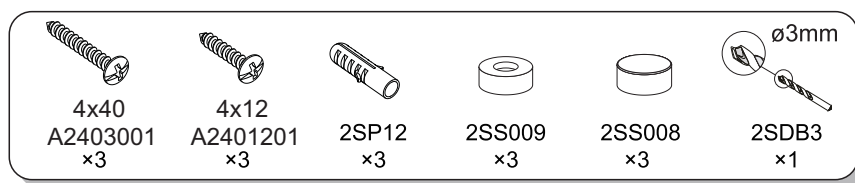


COMPONENTS AND BOX CONTENTS



No.	Description	Qty	Part No.	No.	Description	Qty	Part No.	No.	Description	Qty	Part No.	No.	Description	Qty	Part No.
1	Wall profile cover	2	SP0MOBY002L/R	6	Shelf wall bracket	2	MOBY006	11	Screw Cover Cap	3	2SS008	16	Screw(3.5X30mm)	2	SP0M7029
2	Wall profile	1	LR8387C	7	Perspex shelf	2	MOBY004	12	Screw(4X12mm)	3	A2401201	17	foam plastics	1	LP-123
3	Bracket top Leakfree	1	SP0LF01	8	Shelf glass bracket	2	MOBY005	13	Screw Cover Cap Clip	3	2SS009	18	Clear Seal	1	SP0LFCS
4	Fixed Glass Panel	1	B	9	Wall Plug	3	2SP12	14	Towel rail	1	BSYS025C	19			
5	Moving Glass Panel	1	A	10	Screw(4X40mm)	3	A2403001	15	Bracket bottom Leakfree	1	SP0LF02	20			

Fixing Kit components

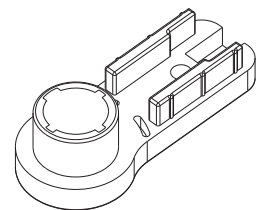


Tools required

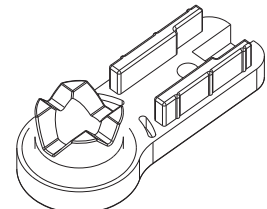
- 6mm Masonry drill bit
- Power drill
- Neutral cure anti bacterial silicone
- Pencil
- Tape measure
- PH2 Philips Head screw driver
- Spirit level with horizontal and vertical level indicators

IMPORTANT - Installation Site

1. Ensure your bath is level before fitting. This screen is not designed to fit on baths with stepped fronts, roll top rims or integral soap dishes.
2. The tiling or other wall finishing should be effectively sealed at the bath edges.



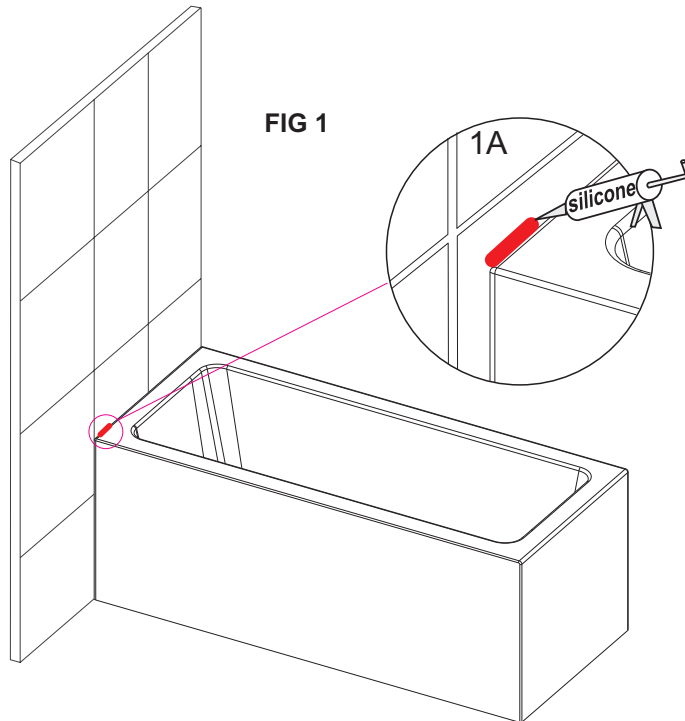
Top Bracket
SP0LF01
x1



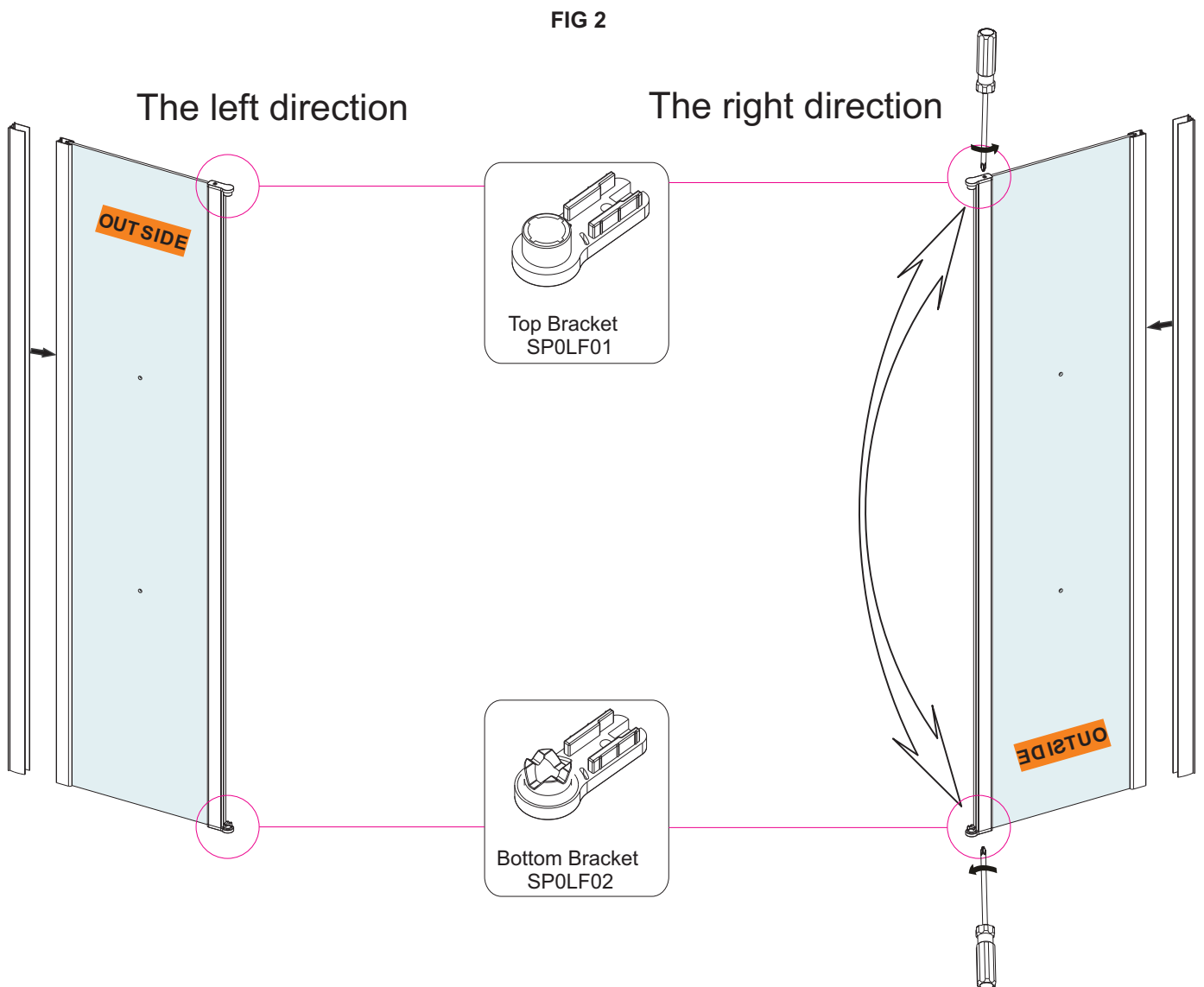
Bottom Bracket
SP0LF02
x1

INSTALLATION

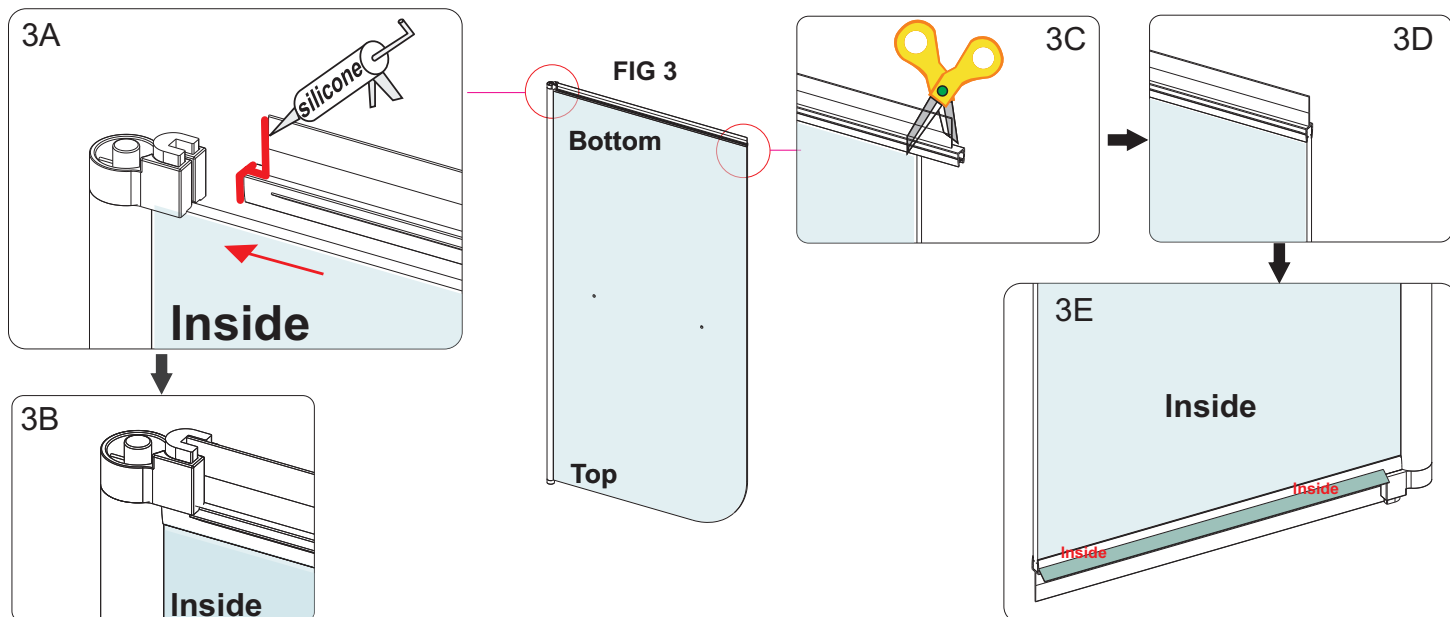
1. Silicone on the bath edge if not siliconed previously **fig 1**.



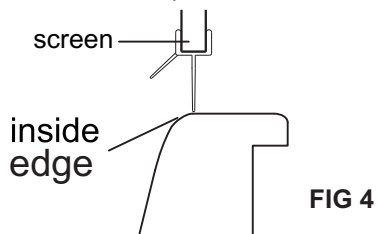
2. Insert the fixed panel B into the wall profile. Do not fix to the wall profile **fig 2**.



3. Fit the bottom clear seal **SP0LFCS** on to the bottom of the bathscreen **fig 3** .Apply silicone as shown in **fig 3A** firstly.

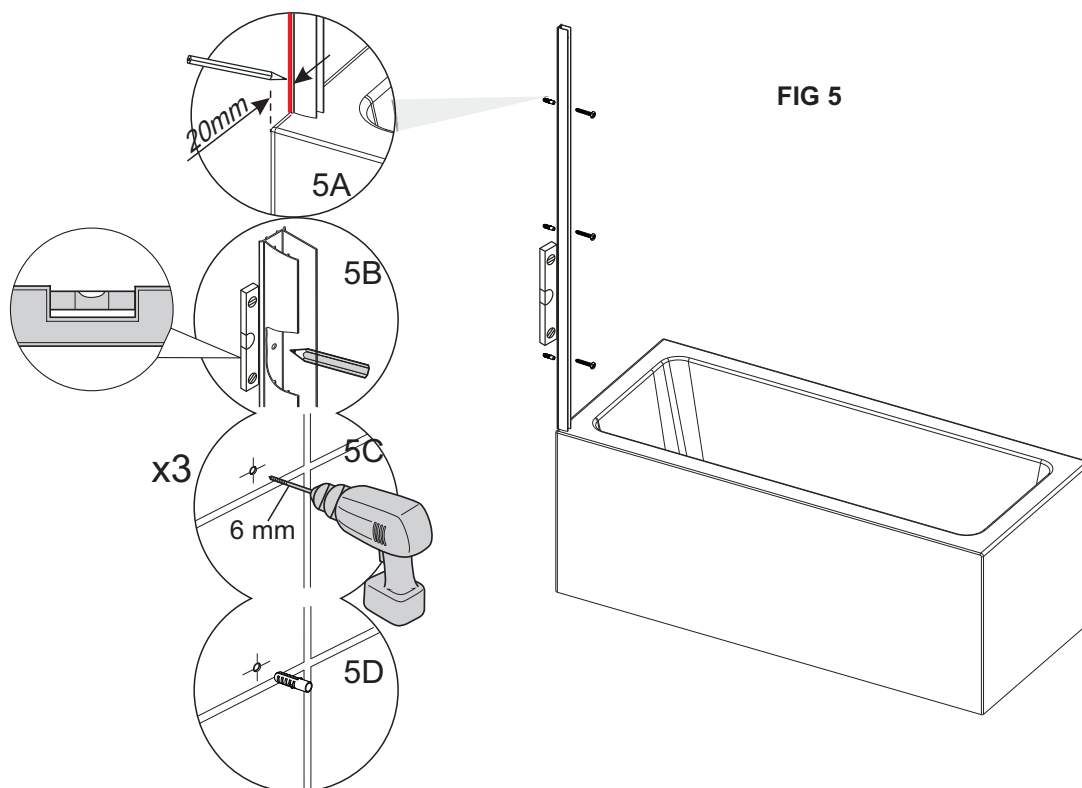


4. Position the wall profile **LR8387C** so the seal on the moving panel sits on the inside edge of the bath. **Fig 4**.



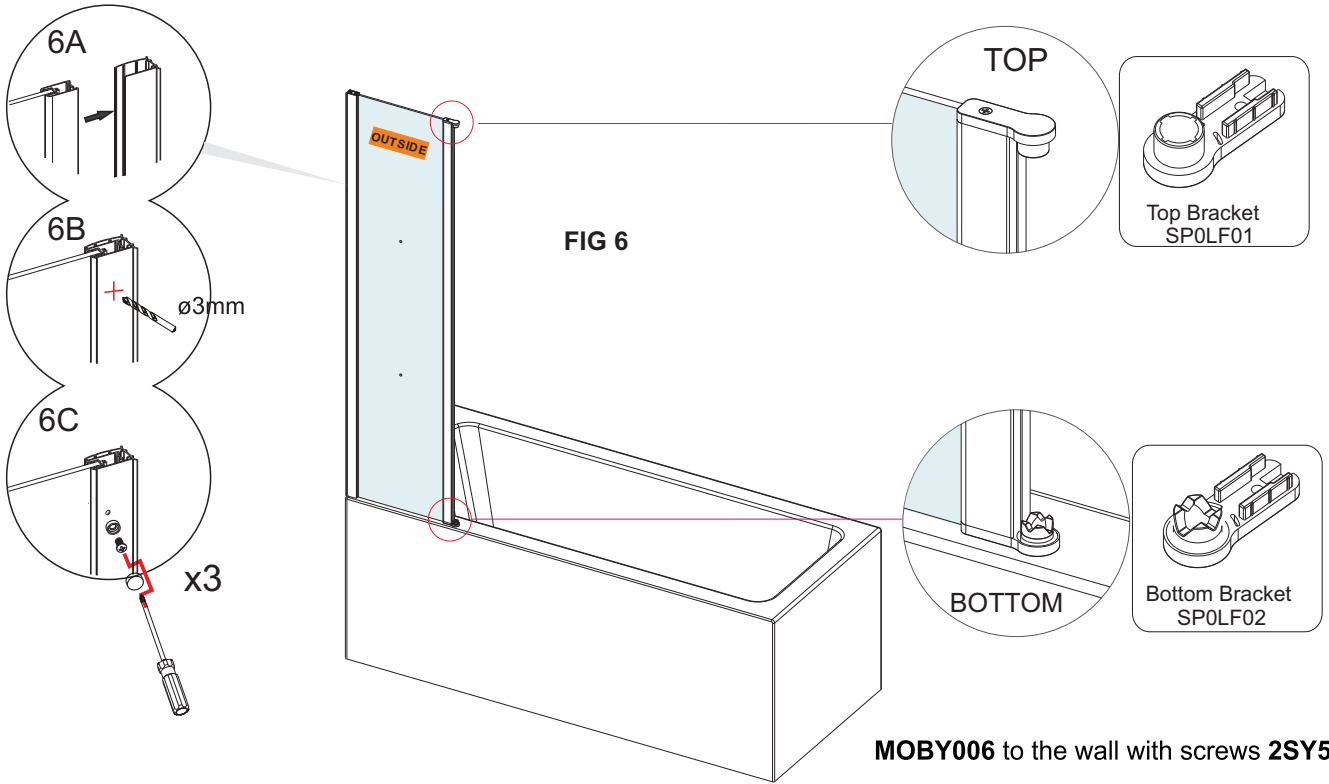
5. Plumb the wall profiles **LR8387C** using the vertical element of the spirit level. Mark 3 holes, drill with 6mm masonry bit and fit wall plugs **2SP12**. Using the 3 Screw **A2403001**, fix wall profiles to wall. **Fig 5**.

NOTE: Only silicone the wall profile after fixing to the wall (see sealing section). Do not silicone on the back of the wall profile before fixing to the wall.

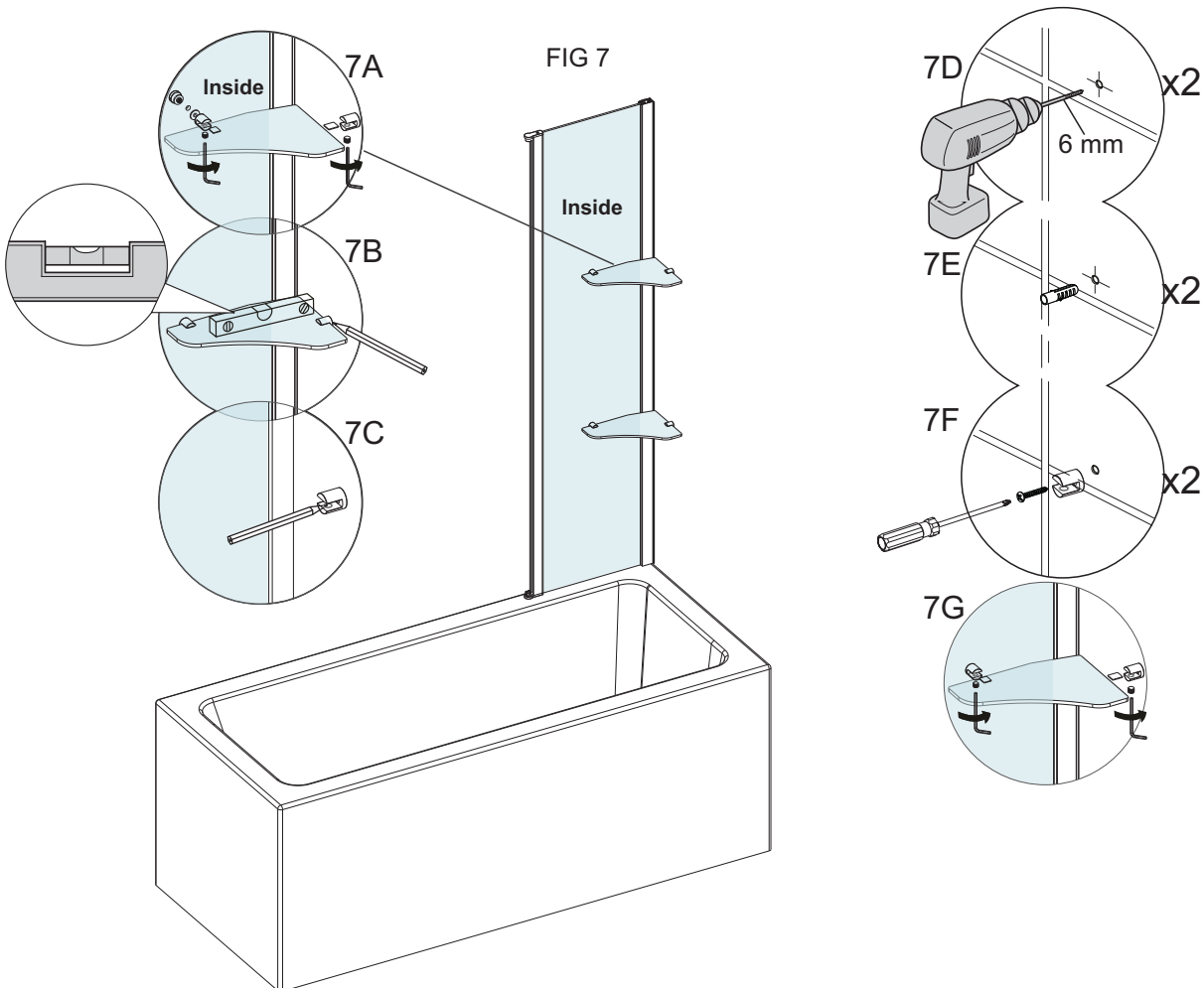


6. Drill 3 holes top, middle and bottom through the wall profile and fixed panel using a 3mm steel drill bit. Using the Screws **A2401201**, and screw cover caps **2SS008** and screw cover caps clips **2SS009** fix the hinge upright to the wall profile in 3 places. **Fig 6**.

Note: Ensure bottom pivot bracket is always on the bottom of the fixed panel.

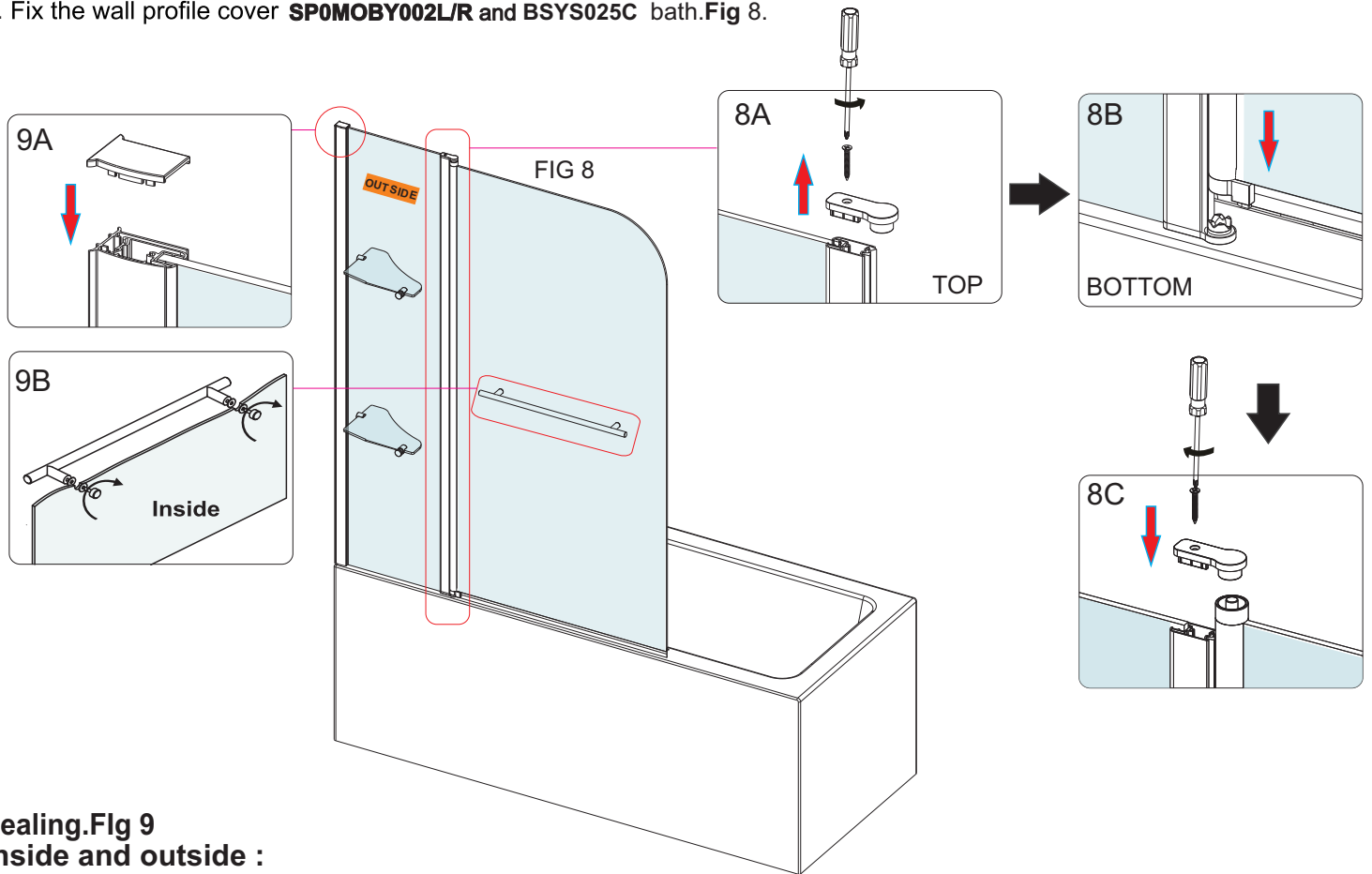


7. Fit shelf glass bracket to glass, level shelf in both directions and mark fixing point on wall. Use 6mm masonry bit and then insert the 2 wall plugs **2SP12** and fix the shelf wall brackets **MOBY006 to the wall with Screw A2403001**. Tighten shelf glass bracket **MOBY005** onto the glass. Insert the perspex shelf **MOBY004** into the shelf wall bracket and shelf glass bracket. Then tighten grubscrews. **Fig 7**.



8. Place moving panel into the bottom pivot bracket and fix the top pivot bracket into position as shown in 8A – 8C

9. Fix the wall profile cover **SP0M0BY002L/R** and **BSYS025C** bath.Fig 8.



Sealing.Flg 9

Inside and outside :

When installation is complete seal the joint between the wall profile and the wall, top to bottom on the inside and outside.

Silicone where the fixed panel and hinge bracket sit on the bath inside and outside. Seal 50mm up where the hinge upright and the fixed panel glass over lap.

Seal 50mm up where

Seal with silicone according to the position of inner and outer red thick lines.

