

## Installation Guide

# Easy-Fit Profile

### IMPORTANT

Please read the complete instructions before commencing fitting.

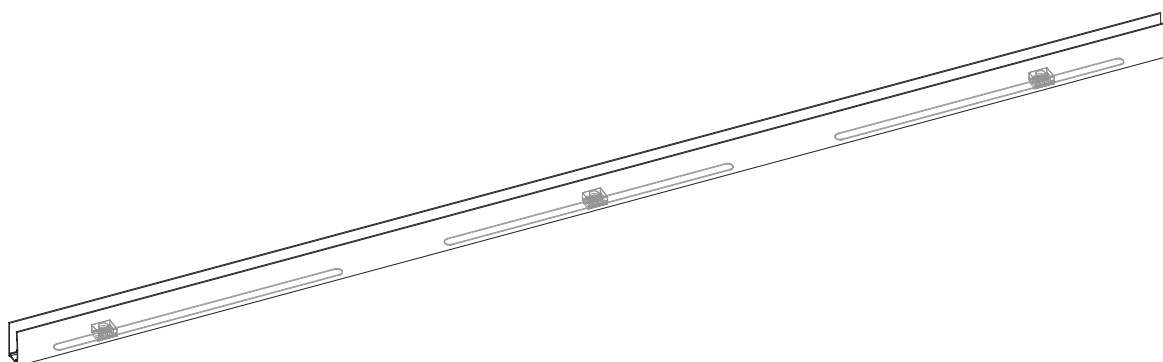
Do Not attempt to install the product unless you can tick all 4 boxes satisfactorily

- Check that you have the tools required
- Check the installation site is compatible with the sizes of door supplied
- Check all the enclosure components are present
- Check the installation kit is complete

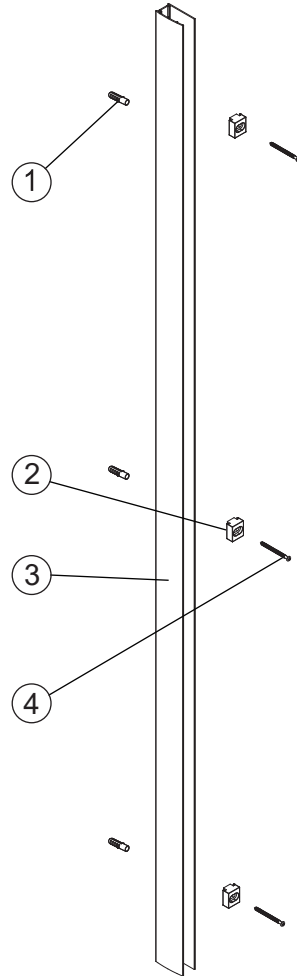
The wall plugs supplied with the installation kit are for use in solid walls. Hollow or 'stud partition' walls will require alternative fixings. Please consult a hardware supplier for the correct type. It may also be necessary to consult your tiling supplier about the correct method for drilling your tiles

**ATTENTION: TAKE EXTREME CARE WHEN HANDLING GLASS. WEAR PROTECTIVE EYEWEAR AND CLOTHING. DO NOT LEAVE THE GLASS ON HARD SURFACES AND AVOID CONTACT BETWEEN THE GLASS EDGES AND HARD SURFACES OR IMPACTS DURING THE INSTALLATION**

**WARNING: Secure only variants of MERLYN bath screens models MB1, MB2 & MB3 only to the Easy-Fit profile.**



# COMPONENTS AND BOX CONTENTS



No.	Description	Qty	Part No.
1	Wall plug	3	2SP12
2	Screw block	3	FLEXBLK
3	Wall profile	1	FLEXPFL
4	Screw(4×50mm)	3	2SY50

## FIXING KIT COMPONENTS, TOOLS REQUIRED, SITE CONDITIONS

### Tools required

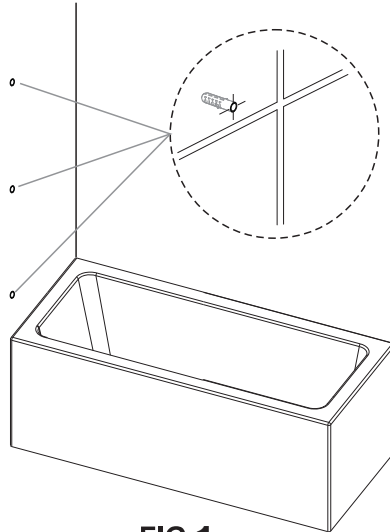
- Neutral cure anti bacterial silicone
- Pencil
- Tape measure
- #2 Philips head screw driver
- Spirit level with horizontal and vertical level indicators

### IMPORTANT - Installation Site

1. Ensure your bath is level before fitting. The screen that assembles to this profile is not designed to fit on baths with stepped fronts, roll top rims or integral soap dishes.
2. The tiling or other wall finishing should be effectively sealed at the bath edges.

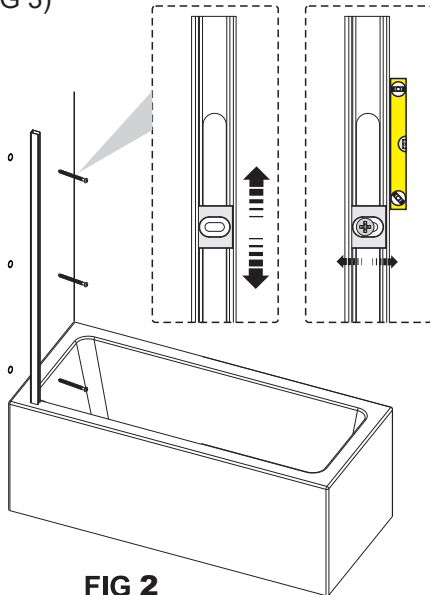
# INSTALLATION

1. Replace current wall plugs if required with MERLYN wall plugs supplied with Easy-Fit profile to ensure bath screen will be secure. (FIG 1)

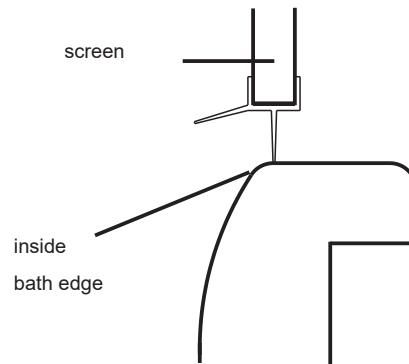


**FIG 1**

2. Ensure profile is plumb to the wall (FIG 2) and positioned to ensure the bathscreen will be on the inside edge of the bath. (FIG 3)



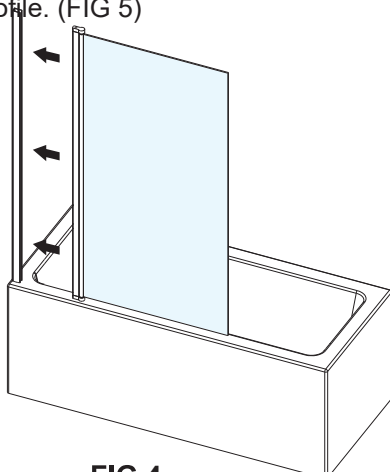
**FIG 2**



**FIG 3**

3. Secure only variants of MERLYN bath screens models MB1, MB2 & MB3 only to the Easy-Fit profile. (FIG 4)

4. Refer to bath screen installation instructions to complete the install of the bath screen to the Easy-Fit profile. (FIG 5)



**FIG 4**



**FIG 5**