

Mira Flight Level

Rectangular Tray



Sleek, flexible and considered in every sense, the Mira Flight shower tray has minimal 25 mm tray height, creating the ultimate wetroom look.



Product Information

Description	Colour/Finish	Product No.
Mira Rectangular Tray 1000x800 0 Upstands	White	1.1898.095.WH
	Slate	1.1898.095.SS4
	Antislip	1.1898.095.AS
Mira Rectangular Tray 1200x700 0 Upstands	White	1.1898.102.WH
	Slate	1.1898.102.SS4
	Antislip	1.1898.102.AS
Mira Rectangular Tray 1200x800 0 Upstands	White	1.1898.106.WH
	Slate	1.1898.106.SS4
	Antislip	1.1898.106.AS
Mira Rectangular Tray 1200x900 0 Upstands	White	1.1898.110.WH
	Slate	1.1898.110.SS4
	Antislip	1.1898.110.AS
Mira Rectangular Tray 1400x800 0 Upstands	White	1.1898.124.WH
	Slate	1.1898.124.SS4
	Antislip	1.1898.124.AS
Mira Rectangular Tray 1400x900 0 Upstands	White	1.1898.128.WH
	Slate	1.1898.128.SS4
	Antislip	1.1898.128.AS
Mira Rectangular Tray 1500x800 0 Upstands	White	1.1898.132.WH
	Slate	1.1898.132.SS4
	Antislip	1.1898.132.AS
Mira Rectangular Tray 1600x800 0 Upstands	White	1.1898.137.WH
	Slate	1.1898.137.SS4
	Antislip	1.1898.137.AS
Mira Rectangular Tray 1600x900 0 Upstands	White	1.1898.140.WH
	Slate	1.1898.140.SS4
	Antislip	1.1898.140.AS
Mira Rectangular Tray 1700x800 0 Upstands	White	1.1898.144.WH
	Slate	1.1898.144.SS4
	Antislip	1.1898.144.AS
Mira Rectangular Tray 1700x900 0 Upstands	White	1.1898.148.WH
	Slate	1.1898.148.SS4
	Antislip	1.1898.148.AS
Mira Rectangular Tray 1800x800 0 Upstands	White	1.1898.152.WH
	Slate	1.1898.152.SS4
	Antislip	1.1898.152.AS



Features & Benefits

Product Features

The minimal 25 mm tray height creates the ultimate wetroom look at a fraction of the cost

Discreet side waste for a minimal style and maximum standing area

Unique waste design allows choice of horizontal or vertical outlet pipe connection

Water seal of 50 mm within waste trap

The removable waste trap makes cleaning easier and catches stray hairs, helping to prevent blockages

Waste performance 30 l/min @ 10 mm, 40 l/min @ 15 mm head height

Flight technology reduces weight and increases robustness

BioCote® technology fights mould and bacteria, reducing it by upto 99.9%

Designed to perfectly complement the Mira Ascend Shower enclosure range

Material

Product Material

Polyconcrete core

Acrylic surface

BioCote® incorporated

Product Datasheet

Installation

Product Installation

The innovative honeycomb back skin reduces the tray's weight and adds strength, making it stronger yet lighter

The level tray can be fitted flush to the floor, surface mounted, or installed on riser legs

The oblong waste design easily fits between floor joists and the waste pipe can be connected horizontally or vertically for flexible installation

Codes/Standards

Product Codes/Standards

BS EN 14527:2016

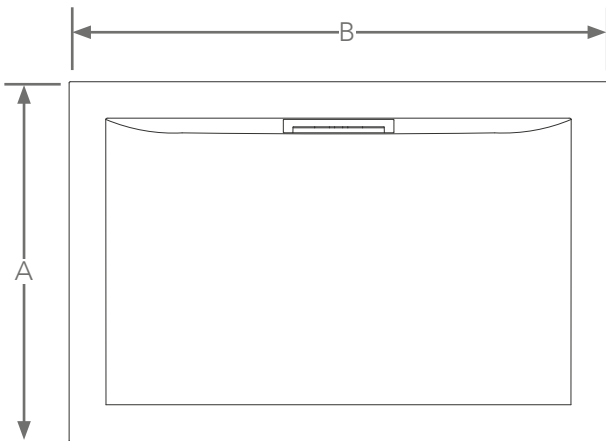
The only level tray on the market with a waste that meets NHBC building regulations

Product Weight

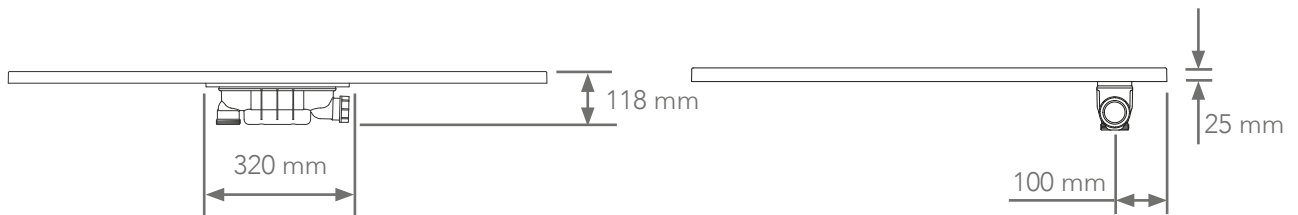
Description	Weight (Kg)
Rectangle Tray 1200 x 760	27.3
Rectangle Tray 1200 x 800	28.9
Rectangle Tray 1200 x 900	33
Rectangle Tray 1400 x 760	32.6
Rectangle Tray 1400 x 800	33
Rectangle Tray 1400 x 900	36.5
Rectangle Tray 1500 x 800	36
Rectangle Tray 1600 x 800	38.4
Rectangle Tray 1600 x 900	43.4
Rectangle Tray 1700 x 800	41.4
Rectangle Tray 1700 x 900	46.7
Rectangle Tray 1800 x 800	41

Technical Information

Tray



Size (mm)	A (mm)	B (mm)	Size (mm)	A (mm)	B (mm)
1200 x 760	765	1205	1500 x 800	805	1505
1200 x 800	805	1205	1600 x 800	805	1605
1200 x 900	905	1205	1600 x 900	905	1605
1400 x 760	765	1405	1700 x 800	805	1705
1400 x 800	805	1405	1700 x 900	905	1705
1400 x 900	905	1405	1800 x 800	805	1805



Waste Assembly

Note: Waste assembly can be fitted reversed, if required.

