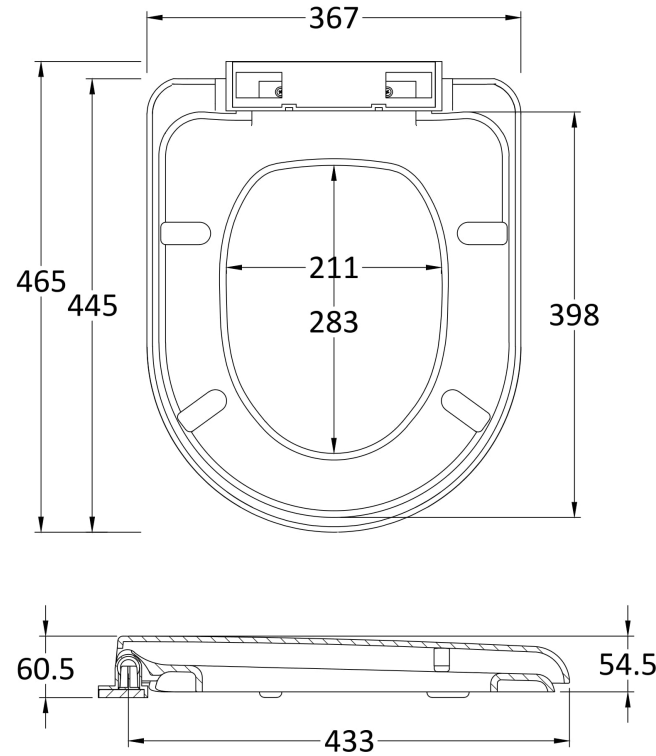


Sales Code: NTS002

Description: Standard D Shape Seat, Sc, Top Fix



Product Dimensions

Length (mm):	465
Width (mm):	367
Height (mm):	61
Nett Weight (kg):	1.95

Packaging Dimensions

Length (mm):	465
Width (mm):	380
Height (mm):	55
Gross Weight (kg):	2.02

Packaging Data

Box Colour:	White Cardboard Box - Printed
Box Qty:	1
Label Size:	100 x 50
Label Colour:	Not Applicable
Label Qty:	

Outer Box Dimensions (If Applicable)

Length (mm):	580
Width (mm):	490
Height (mm):	400
Gross Weight (kg):	22
Barcode:	5060272824853

Product Details

Country of Origin:	China
Fitting Instruction:	Yes
CE Certification:	Not Applicable
Product Material:	Polypropylene
Seat Type:	D Shape
Seat Function:	Soft Close
Hinge Centres (Min):	127.5
Hinge Centres (Max):	171.5
Hinge Material:	Polypropylene
Colour/Finish:	White
Fixing Method:	Top Fix