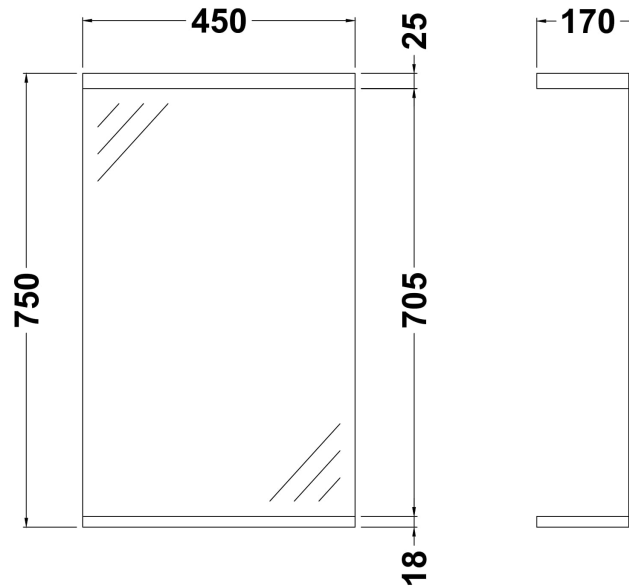


Sales Code: PRC111

Description: 450 Pr Mirror W/ 1 Light



**Product Dimensions**

|                   |       |
|-------------------|-------|
| Height (mm):      | 750   |
| Width (mm):       | 450   |
| Depth (mm):       | 170   |
| Nett Weight (kg): | 11.06 |

**Packaging Dimensions**

|                    |       |
|--------------------|-------|
| Height (mm):       | 70    |
| Width (mm):        | 475   |
| Depth (mm):        | 745   |
| Gross Weight (kg): | 11.06 |

**Packaging Data**

|               |                               |
|---------------|-------------------------------|
| Box Colour:   | Brown Cardboard Box - Printed |
| Box Qty:      | 1                             |
| Label Size:   | 100 x 50                      |
| Label Colour: | Not Applicable                |
| Label Qty:    | 0                             |

**Outer Box Dimensions (If Applicable)**

|                    |               |
|--------------------|---------------|
| Height (mm):       |               |
| Width (mm):        |               |
| Depth (mm):        |               |
| Gross Weight (kg): |               |
| Barcode:           | 5055369058419 |

**Product Details**

|                          |                   |
|--------------------------|-------------------|
| Country of Origin:       | China             |
| Fitting Instruction:     | No                |
| CE Certification:        | No                |
| FSC Certified Materials: |                   |
| Colour:                  | Gloss White       |
| Construction Method:     | Cam & Wood Dowel  |
| Construction Type:       | Flat-Pack         |
| Cabinet Finish:          | MFC Painted Gloss |
| Fascia Finish:           | Mdf Painted Gloss |
| Cabinet Thickness (mm):  |                   |
| Fascia Thickness (mm):   | 18                |
| Drawer Included:         | No                |
| Drawer Type:             | Not Applicable    |
| No of Shelves:           | 0                 |
| Hinge Type:              | Not Applicable    |
| Hinge Included:          | No                |
| Adjustable Legs:         | No, Not Required  |
| Fixings Included:        | Yes               |
| Handle Style:            | Not Applicable    |
| Waste Shroud:            | Not Applicable    |
| Handle Included:         | No, Not Required  |
| Handle Type:             | Not Applicable    |