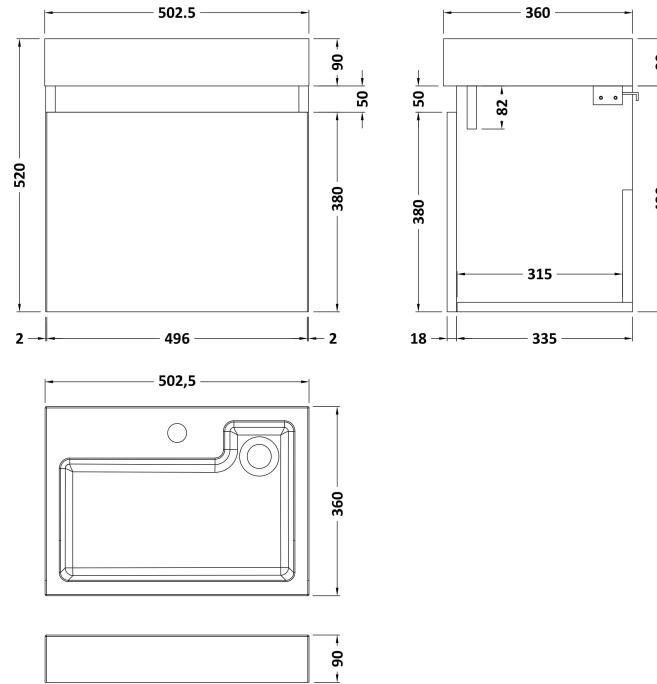


Sales Code: MER008

Description: 500X360 Wh 1-Door Vanity & Basin

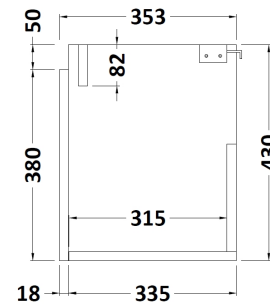
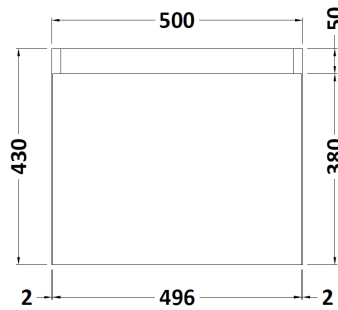
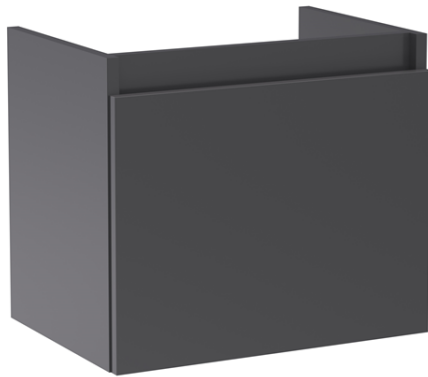


Packaging Details

Barcode: 5056211815105

Sales Code: MOZ382

Description: 500X360 Wh 1-Door Unit



Product Dimensions

| | |
|-------------------|-----|
| Height (mm): | 430 |
| Width (mm): | 500 |
| Depth (mm): | 353 |
| Nett Weight (kg): | 10 |

Packaging Dimensions

| | |
|--------------------|-----|
| Height (mm): | 450 |
| Width (mm): | 520 |
| Depth (mm): | 375 |
| Gross Weight (kg): | 11 |

Packaging Data

| | |
|---------------|---------------------|
| Box Colour: | Brown Cardboard Box |
| Box Qty: | 1 |
| Label Size: | 50 x 100 |
| Label Colour: | White Label |
| Label Qty: | 2 |

Outer Box Dimensions (If Applicable)

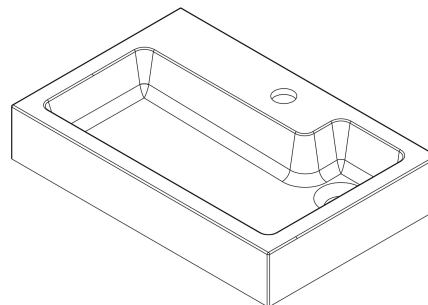
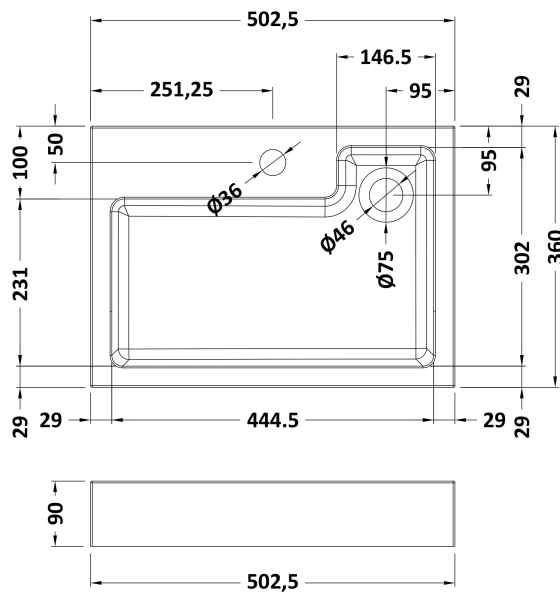
| | |
|--------------------|---------------|
| Height (mm): | |
| Width (mm): | |
| Depth (mm): | |
| Gross Weight (kg): | |
| Barcode: | 5055275883631 |

Product Details

| | |
|--------------------------|----------------------|
| Country of Origin: | China |
| Fitting Instruction: | No |
| CE Certification: | N/A |
| FSC Certified Materials: | Yes |
| Colour: | Gloss Grey |
| Construction Method: | Cam & Wood Dowel |
| Construction Type: | Rigid |
| Cabinet Finish: | MFC Gloss |
| Fascia Finish: | MFC Gloss |
| Cabinet Thickness (mm): | 18 |
| Fascia Thickness (mm): | 18 |
| Drawer Included: | No |
| Drawer Type: | Not Applicable |
| No of Shelves: | 0 |
| Hinge Type: | 95 Degree Soft Close |
| Hinge Included: | Yes |
| Adjustable Legs: | No, Not Required |
| Fixings Included: | Yes |
| Handle Style: | Not Applicable |
| Waste Shroud: | Not Applicable |
| Handle Included: | No, Not Required |
| Handle Type: | Not Applicable |

Sales Code: PMB022

Description: 2 In 1 Polymarble Basin 503 X 360 Rw



Product Dimensions

| | |
|-------------------|------|
| Height (mm): | 90 |
| Width (mm): | 503 |
| Depth (mm): | 360 |
| Nett Weight (kg): | 11.5 |

Packaging Dimensions

| | |
|--------------------|-----|
| Height (mm): | 110 |
| Width (mm): | 525 |
| Depth (mm): | 380 |
| Gross Weight (kg): | 12 |

Packaging Data

| | |
|---------------|-------------------------------|
| Box Colour: | Brown Cardboard Box - Printed |
| Box Qty: | 1 |
| Label Size: | 100 x 50 |
| Label Colour: | White Label |
| Label Qty: | 2 |

Outer Box Dimensions (If Applicable)

| | |
|--------------------|---------------|
| Height (mm): | |
| Width (mm): | |
| Depth (mm): | |
| Gross Weight (kg): | |
| Barcode: | 5055275819524 |

Product Details

| | |
|----------------------|-------------------------------|
| Country of Origin: | China |
| Fitting Instruction: | No |
| Certification: | CE: No WRAS: N/A WRAS No: N/A |
| Product Material: | Polymarble |
| Fixing Supplied: | No |

Pans/Bidets: Trap Style: Not Applicable Includes Seat: Not Applicable

Seats: Seat Type: Not Applicable Material: Not Applicable
Function: Not Applicable Hinge Type: Not Applicable
Hinge Material: Not Applicable

Cisterns: Operating Type: Not Applicable Fittings: Not Applicable
Lever Type: Not Applicable

Basins: Tap Hole: One Taphole Chain Stay Hole: No
Template: Not Required Waste Type Req: Unslotted
Overflow Inc: No Overflow Cover: Not Applicable
Inner Bowl Depth (mm): 70mm