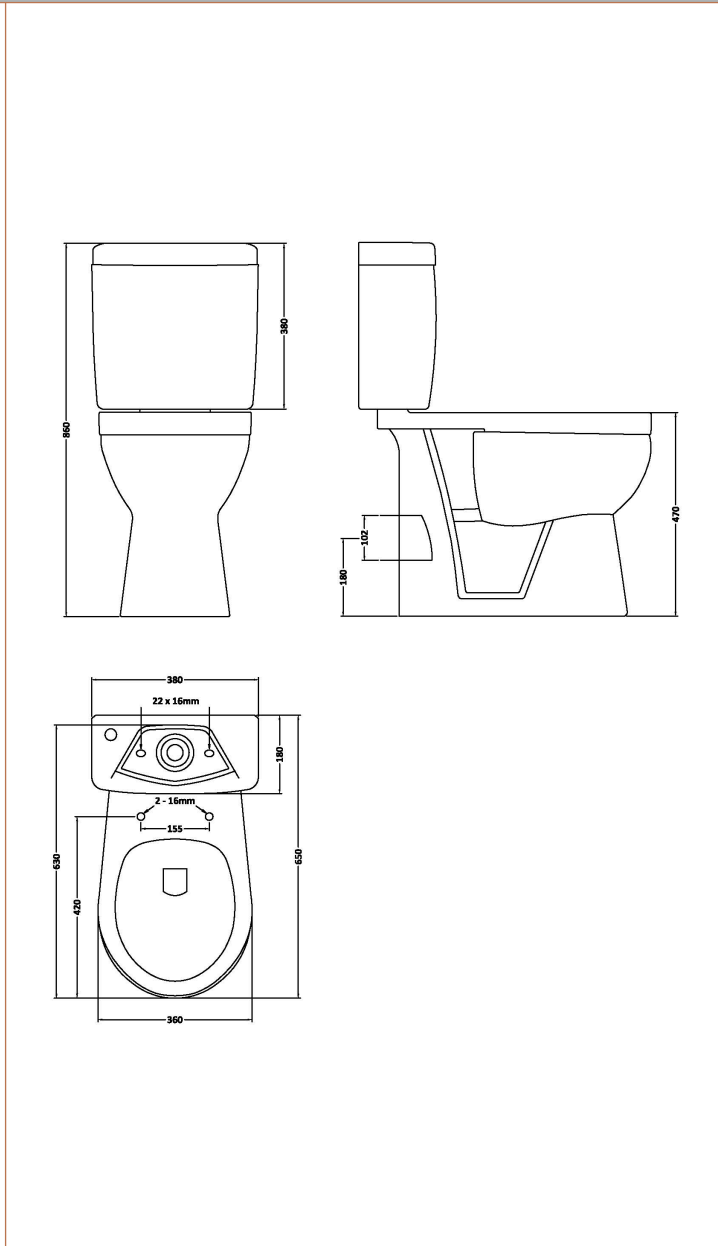


Sales Code: DOCMP100

Description: Doc M Pan Cistern & Seat



**Product Dimensions**

Height (mm):	
Width (mm):	
Depth (mm):	
Nett Weight (kg):	36.5

**Packaging Dimensions**

Height (mm):	500
Width (mm):	390
Depth (mm):	690
Gross Weight (kg):	36.5

**Packaging Data**

Box Colour:	Brown Cardboard Box - Printed	
Box Qty:	1	
Label Size:	100 x 50	
Label Colour:	White Label	
Label Qty:	2	

**Outer Box Dimensions (If Applicable)**

Height (mm):	
Width (mm):	
Depth (mm):	
Gross Weight (kg):	
Barcode:	5055369041770

**Product Details**

Country of Origin:	China	
Fitting Instruction:	No	
Certification: CE & UKCA:	Yes	WRAS: N/A WRAS No: N/A
Product Material:	Vitreous China	
Fixing Supplied:	No	

<b>Pans/Bidets:</b>	Trap Style: P Trap	Includes Seat: Yes
---------------------	--------------------	--------------------

<b>Seats:</b>	Seat Type: Round	Material: Polypropylene
	Function: Soft Close	Hinge Type: Bottom Fix
	Hinge Material: Plastic	

<b>Cisterns:</b>	Operating Type: Push Button	Fittings: Loose Single 6L
	Lever Type: Paddle Chrome Plater	

<b>Basins:</b>	Tap Hole: Not Applicable	Chain Stay Hole: Not Applicable
	Template: Not Applicable	Waste Type Req: Not Applicable
	Overflow Inc: Yes	Overflow Cover: Not Applicable
	Inner Bowl Depth (mm): N/A	