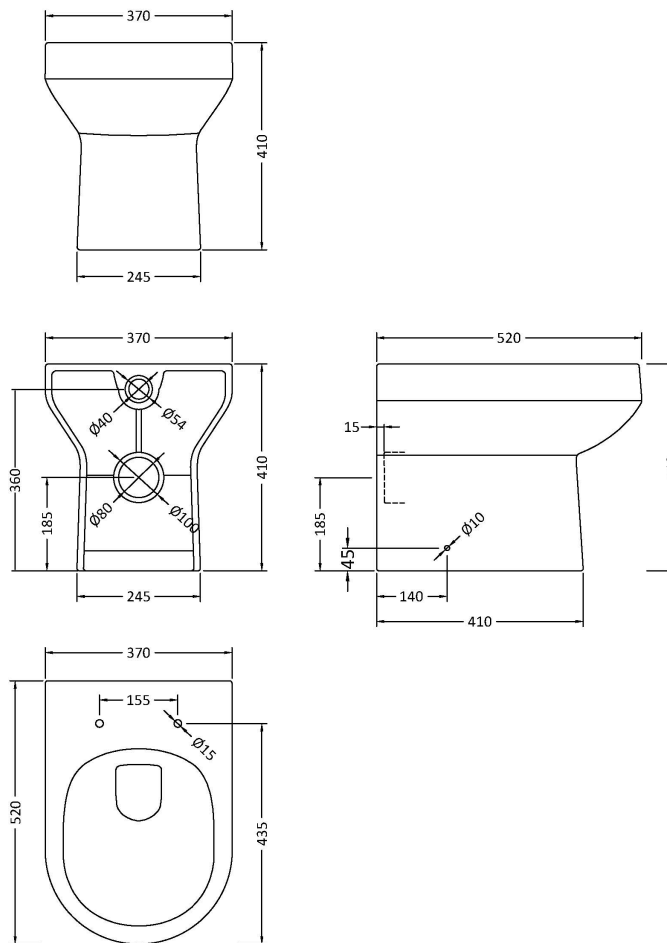


Sales Code: NCH606

Description: Harmony Btw Pan



Product Dimensions

| | |
|-------------------|------|
| Height (mm): | 410 |
| Width (mm): | 370 |
| Depth (mm): | 520 |
| Nett Weight (kg): | 24.5 |

Packaging Dimensions

| | |
|--------------------|-----|
| Height (mm): | 430 |
| Width (mm): | 415 |
| Depth (mm): | 570 |
| Gross Weight (kg): | 25 |

Packaging Data

| | |
|---------------|-------------------------------|
| Box Colour: | Brown Cardboard Box - Printed |
| Box Qty: | 1 |
| Label Size: | 100 x 50 |
| Label Colour: | White Label |
| Label Qty: | 2 |

Outer Box Dimensions (If Applicable)

| | |
|--------------------|---------------|
| Height (mm): | |
| Width (mm): | |
| Depth (mm): | |
| Gross Weight (kg): | |
| Barcode: | 5055369030897 |

Product Details

| | |
|---------------------------|---------------------------|
| Country of Origin: | China |
| Fitting Instruction: | No |
| Certification: CE & UKCA: | No WRAS: N/A WRAS No: N/A |
| Product Material: | Vitreous China |
| Fixing Supplied: | No |

Pans/Bidets: Trap Style: P Trap Includes Seat: No

Seats: Seat Type: Not Applicable Material: Not Applicable
Function: Not Included Hinge Type: Not Applicable
Hinge Material: Not Applicable

Cisterns: Operating Type: Not Applicable Fittings: Not Applicable
Lever Type: Not Applicable

Basins: Tap Hole: No Tapholes Chain Stay Hole: Not Applicable
Template: Not Applicable Waste Type Req: Not Applicable
Overflow Inc: Not Applicable Overflow Cover: Not Applicable
Inner Bowl Depth (mm): N/A