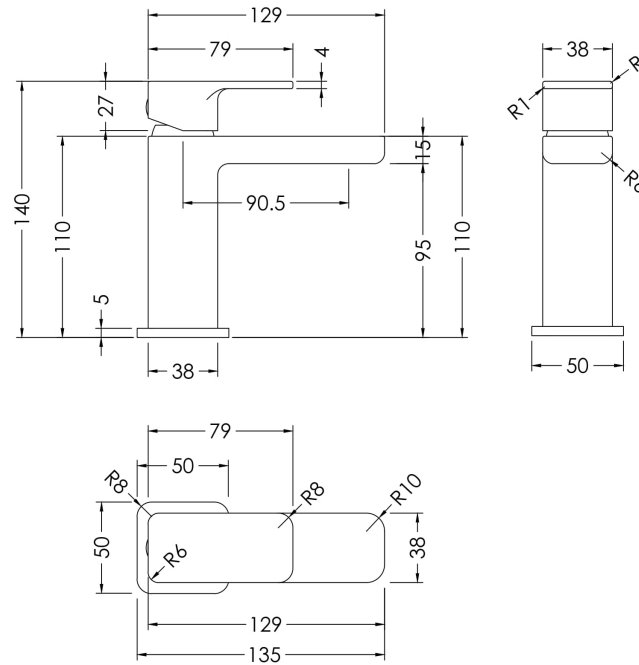


Sales Code: WIN315

Description: Windon Mini Basin Mixer (P/B Waste)



### Product Dimensions

Height (mm):	140
Width (mm):	48
Depth (mm):	129
Length (mm):	
Nett Weight (kg):	1.62

### Packaging Dimensions

Height (mm):	95
Width (mm):	245
Depth (mm):	275
Gross Weight (kg):	1.62

### Packaging Data

Box Colour:	White Cardboard Box
Box Qty:	1
Label Size:	100 x 50
Label Colour:	White Label
Label Qty:	1

### Outer Box Dimensions (If Applicable)

Height (mm):	500
Width (mm):	480
Depth (mm):	295
Length (mm):	
Gross Weight (kg):	
Barcode:	5056211898191

### Product Details

Country of Origin:	China
Fitting Instruction:	No
Product Material:	Brass
Control Type:	Manual
Waste Included:	Waste Included
Waste Type:	Push Button
WRAS Approval:	No
Approval No:	N/A
Valve/Cartridge Type:	Single Lever Cartridge
Colour/Finish:	Chrome
Mount Type:	Deck
Operating Pressure (bar):	0.2
Flow Rates: (Litres Per Min)	0.1 bar: 2.6    0.5 bar: 7    1 bar: 10.2    2 bar: 14.8    3 bar: 18.3
Pipe Size:	1/2"
Pipe Centres:	N/A