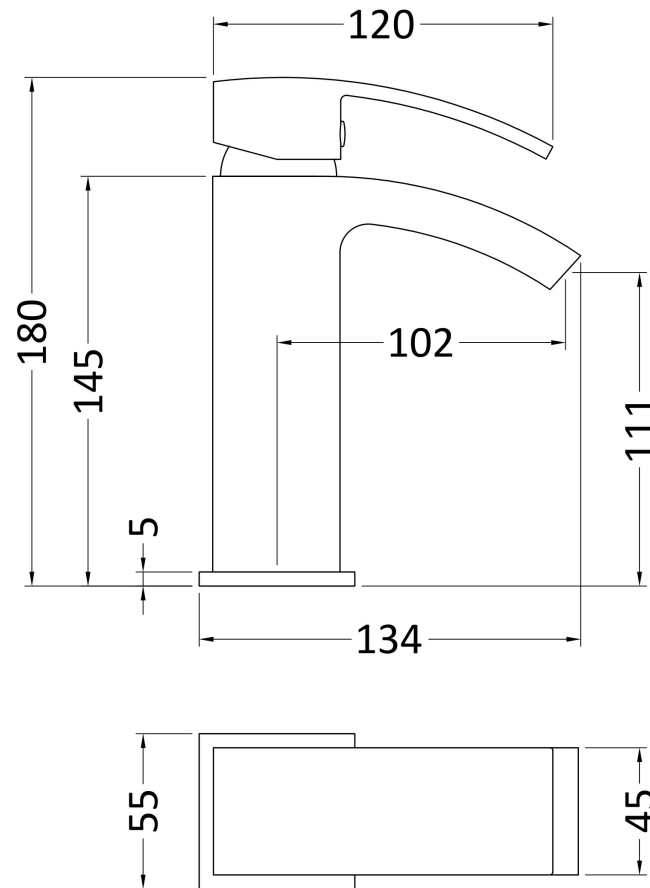


Sales Code: TSI305

Description: Sinclair Mono Basin



Product Dimensions

| | |
|-------------------|-----|
| Height (mm): | 180 |
| Width (mm): | 55 |
| Depth (mm): | 134 |
| Length (mm): | |
| Nett Weight (kg): | 1.2 |

Packaging Dimensions

| | |
|--------------------|-----|
| Height (mm): | 148 |
| Width (mm): | 54 |
| Depth (mm): | 157 |
| Gross Weight (kg): | 1.4 |

Packaging Data

| | |
|---------------|---------------------|
| Box Colour: | White Cardboard Box |
| Box Qty: | 1 |
| Label Size: | 100 x 50 |
| Label Colour: | White Label |
| Label Qty: | 2 |

Outer Box Dimensions (If Applicable)

| | |
|--------------------|---------------|
| Height (mm): | 380 |
| Width (mm): | 460 |
| Depth (mm): | 200 |
| Length (mm): | |
| Gross Weight (kg): | 15 |
| Barcode: | 5055275824405 |

Product Details

| | |
|---------------------------|------------------------|
| Country of Origin: | China |
| Fitting Instruction: | No |
| Product Material: | Brass |
| Control Type: | Manual |
| Waste Included: | Waste Included |
| Waste Type: | Not Applicable |
| WRAS Approval: No | Approval No: N/A |
| Valve/Cartridge Type: | Single Lever Cartridge |
| Colour/Finish: | Chrome |
| Mount Type: | Deck |
| Operating Pressure (bar): | 0.2 |

| | | | | | |
|------------------------------|------------------|--------------|-----------|-----------|-----------|
| Flow Rates: (Litres Per Min) | 0.1 bar: 3.5 | 0.5 bar: 8.3 | 1 bar: 12 | 2 bar: 17 | 3 bar: 21 |
| Pipe Size: | 15 mm (1/2" Bsp) | | | | |
| Pipe Centres: | N/A | | | | |