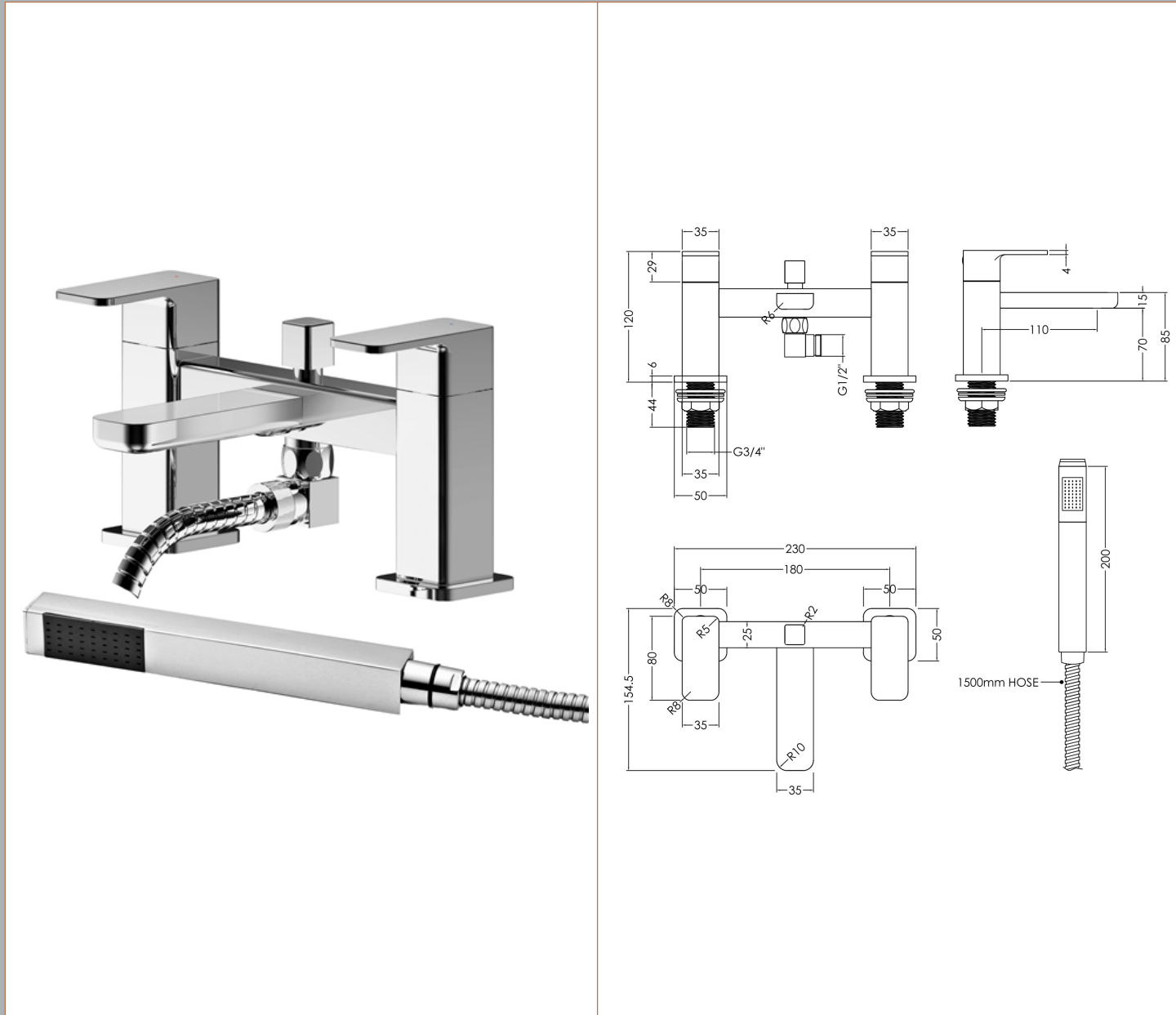


Sales Code: WIN304

Description: Windon D/M Bsm With Kit



**Product Dimensions**

Height (mm):	136
Width (mm):	230
Depth (mm):	147
Length (mm):	
Nett Weight (kg):	2.62

**Packaging Dimensions**

Height (mm):	185
Width (mm):	190
Depth (mm):	270
Gross Weight (kg):	2.62

**Packaging Data**

Box Colour:	White Cardboard Box
Box Qty:	1
Label Size:	100 x 50
Label Colour:	White Label
Label Qty:	1

**Outer Box Dimensions (If Applicable)**

Height (mm):	560
Width (mm):	440
Depth (mm):	430
Length (mm):	
Gross Weight (kg):	
Barcode:	5056211898283

**Product Details**

Country of Origin:	China
Fitting Instruction:	No
Product Material:	Brass/ABS
Control Type:	Manual
Waste Included:	Waste Not Included
Waste Type:	Not Applicable
WRAS Approval: No	Approval No: N/A
Valve/Cartridge Type:	1/4 Turn Ceramic Disc
Colour/Finish:	Chrome
Mount Type:	Deck
Operating Pressure (bar):	2
Flow Rates: (Litres Per Min)	0.1 bar: 3.1 0.5 bar: 7.9 1 bar: 11.4 2 bar: 16.3 3 bar: 19.9
Pipe Size:	3/4"
Pipe Centres:	180