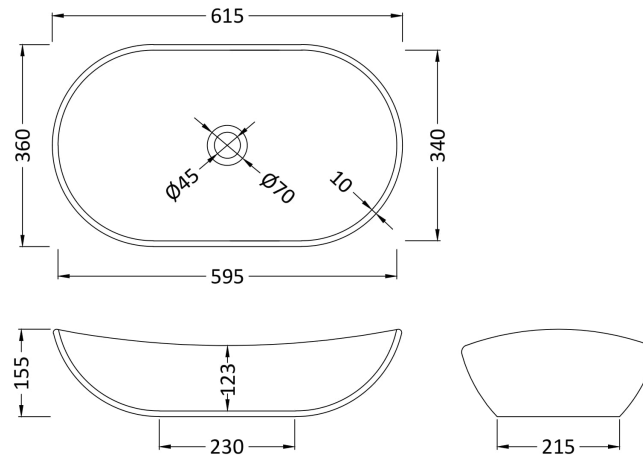


Sales Code: NBV459

Description: Vessel 615 X 360 X 155



**Product Dimensions**

|                   |     |
|-------------------|-----|
| Height (mm):      | 155 |
| Width (mm):       | 615 |
| Depth (mm):       | 360 |
| Nett Weight (kg): | 8.7 |

**Packaging Dimensions**

|                    |     |
|--------------------|-----|
| Height (mm):       | 175 |
| Width (mm):        | 380 |
| Depth (mm):        | 630 |
| Gross Weight (kg): | 9.6 |

**Packaging Data**

|               |                     |
|---------------|---------------------|
| Box Colour:   | Brown Cardboard Box |
| Box Qty:      | 1                   |
| Label Size:   | 100 x 50            |
| Label Colour: | White Label         |
| Label Qty:    | 2                   |

**Outer Box Dimensions (If Applicable)**

|                    |               |
|--------------------|---------------|
| Height (mm):       |               |
| Width (mm):        |               |
| Depth (mm):        |               |
| Gross Weight (kg): |               |
| Barcode:           | 5056462625164 |

**Product Details**

|                           |                |
|---------------------------|----------------|
| Country of Origin:        | China          |
| Fitting Instruction:      | No             |
| Certification: CE & UKCA: | WRAS: WRAS No: |
| Product Material:         | Vitreous China |
| Fixing Supplied:          | Not Applicable |

**Pans/Bidets:** Trap Style: Not Applicable Includes Seat: Not Applicable

**Seats:** Seat Type: Not Applicable Material: Not Applicable  
 Function: Not Applicable Hinge Type: Not Applicable  
 Hinge Material: Not Applicable

**Cisterns:** Operating Type: Not Applicable Fittings: Not Applicable  
 Lever Type: Not Applicable

**Basins:** Tap Hole: No Tapholes Chain Stay Hole: No  
 Template: Not Required Waste Type Req: Not Applicable  
 Overflow Inc: No Overflow Cover: No  
 Inner Bowl Depth (mm): 123mm