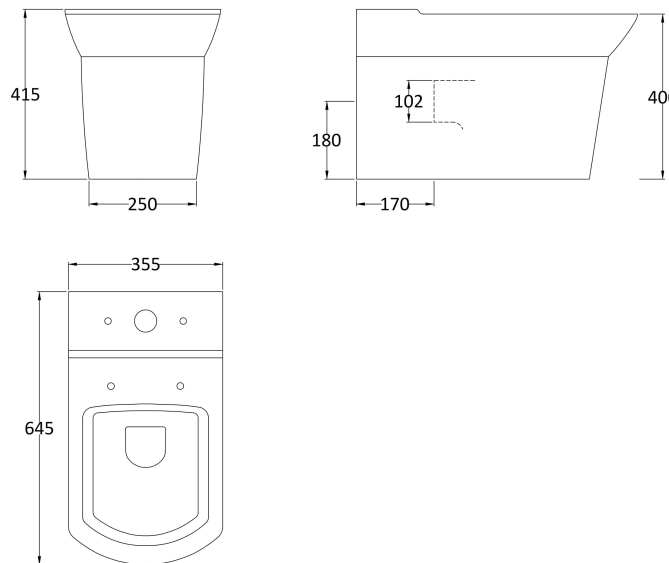


**Sales Code:** NCT300

**Description:** Flush To Wall Cc Pan



**Product Dimensions**

Height (mm):	400
Width (mm):	350
Depth (mm):	660
Nett Weight (kg):	35.2

**Packaging Dimensions**

Height (mm):	430
Width (mm):	380
Depth (mm):	700
Gross Weight (kg):	35.2

**Packaging Data**

Box Colour:	Brown Cardboard Box
Box Qty:	1
Label Size:	100 x 50
Label Colour:	White Label
Label Qty:	2

**Outer Box Dimensions (If Applicable)**

Height (mm):	
Width (mm):	
Depth (mm):	
Gross Weight (kg):	
Barcode:	5055369063314

**Product Details**

Country of Origin:	Turkey
Fitting Instruction:	No
Certification: CE & UKCA:	Yes WRAS: N/A WRAS No: N/A
Product Material:	Vitreous China
Fixing Supplied:	No

<b>Pans/Bidets:</b>	Trap Style: P Trap	Includes Seat: No
---------------------	--------------------	-------------------

<b>Seats:</b>	Seat Type: D-Shape	Material: Not Applicable
	Function: Not Applicable	Hinge Type: Top Fix
	Hinge Material: Not Applicable	

<b>Cisterns:</b>	Operating Type: Not Applicable	Fittings: Not Applicable
	Lever Type: Not Applicable	

<b>Basins:</b>	Tap Hole: Not Applicable	Chain Stay Hole: Not Applicable
	Template: Not Applicable	Waste Type Req: Not Applicable
	Overflow Inc: Not Applicable	Overflow Cover: Not Applicable
	Inner Bowl Depth (mm): N/A	