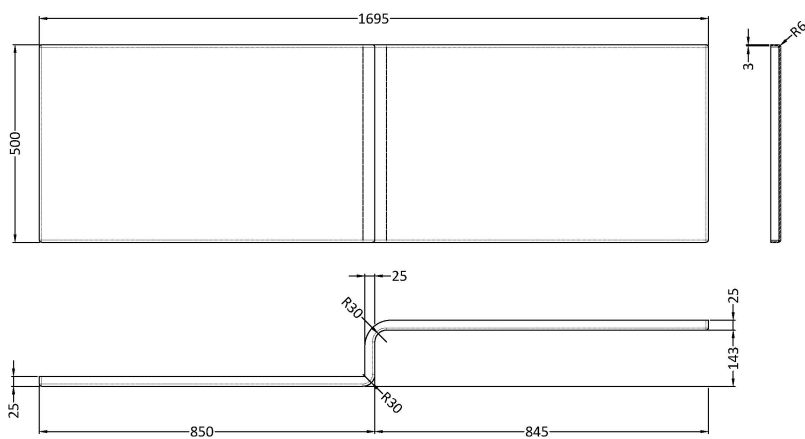
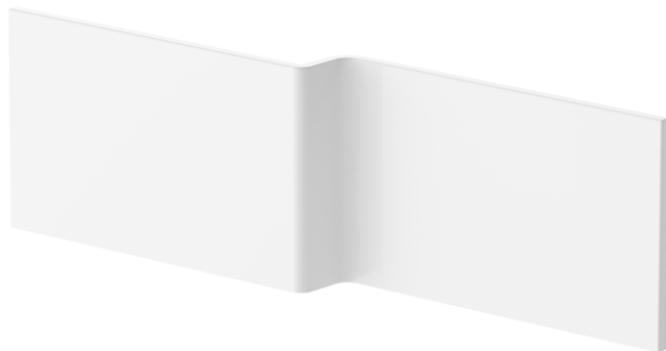


Sales Code: WBS300

Description: 1700 Sq Showerbath Front Panel Cw Fixing



Product Dimensions

| | |
|-------------------|------|
| Length (mm): | 1695 |
| Width (mm): | 500 |
| Depth (mm): | 167 |
| Nett Weight (kg): | 3.4 |

Packaging Dimensions

| | |
|--------------------|------|
| Length (mm): | 1720 |
| Width (mm): | 515 |
| Depth (mm): | 35 |
| Gross Weight (kg): | 3.4 |

Packaging Data

| | |
|---------------|--------------------------|
| Box Colour: | Polybagged With End Caps |
| Box Qty: | 1 |
| Label Size: | 300 x 35 |
| Label Colour: | White Label |
| Label Qty: | 1 |

Outer Box Dimensions (If Applicable)

| | |
|--------------------|---------------|
| Length (mm): | |
| Width (mm): | |
| Height (mm): | |
| Gross Weight (kg): | |
| Barcode: | 5055369083596 |

Product Details

| | |
|----------------------------|-----------------|
| Country of Origin: | Turkey |
| Fitting Instruction: | No |
| Certification: | FSC: CE & UKCA: |
| Material Colour Reference: | European White |
| Product Material: | Acrylic |
| Material Thickness: | 2mm |
| Volume (Ltr): | N/A |
| Displaced Capacity: | N/A |
| Leg Set Included: | Not Applicable |
| Waste Included: | Not Applicable |
| Drilled/Undrilled: | Not Applicable |
| Includes Grips: | Not Applicable |
| Embossed: | Not Applicable |
| No of Tapholes: | Not Applicable |
| Anti-Slip: | Not Applicable |