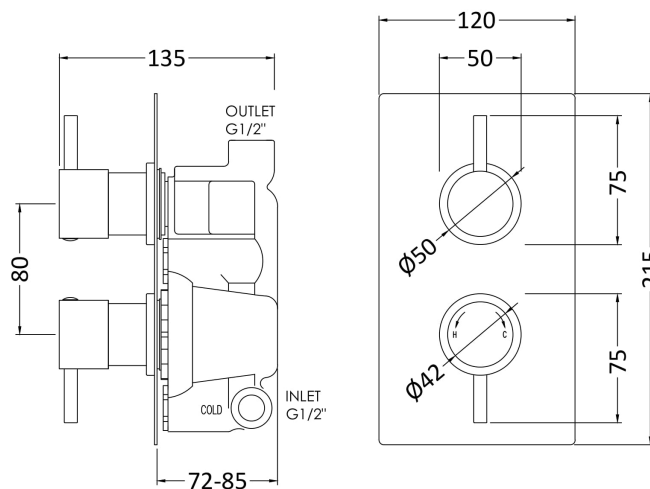


Sales Code: QUEV51

Description: Quest Twin Valve Rectangular Plate



### Product Dimensions

|                   |      |
|-------------------|------|
| Length (mm):      |      |
| Width (mm):       | 120  |
| Height (mm):      | 215  |
| Depth (mm):       | 135  |
| Nett Weight (kg): | 2.71 |

### Packaging Dimensions

|                    |      |
|--------------------|------|
| Length (mm):       | 250  |
| Width (mm):        | 240  |
| Height (mm):       | 110  |
| Gross Weight (kg): | 2.71 |

### Packaging Data

|               |                     |
|---------------|---------------------|
| Box Colour:   | White Cardboard Box |
| Box Qty:      | 1                   |
| Label Size:   | 100 x 50            |
| Label Colour: | White Label         |
| Label Qty:    | 2                   |

### Outer Box Dimensions (If Applicable)

|                    |               |
|--------------------|---------------|
| Length (mm):       | 500           |
| Width (mm):        | 370           |
| Height (mm):       | 270           |
| Depth (mm):        | 16            |
| Gross Weight (kg): | 16            |
| Barcode:           | 5055146197218 |

### Product Details

|                           |  |
|---------------------------|--|
| Country of Origin:        | United Kingdom   |
| Fitting Instruction:      | No   |
| Product Material:         | Brass/ABS  |
| Mount Type:               | Wall, Recessed   |
| Outlet Elbow Supplied:    | No   |
| Easy Clean:               | Not Applicable   |
| Head Included:            | No   |
| Handset Included:         | No   |
| Body Jets Included:       | Not Applicable   |
| No of Body Jets:          | Not Applicable   |
| Operating Pressure (bar): | 0.1  |
| Valve/Cartridge Type:     | 1/4 Turn Ceramic Disc  |
| Flow Rates (L/min):       | 0.1 bar: 5.5   0.5 bar: 14   1 bar: 20   2 bar: 29   3 bar: 44 |
| TMV2 Approved:            | No   Approval No: N/A  |
| TMV3 Approved:            | No   Approval No: N/A  |
| WRAS Approved:            | Yes   Approval No: 2204707                                     |
| Head Function:            | Not Applicable   |
| Handset Function:         | Not Applicable   |
| Body Jet Info:            | Not Applicable   |
| Pipe Size:                | 15 mm (1/2" Bsp)   |
| Pipe Centres:             | N/A  |
| Colour/Finish:            | Chrome   |
| Hose Included:            | Not Applicable   |
| No. of Outlets:           | 1  |