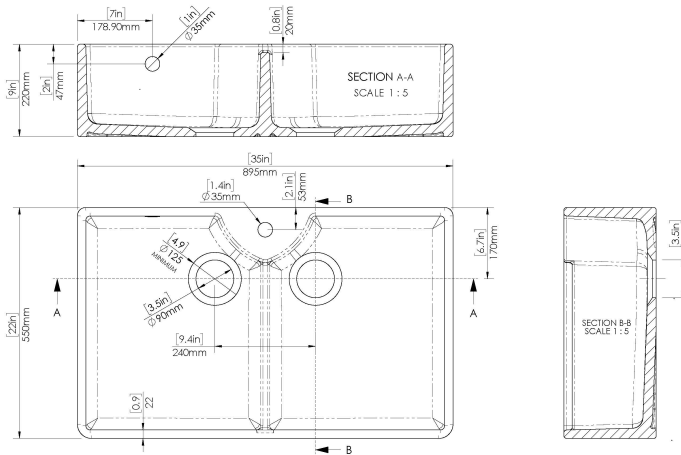
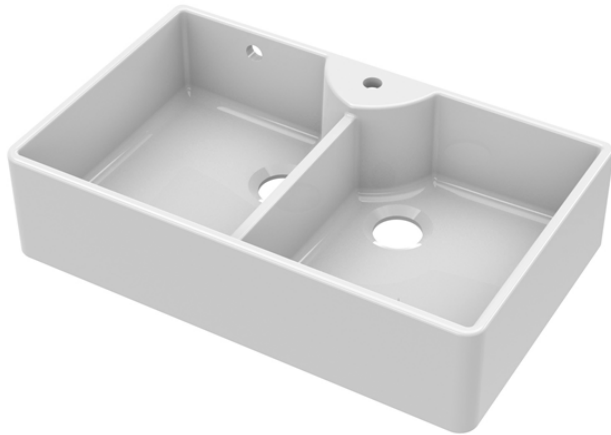


Sales Code: BU131AS36D

Description: Butler Sink Sw & Of 895X550x220



### Product Dimensions

Height (mm):	220
Width (mm):	895
Depth (mm):	550
Nett Weight (kg):	52.5

### Packaging Dimensions

Height (mm):	237
Width (mm):	914
Depth (mm):	557
Gross Weight (kg):	53

### Packaging Data

Box Colour:	Brown Cardboard Box
Box Qty:	1
Label Size:	100 x 50
Label Colour:	White Label
Label Qty:	2

### Outer Box Dimensions (If Applicable)

Height (mm):	
Width (mm):	
Depth (mm):	
Gross Weight (kg):	
Barcode:	5055275868584

### Product Details

Country of Origin:	Utd.Arab.Emir.	
Fitting Instruction:	No	
Certification: CE & UKCA:	WRAS:	WRAS No:
Product Material:		
Fixing Supplied:		

**Pans/Bidets:** Trap Style: Includes Seat:

**Seats:** Seat Type: Material:  
Function: Hinge Type:  
Hinge Material:

**Cisterns:** Operating Type: Fittings:  
Lever Type:

**Basins:** Tap Hole: Chain Stay Hole:  
Template: Waste Type Req:  
Overflow Inc: Overflow Cover:  
Inner Bowl Depth (mm): 198