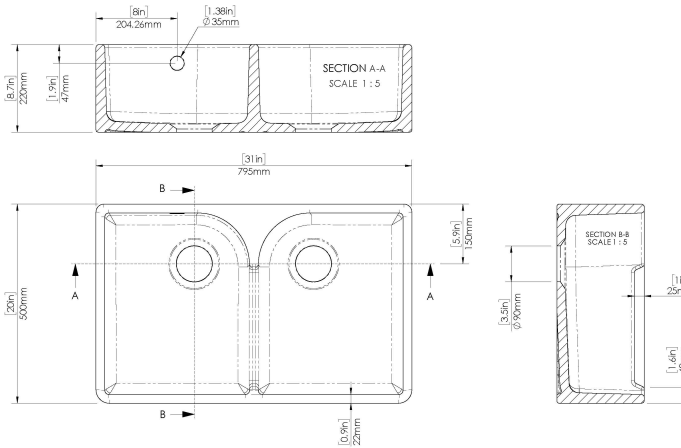


Sales Code: BU121AS32D

Description: Butler Sink Sw & Of 795X500x220



### Product Dimensions

Height (mm):	220
Width (mm):	795
Depth (mm):	500
Nett Weight (kg):	45.5

### Packaging Dimensions

Height (mm):	237
Width (mm):	814
Depth (mm):	507
Gross Weight (kg):	46

### Packaging Data

Box Colour:	Brown Cardboard Box
Box Qty:	1
Label Size:	100 x 50
Label Colour:	White Label
Label Qty:	2

### Outer Box Dimensions (If Applicable)

Height (mm):	
Width (mm):	
Depth (mm):	
Gross Weight (kg):	
Barcode:	5056462649337

### Product Details

Country of Origin:	Utd.Arab.Emir.	
Fitting Instruction:	No	
Certification: CE & UKCA:	WRAS:	WRAS No:
Product Material:		
Fixing Supplied:		

**Pans/Bidets:** Trap Style: \_\_\_\_\_ Includes Seat: \_\_\_\_\_

**Seats:** Seat Type: \_\_\_\_\_ Material: \_\_\_\_\_  
 Function: \_\_\_\_\_ Hinge Type: \_\_\_\_\_  
 Hinge Material: \_\_\_\_\_

**Cisterns:** Operating Type: \_\_\_\_\_ Fittings: \_\_\_\_\_  
 Lever Type: \_\_\_\_\_

**Basins:** Tap Hole: \_\_\_\_\_ Chain Stay Hole: \_\_\_\_\_  
 Template: \_\_\_\_\_ Waste Type Req: \_\_\_\_\_  
 Overflow Inc: \_\_\_\_\_ Overflow Cover: \_\_\_\_\_  
 Inner Bowl Depth (mm): 198