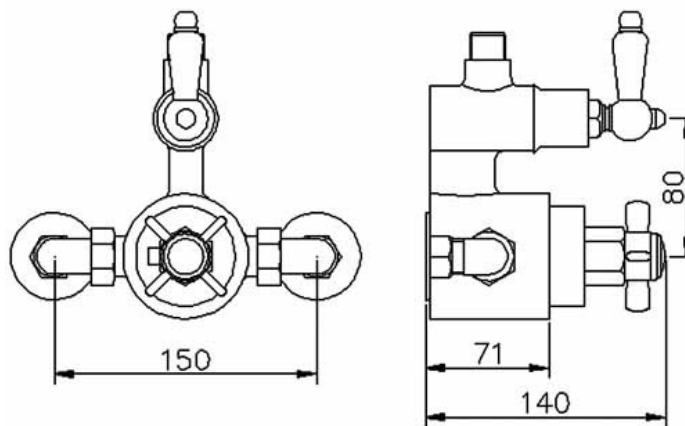


Sales Code: CP148

Description: Trad Twin Exp Valve And Rigid Riser Kit



Product Dimensions

| | |
|-------------------|------|
| Length (mm): | |
| Width (mm): | |
| Height (mm): | |
| Depth (mm): | |
| Nett Weight (kg): | 0.55 |

Packaging Dimensions

| | |
|--------------------|------|
| Length (mm): | 550 |
| Width (mm): | 550 |
| Height (mm): | 550 |
| Gross Weight (kg): | 0.55 |

Packaging Data

| | |
|---------------|-------|
| Box Colour: | |
| Box Qty: | 0 |
| Label Size: | 0 x 0 |
| Label Colour: | |
| Label Qty: | 0 |

Outer Box Dimensions (If Applicable)

| | |
|--------------------|---------------|
| Length (mm): | |
| Width (mm): | |
| Height (mm): | |
| Depth (mm): | |
| Gross Weight (kg): | |
| Barcode: | 5055369037179 |

Product Details

| | |
|---------------------------|--|
| Country of Origin: | |
| Fitting Instruction: | Yes |
| Product Material: | |
| Mount Type: | |
| Outlet Elbow Supplied: | |
| Easy Clean: | |
| Head Included: | |
| Handset Included: | |
| Body Jets Included: | |
| No of Body Jets: | |
| Operating Pressure (bar): | |
| Valve/Cartridge Type: | |
| Flow Rates (L/min): | 0.1 bar: 0.5 bar: 1 bar: 2 bar: 3 bar: |
| TMV2 Approved: | Approval No: |
| TMV3 Approved: | Approval No: |
| WRAS Approved: | Approval No: |
| Head Function: | |
| Handset Function: | |
| Body Jet Info: | |
| Pipe Size: | |
| Pipe Centres: | |
| Colour/Finish: | |
| Hose Included: | |
| No. of Outlets: | |