

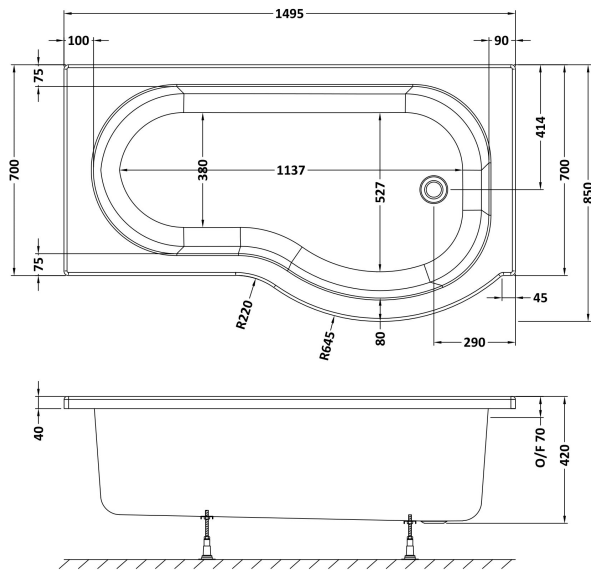
Sales Code: WBP1585R

Description: 1500 X 850 P Shape Bath Rh



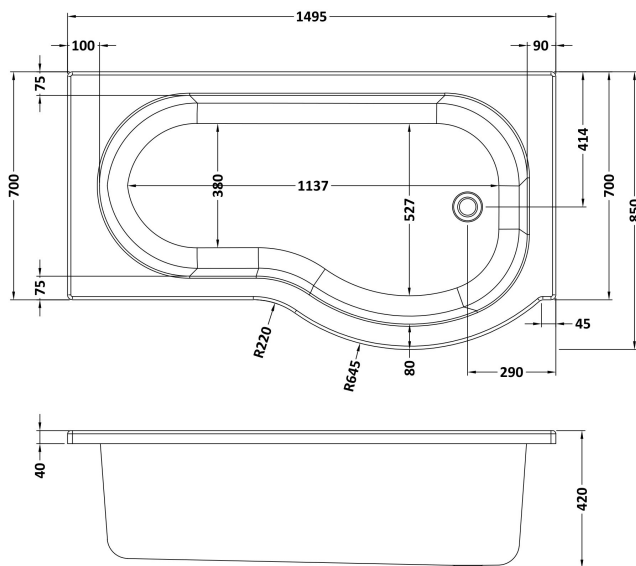
### Packaging Details

Barcode: 5056211822387



**Sales Code:** WBP104

**Description:** 1500mm P Shaped Showerbath Rh



**Product Dimensions**

|                   |      |
|-------------------|------|
| Length (mm):      | 1500 |
| Width (mm):       | 850  |
| Depth (mm):       | 415  |
| Nett Weight (kg): | 19   |

**Packaging Dimensions**

|                    |      |
|--------------------|------|
| Length (mm):       | 1500 |
| Width (mm):        | 900  |
| Depth (mm):        | 415  |
| Gross Weight (kg): | 19   |

**Packaging Data**

|               |                        |
|---------------|------------------------|
| Box Colour:   | Brown Cardboard Sleeve |
| Box Qty:      | 1                      |
| Label Size:   | 300 x 35               |
| Label Colour: | White Label            |
| Label Qty:    | 2                      |

**Outer Box Dimensions (If Applicable)**

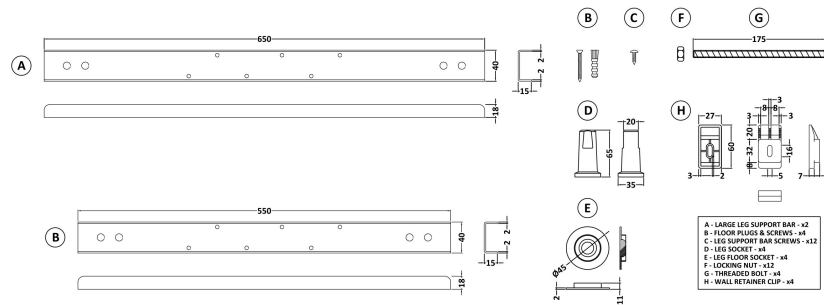
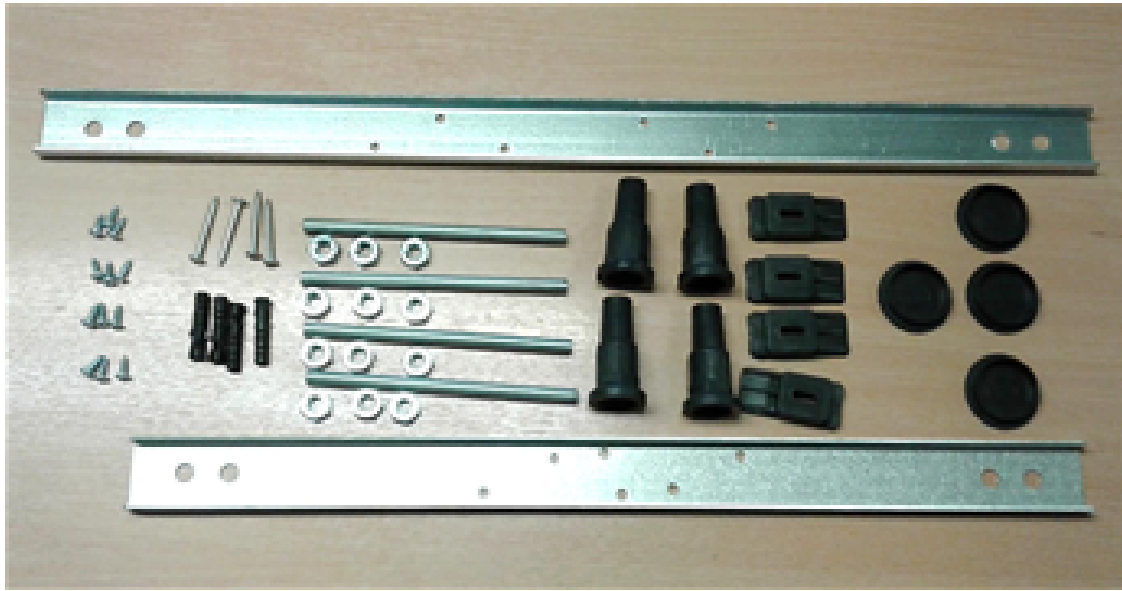
|                    |               |
|--------------------|---------------|
| Length (mm):       |               |
| Width (mm):        |               |
| Height (mm):       |               |
| Gross Weight (kg): |               |
| Barcode:           | 5055275824641 |

**Product Details**

|                            |                 |
|----------------------------|-----------------|
| Country of Origin:         | Turkey          |
| Fitting Instruction:       | No              |
| Certification:             | FSC: CE & UKCA: |
| Material Colour Reference: | European White  |
| Product Material:          | Acrylic         |
| Material Thickness:        | 4mm             |
| Volume (Ltr):              |                 |
| Displaced Capacity:        |                 |
| Leg Set Included:          | Not Applicable  |
| Waste Included:            | Not Applicable  |
| Drilled/Undrilled:         | Not Applicable  |
| Includes Grips:            | Not Applicable  |
| Embossed:                  | Not Applicable  |
| No of Tapholes:            | None            |
| Anti-Slip:                 | Not Applicable  |

Sales Code: WBL001

Description: Bath Leg Set



**Product Dimensions**

|                   |     |
|-------------------|-----|
| Length (mm):      | 650 |
| Width (mm):       | 650 |
| Depth (mm):       | 60  |
| Nett Weight (kg): | 2.5 |

**Packaging Dimensions**

|                    |     |
|--------------------|-----|
| Length (mm):       | 665 |
| Width (mm):        | 55  |
| Depth (mm):        | 42  |
| Gross Weight (kg): | 2.5 |

**Packaging Data**

|               |                        |
|---------------|------------------------|
| Box Colour:   | Brown Cardboard Sleeve |
| Box Qty:      | 1                      |
| Label Size:   | 100 x 50               |
| Label Colour: | White Label            |
| Label Qty:    | 2                      |

**Outer Box Dimensions (If Applicable)**

|                    |               |
|--------------------|---------------|
| Length (mm):       |               |
| Width (mm):        |               |
| Height (mm):       |               |
| Gross Weight (kg): |               |
| Barcode:           | 5056211809197 |

**Product Details**

|                            |                 |
|----------------------------|-----------------|
| Country of Origin:         | Poland          |
| Fitting Instruction:       | No              |
| Certification:             | FSC: CE & UKCA: |
| Material Colour Reference: |                 |
| Product Material:          |                 |
| Material Thickness:        |                 |
| Volume (Ltr):              |                 |
| Displaced Capacity:        |                 |
| Leg Set Included:          |                 |
| Waste Included:            |                 |
| Drilled/Undrilled:         |                 |
| Includes Grips:            |                 |
| Embossed:                  |                 |
| No of Tapholes:            |                 |
| Anti-Slip:                 |                 |