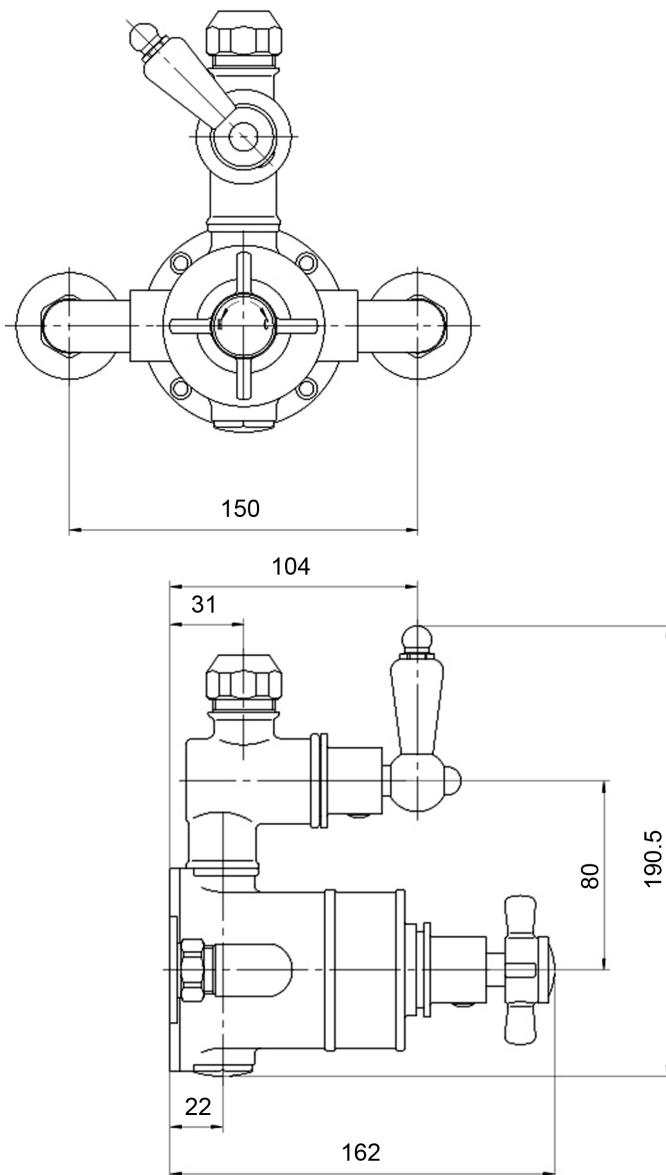


Sales Code: A3056

Description: Beaumont Twin Exposed Valve



Product Dimensions

Length (mm):	
Width (mm):	150
Height (mm):	190
Depth (mm):	162
Nett Weight (kg):	2.65

Packaging Dimensions

Length (mm):	245
Width (mm):	215
Height (mm):	170
Gross Weight (kg):	3.14

Packaging Data

Box Colour:	White Cardboard Box
Box Qty:	1
Label Size:	100 x 50
Label Colour:	White Label
Label Qty:	2

Outer Box Dimensions (If Applicable)

Length (mm):	
Width (mm):	500
Height (mm):	370
Depth (mm):	455
Gross Weight (kg):	26
Barcode:	5055146184102

Product Details

Country of Origin:	United Kingdom
Fitting Instruction:	No
Product Material:	Brass
Mount Type:	Wall, Surface
Outlet Elbow Supplied:	No
Easy Clean:	Not Applicable
Head Included:	No
Handset Included:	No
Body Jets Included:	No
No of Body Jets:	Not Applicable
Operating Pressure (bar):	0.1
Valve/Cartridge Type:	1/4 Turn Ceramic Disc
Flow Rates (L/min):	0.1 bar: 4.5 0.5 bar: 13 1 bar: 18.5 2 bar: 26 3 bar: 33
TMV2 Approved:	No Approval No: N/A
TMV3 Approved:	No Approval No: N/A
WRAS Approved:	No Approval No: N/A
Head Function:	Not Applicable
Handset Function:	Not Applicable
Body Jet Info:	Not Applicable
Pipe Size:	15 mm (1/2" Bsp)
Pipe Centres:	150 mm
Colour/Finish:	Chrome
Hose Included:	Not Applicable
No. of Outlets:	1