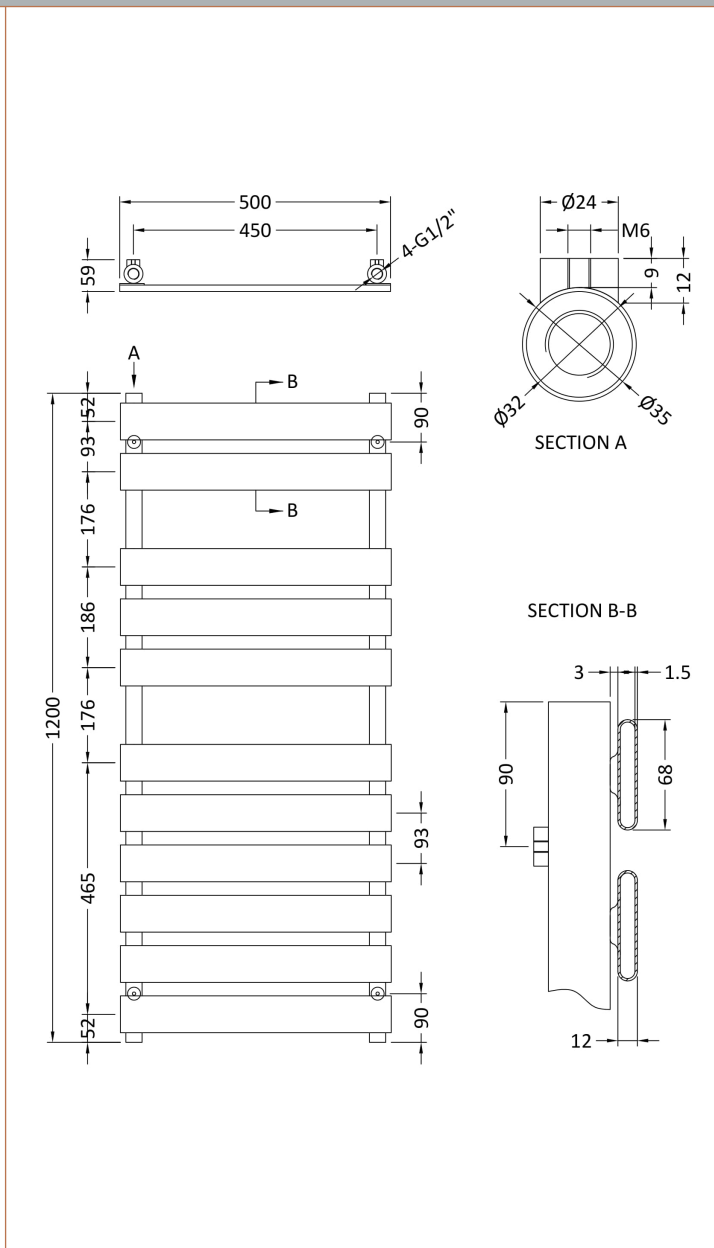


Sales Code: HL396

Description: Piazza (11 Bar) Towel Rail 1200mmx500mm



**Product Dimensions**

|                   |       |
|-------------------|-------|
| Height (mm):      | 1200  |
| Width (mm):       | 500   |
| Depth (mm):       | 59    |
| Length (mm):      |       |
| Nett Weight (kg): | 12.46 |

**Packaging Dimensions**

|                    |       |
|--------------------|-------|
| Height (mm):       | 67    |
| Width (mm):        | 500   |
| Length (mm):       | 1200  |
| Gross Weight (kg): | 14.46 |

**Packaging Data**

|               |                               |
|---------------|-------------------------------|
| Box Colour:   | White Cardboard Shrinkwrapped |
| Box Qty:      | 1                             |
| Label Size:   | 100 x 50                      |
| Label Colour: | White Label                   |
| Label Qty:    | 2                             |

**Outer Box Dimensions (If Applicable)**

|                    |               |
|--------------------|---------------|
| Height (mm):       |               |
| Width (mm):        |               |
| Length (mm):       |               |
| Gross Weight (kg): |               |
| Barcode:           | 5055369021260 |

**Product Details**

|                                     |  |
|-------------------------------------|--|
| Country of Origin:                  | China                                    |
| Fitting Instruction:                | No                                       |
| Certification:                      | CE & UKCA: No    RoHS: N/A    WEEE: N/A  |
| Colour/Finish:                      | Chrome                                   |
| RAL No:                             | N/A                                      |
| Product Material:                   | Steel                                    |
| Heat Element Wattage:               | Not Applicable                           |
| Heating Element Wattage Compatible: | N/A                                      |
| BTU Outputs:                        | 30°C / 550    50°C / 1058    60°C / 1340 |
| Thermal Outputs: (Watts)            | 30°C / 161    50°C / 310    60°C / 391   |
| Pipe Centres - If Vertical:         | 450mm                                    |
| Pipe Centres - If Horizontal:       | N/A                                      |
| Max Projection:                     | 125mm                                    |
| Tube Diameter:                      | N/A                                      |
| Packaging Volume (L):               | 59                                       |
| Wall to Centre of Tappings:         | N/A                                      |
| Floor to Centre of Tappings:        | 78                                       |
| Dual Fuel:                          | N/A                                      |
| IP Rating:                          |  |