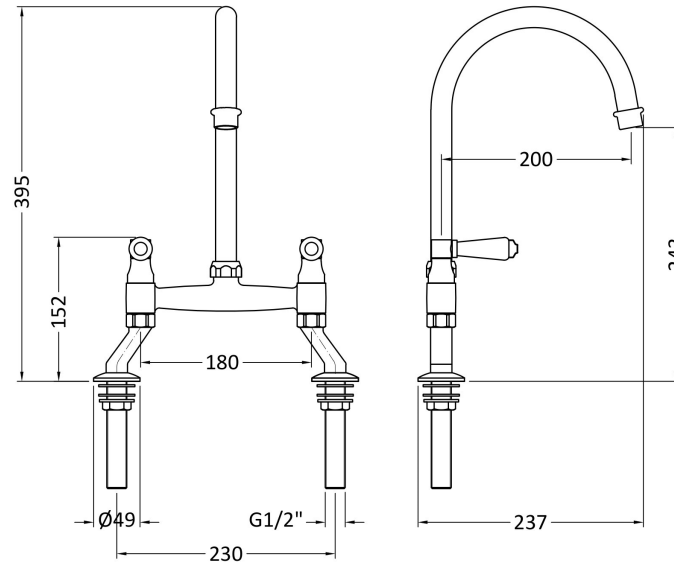


Sales Code: KB317

Description: Bridge Sink Mixer With Topaz Lever



Product Dimensions

| | |
|-------------------|------|
| Height (mm): | 510 |
| Width (mm): | 235 |
| Depth (mm): | 200 |
| Length (mm): | |
| Nett Weight (kg): | 1.63 |

Packaging Dimensions

| | |
|--------------------|------|
| Height (mm): | 75 |
| Width (mm): | 320 |
| Depth (mm): | 410 |
| Gross Weight (kg): | 1.83 |

Packaging Data

| | |
|---------------|---------------------|
| Box Colour: | Brown Cardboard Box |
| Box Qty: | 1 |
| Label Size: | 100 x 50 |
| Label Colour: | White Label |
| Label Qty: | 1 |

Outer Box Dimensions (If Applicable)

| | |
|--------------------|---------------|
| Height (mm): | 395 |
| Width (mm): | 335 |
| Depth (mm): | 425 |
| Length (mm): | |
| Gross Weight (kg): | 9 |
| Barcode: | 5055275869925 |

Product Details

| | |
|---------------------------|-----------------------|
| Country of Origin: | China |
| Fitting Instruction: | No |
| Product Material: | Brass |
| Control Type: | Manual |
| Waste Included: | Waste Not Included |
| Waste Type: | Not Applicable |
| WRAS Approval: | No |
| Approval No: | N/A |
| Valve/Cartridge Type: | 1/4 Turn Ceramic Disc |
| Colour/Finish: | Chrome |
| Mount Type: | Deck |
| Operating Pressure (bar): | 0.5 |

Flow Rates: (Litres Per Min) 0.1 bar: 4.1 0.5 bar: 8.1 1 bar: 11.3 2 bar: 15.9 3 bar: 19.5

Pipe Size: 15 mm (1/2" Bsp)

Pipe Centres: N/A