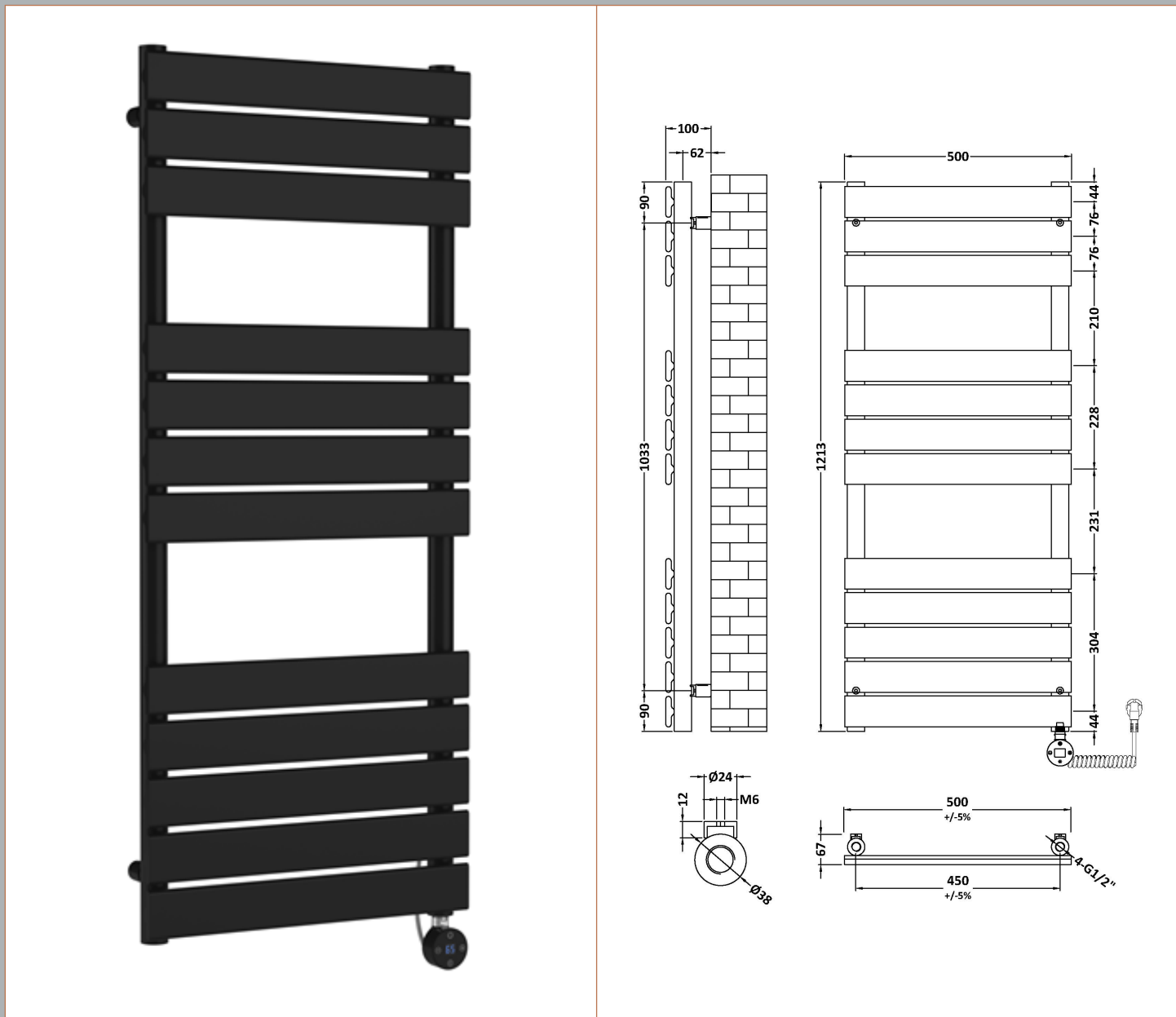


Sales Code: HL459

Description: Electric Flat Towel Rail 12 Bar 1213X500



Product Dimensions	
Height (mm):	1213
Width (mm):	500
Depth (mm):	30
Length (mm):	
Nett Weight (kg):	23
Packaging Dimensions	
Height (mm):	1364
Width (mm):	600
Length (mm):	105
Gross Weight (kg):	27
Packaging Data	
Box Colour:	Brown Cardboard Box
Box Qty:	1
Label Size:	190 x 75
Label Colour:	White Label
Label Qty:	1
Outer Box Dimensions (If Applicable)	
Height (mm):	
Width (mm):	
Length (mm):	
Gross Weight (kg):	
Barcode:	5056678451762
Product Details	
Country of Origin:	China
Fitting Instruction:	No
Certification:	CE & UKCA: Yes RoHS: Yes WEEE: Yes
Colour/Finish:	Matt Black
RAL No:	Ral 7016
Product Material:	Steel
Heat Element Wattage:	600 W
Heating Element Wattage Compatible:	Yes
BTU Outputs:	30°C / 1102 50°C / 2081 60°C / 2603
Thermal Outputs: (Watts)	30°C / 323 50°C / 610 60°C / 763
Pipe Centres - If Vertical:	450 mm
Pipe Centres - If Horizontal:	N/A
Max Projection:	110 mm
Tube Diameter:	70
Packaging Volume (L):	
Wall to Centre of Tappings:	>200
Floor to Centre of Tappings:	62-72mm
Dual Fuel:	No
IP Rating:	Ip64 Ingress Protection