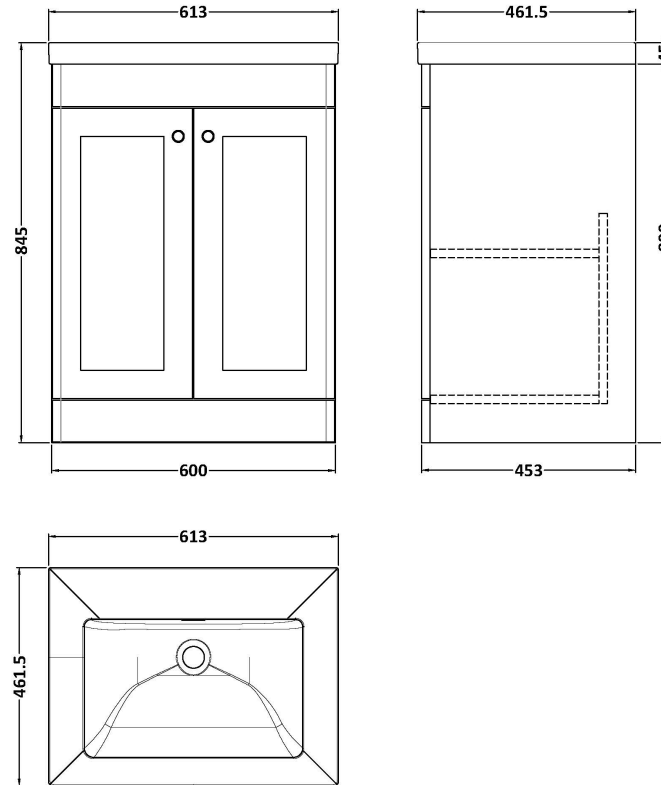


Sales Code: CLC1425K

Description: 600 Fs 2-Door Unit & Basin 0Th

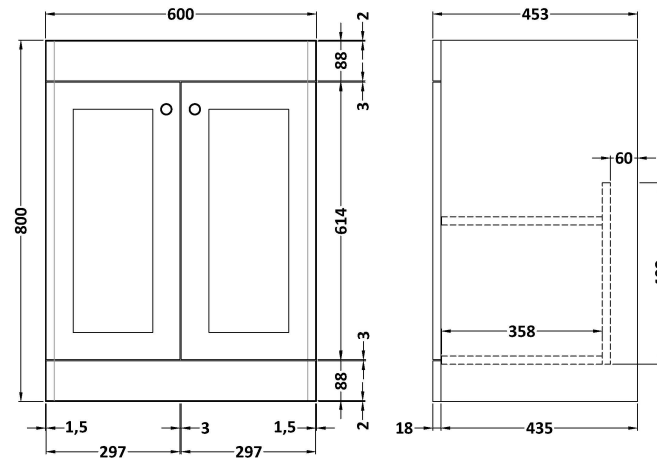


### Packaging Details

Barcode: 5056678489765

Sales Code: CLA1425

Description: 600 F/S 2-Door Unit (800X600x453)



### Product Dimensions

|                   |      |
|-------------------|------|
| Height (mm):      | 800  |
| Width (mm):       | 600  |
| Depth (mm):       | 453  |
| Nett Weight (kg): | 25.3 |

### Packaging Dimensions

|                    |      |
|--------------------|------|
| Height (mm):       | 835  |
| Width (mm):        | 625  |
| Depth (mm):        | 480  |
| Gross Weight (kg): | 25.8 |

### Packaging Data

|               |                     |
|---------------|---------------------|
| Box Colour:   | Brown Cardboard Box |
| Box Qty:      | 1                   |
| Label Size:   | 100 x 50            |
| Label Colour: | White Label         |
| Label Qty:    | 2                   |

### Outer Box Dimensions (If Applicable)

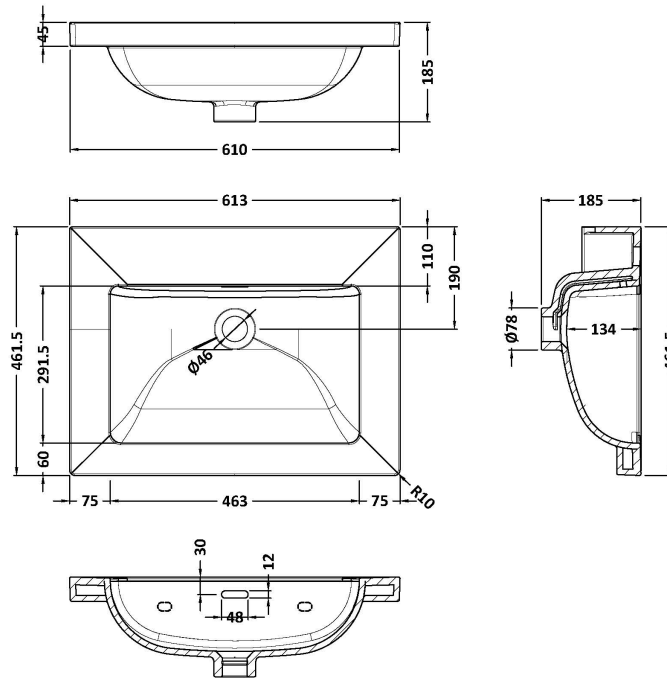
|                    |               |
|--------------------|---------------|
| Height (mm):       |               |
| Width (mm):        |               |
| Depth (mm):        |               |
| Gross Weight (kg): |               |
| Barcode:           | 5056462643175 |

### Product Details

|                          |                              |
|--------------------------|------------------------------|
| Country of Origin:       | China                        |
| Fitting Instruction:     | No                           |
| CE & UKCA:               | N/A                          |
| FSC Certified Materials: | Yes                          |
| Colour:                  | Satin Soft Black             |
| Construction Method:     | Cam & Wood Dowel             |
| Construction Type:       | Rigid                        |
| Cabinet Finish:          | MFC Painted Matt             |
| Fascia Finish:           | Mdf Painted Matt             |
| Cabinet Thickness (mm):  | 18                           |
| Fascia Thickness (mm):   | 18                           |
| Drawer Included:         | No                           |
| Drawer Type:             | Not Applicable               |
| No of Shelves:           | 1                            |
| Hinge Type:              | 95 Degree Clip-On Soft Close |
| Hinge Included:          | Yes, Supplied                |
| Adjustable Legs:         | No, Not Required             |
| Fixings Included:        | Yes                          |
| Handle Style:            | Traditional                  |
| Waste Shroud:            | Not Applicable               |
| Handle Included:         | Yes, Supplied                |
| Handle Type:             | Knob                         |

Sales Code: CBM613

Description: 600 X 460 Contemporary Basin 0Th



**Product Dimensions**

|                   |     |
|-------------------|-----|
| Height (mm):      | 45  |
| Width (mm):       | 613 |
| Depth (mm):       | 461 |
| Nett Weight (kg): | 17  |

**Packaging Dimensions**

|                    |      |
|--------------------|------|
| Height (mm):       | 490  |
| Width (mm):        | 650  |
| Depth (mm):        | 220  |
| Gross Weight (kg): | 17.3 |

**Packaging Data**

|               |                               |
|---------------|-------------------------------|
| Box Colour:   | Brown Cardboard Box - Printed |
| Box Qty:      | 1                             |
| Label Size:   | 100 x 50                      |
| Label Colour: | White Label                   |
| Label Qty:    | 2                             |

**Outer Box Dimensions (If Applicable)**

|                    |               |
|--------------------|---------------|
| Height (mm):       |               |
| Width (mm):        |               |
| Depth (mm):        |               |
| Gross Weight (kg): |               |
| Barcode:           | 5056678485224 |

**Product Details**

|                           |                |                        |
|---------------------------|----------------|------------------------|
| Country of Origin:        | Utd.Arab.Emir. |                        |
| Fitting Instruction:      | No             |                        |
| Certification: CE & UKCA: | No             | WRAS: N/A WRAS No: N/A |
| Product Material:         | Fireclay       |                        |
| Fixing Supplied:          | No             |                        |

**Pans/Bidets:** Trap Style: N/A Includes Seat: Not Applicable

**Seats:** Seat Type: N/A Material: Not Applicable  
 Function: Not Applicable Hinge Type: Not Applicable  
 Hinge Material: Not Applicable

**Cisterns:** Operating Type: Not Applicable Fittings: Not Applicable  
 Lever Type: Not Applicable

**Basins:** Tap Hole: Not Applicable Chain Stay Hole: No  
 Template: Not Required Waste Type Req: Slotted  
 Overflow Inc: Yes Overflow Cover: Yes  
 Inner Bowl Depth (mm): 135 mm