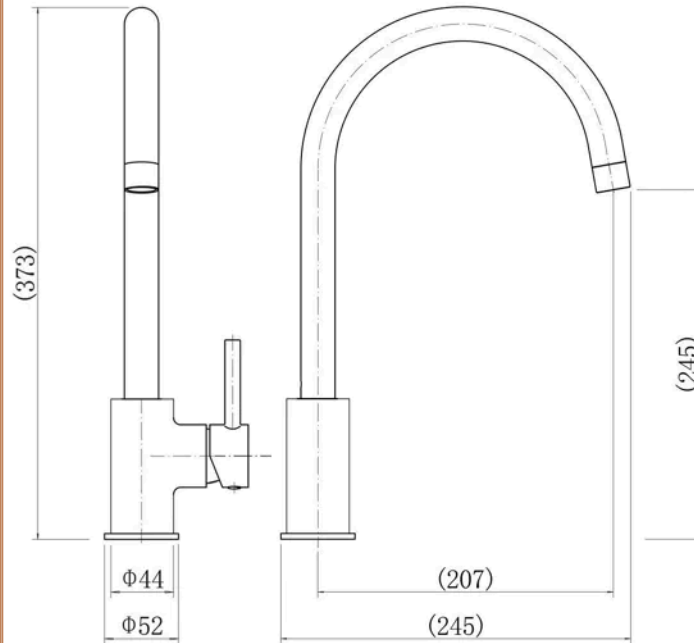


Sales Code: KAN305SL

Barcode: 5056817752415

Brand: nuie

Description: nuie Chrome Single Lever Kitchen Tap



Product Dimensions

| | |
|-----------------|------------------------------|
| Product | 373 x 52 x 245mm (H x W x D) |
| Packaged | 55 x 230 x 420mm (H x W x D) |
| Nett Weight | 1.43 kg |
| Packaged Weight | 1.43 kg |

Product Details

| | |
|----------------------------|--------------|
| Country of Origin | China |
| Product Material | Brass |
| Control Type | Manual |
| WRAS Approved | Yes |
| Colour/Finish | Chrome |
| Mount Type | Deck |
| Style | Contemporary |
| Handle Type | Lever |
| Handset Included | No |
| Hose Included | No |
| Min Operating Pressure | 0.5 Bar |
| Minimum Operation Pressure | 1 Bar |
| Waste Included | No |