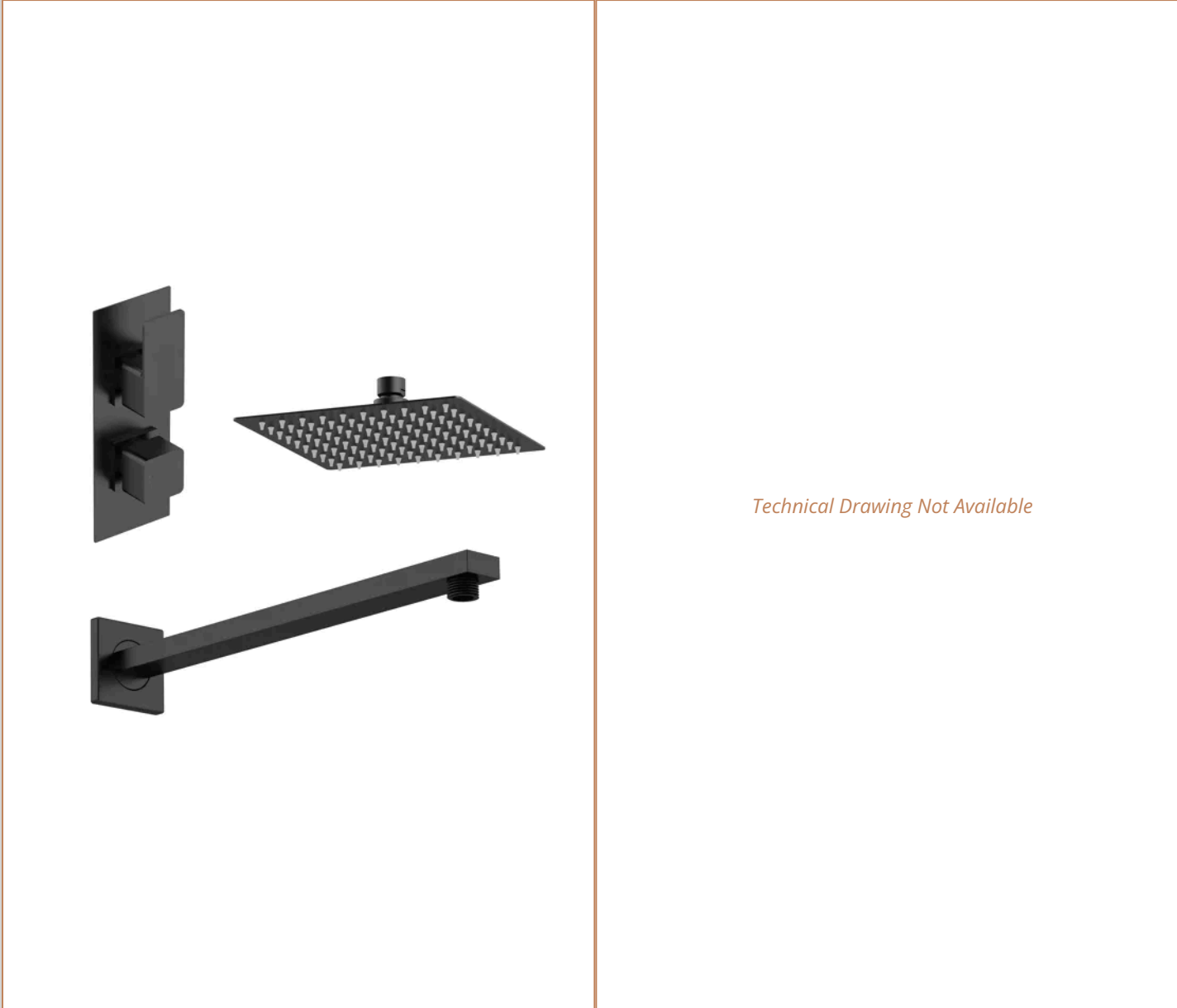


Sales Code:
SBS41TW1

Barcode: 5056817792190

Brand: nuie

Description: nuie Windon Matt Black Twin Thermostatic Valve, Square Wall-Mounted Shower Arm And Fixed Head



Technical Drawing Not Available

Product Dimensions

Nett Weight	4.07 kg
Packaged Weight	4.07 kg

Product Details

Country of Origin	United Kingdom
Product Material	Abs,Brass,Stainless Steel
Control Type	Manual
WRAS Approved	Yes
Valve/Cartridge Type	1/4 Turn
Colour/Finish	Matt Black
Mount Type	Recessed/Wall,Surface
Style	Contemporary
Handle Type	Lever/Square
TMV2 Approved	Yes
TMV3 Approved	No
Head Included	Yes
Min Operating Pressure	0.1 Bar
Minimum Operation Pressure	0 Bar
No. Outlets	1.0000
Tmv2 Approval Number	2603035
Valve / Cartridge Type	1/4 Turn
Wras Approval No	250602040