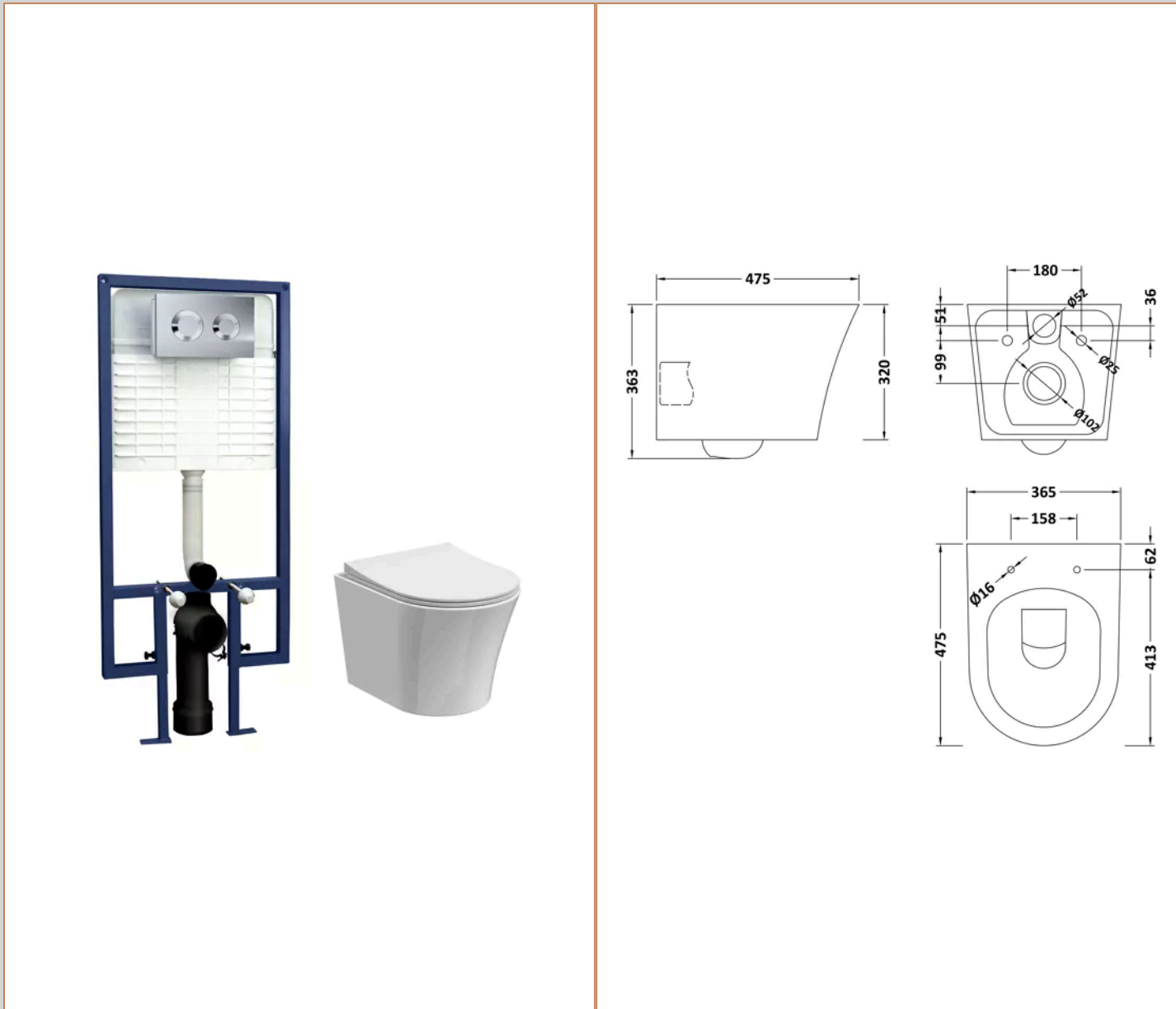


Sales Code: CEZFE001

Barcode: 5056883737972

Brand: nuie

Description: nuie In5in1 Round Wall Hung Pan & Concealed Chrome Cistern With Cistern



Product Dimensions

| | |
|-----------------|-------------------------------|
| Product | 363 x 365 x 475mm (H x W x D) |
| Packaged | 420 x 395 x 540mm (H x W x D) |
| Nett Weight | 24 kg |
| Packaged Weight | 25 kg |

Product Details

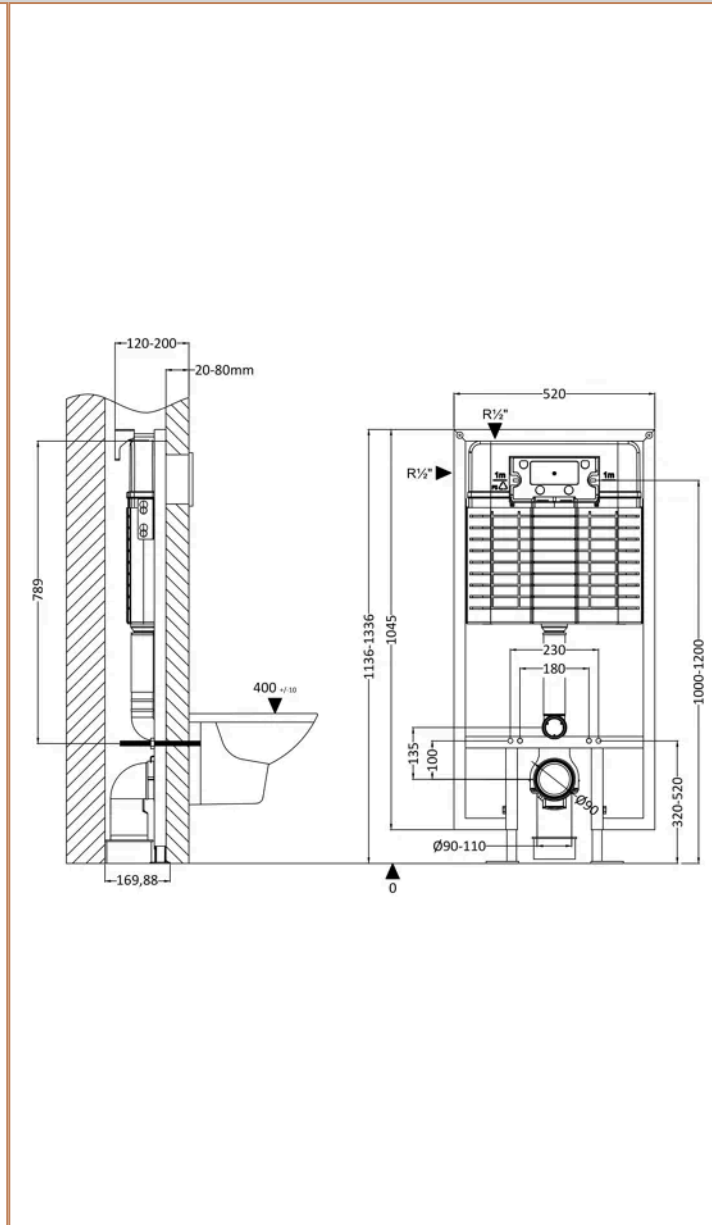
| | |
|----------------------------|----------------|
| Country of Origin | China |
| Product Material | Vitreous China |
| Colour/Finish | White/Chrome |
| Style | Contemporary |
| Ce Certified | Yes |
| Flush Operating Type | Push Button |
| Includes Seat | Yes |
| Pan Type | Wall Hung |
| Toilet Seat Hinge Material | Metal |
| Toilet Seat Hinge Type | Top Fix |
| Toilet Seat Type | Sandwich |

Sales Code: XTY009

Barcode: 5056211854319

Brand: Hudson Reed

Description: Hudson Reed Dual Flush Concealed Cistern With Frame



Product Dimensions

| | |
|-----------------|--------------------------------|
| Product | 1136 x 520 x 204mm (H x W x D) |
| Packaged | 160 x 560 x 160mm (H x W x D) |
| Nett Weight | 11.17 kg |
| Packaged Weight | 11.17 kg |

Product Details

| | |
|-------------------|-----------------|
| Country of Origin | China |
| Product Material | Stainless Steel |
| Colour/Finish | Chrome |
| Style | Contemporary |

Sales Code: XTY009PR

Barcode: 5056211855279

Brand: Hudson Reed

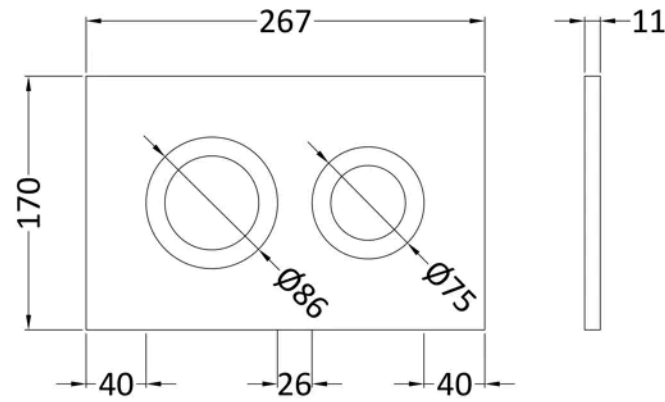
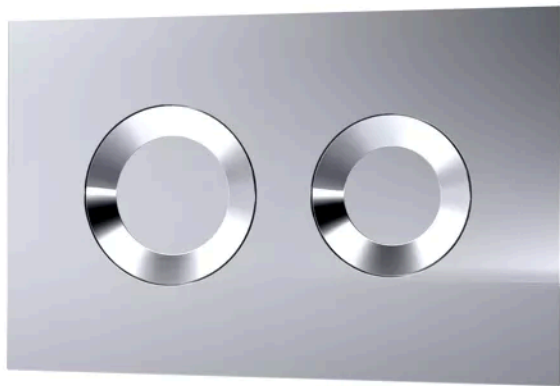
Description: Hudson Reed Round Chrome Dual Flush Push Button

Product Dimensions

| | |
|-----------------|------------------------------|
| Product | 170 x 267 x 11mm (H x W x D) |
| Packaged | 175 x 300 x 11mm (H x W x D) |
| Nett Weight | 0.01 kg |
| Packaged Weight | 0.01 kg |

Product Details

| | |
|-------------------|-----------------|
| Country of Origin | United Kingdom |
| Product Material | Stainless Steel |
| Colour/Finish | Chrome |
| Style | Contemporary |

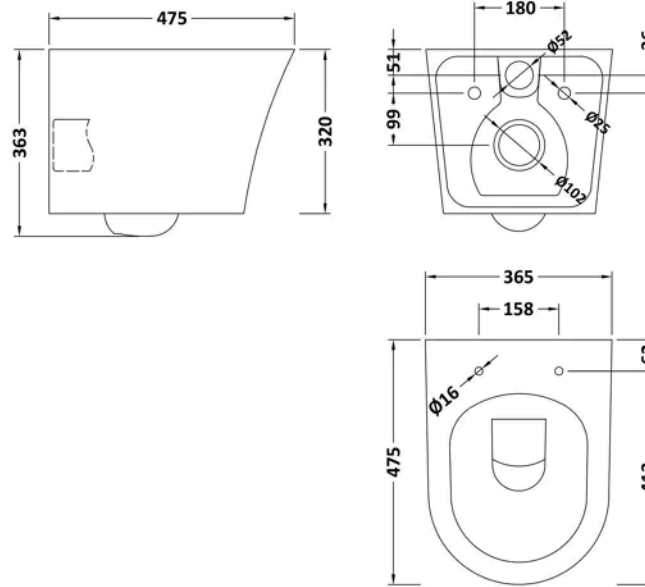


Sales Code: NCG341

Barcode: 5056462694832

Brand: nuie

Description: nuie Fenton Rimless Wall Hung Toilet



Product Dimensions

| | |
|-----------------|-------------------------------|
| Product | 363 x 365 x 475mm (H x W x D) |
| Packaged | 420 x 395 x 540mm (H x W x D) |
| Nett Weight | 24 kg |
| Packaged Weight | 25 kg |

Product Details

| | |
|-------------------|----------------|
| Country of Origin | China |
| Product Material | Vitreous China |
| Colour/Finish | White |
| Style | Contemporary |
| Ce Certified | Yes |
| Includes Seat | Yes |
| Pan Type | Wall Hung |