

Sales Code: CEZRL002

Barcode: 5056883738023

Brand: nuie

Description: nuie In5in1 Round Wall Hung Pan & Concealed Cistern With Cistern



Product Dimensions

| | |
|-----------------|-------------------------------|
| Product | 363 x 350 x 480mm (H x W x D) |
| Packaged | 430 x 435 x 540mm (H x W x D) |
| Nett Weight | 28 kg |
| Packaged Weight | 32 kg |

Product Details

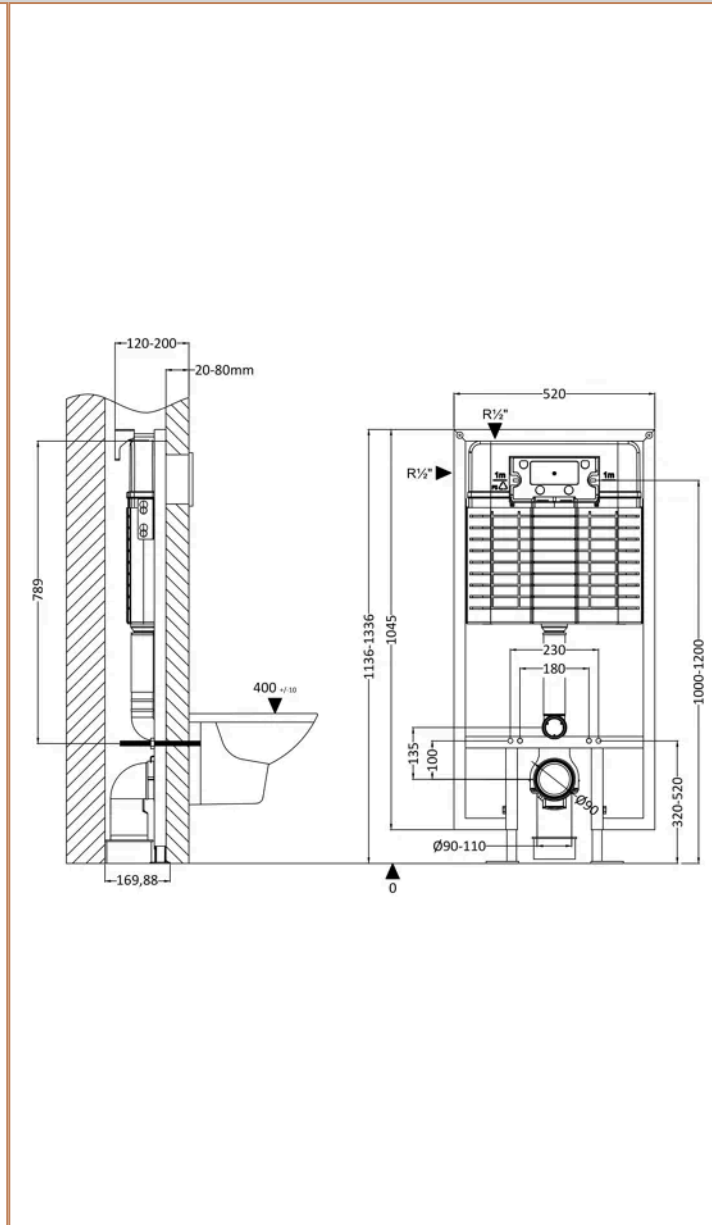
| | |
|----------------------------|----------------|
| Country of Origin | China |
| Product Material | Vitreous China |
| Colour/Finish | White |
| Style | Contemporary |
| Ce Certified | Yes |
| Flush Operating Type | Push Button |
| Includes Seat | Yes |
| Pan Type | Wall Hung |
| Toilet Seat Hinge Material | Metal |
| Toilet Seat Hinge Type | Top Fix |

Sales Code: XTY009

Barcode: 5056211854319

Brand: Hudson Reed

Description: Hudson Reed Dual Flush Concealed Cistern With Frame



Product Dimensions

| | |
|-----------------|--------------------------------|
| Product | 1136 x 520 x 204mm (H x W x D) |
| Packaged | 160 x 560 x 160mm (H x W x D) |
| Nett Weight | 11.17 kg |
| Packaged Weight | 11.17 kg |

Product Details

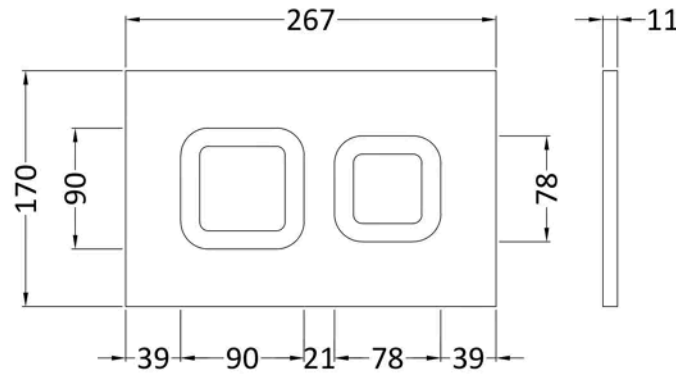
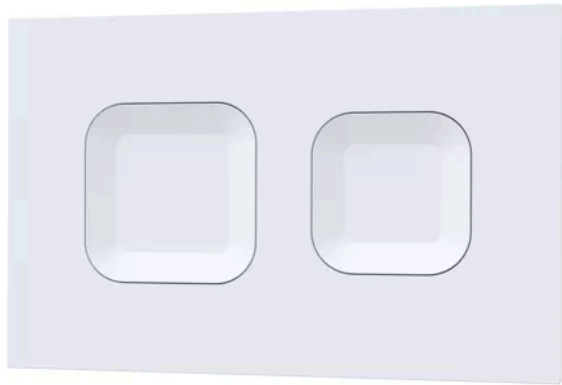
| | |
|-------------------|-----------------|
| Country of Origin | China |
| Product Material | Stainless Steel |
| Colour/Finish | Chrome |
| Style | Contemporary |

Sales Code: XTY009PS1

Barcode: 5056678435472

Brand: Hudson Reed

Description: Hudson Reed Square White Dual Flush Push Button



Product Dimensions

| | |
|-----------------|------------------------------|
| Product | 170 x 267 x 11mm (H x W x D) |
| Packaged | 50 x 220 x 290mm (H x W x D) |
| Nett Weight | 0.5 kg |
| Packaged Weight | 0.5 kg |

Packaging Details

| | |
|-----------------|----------|
| Label Size (mm) | 50 x 100 |
| Label Colour | White |
| Label Qty | 2.0000 |

Product Details

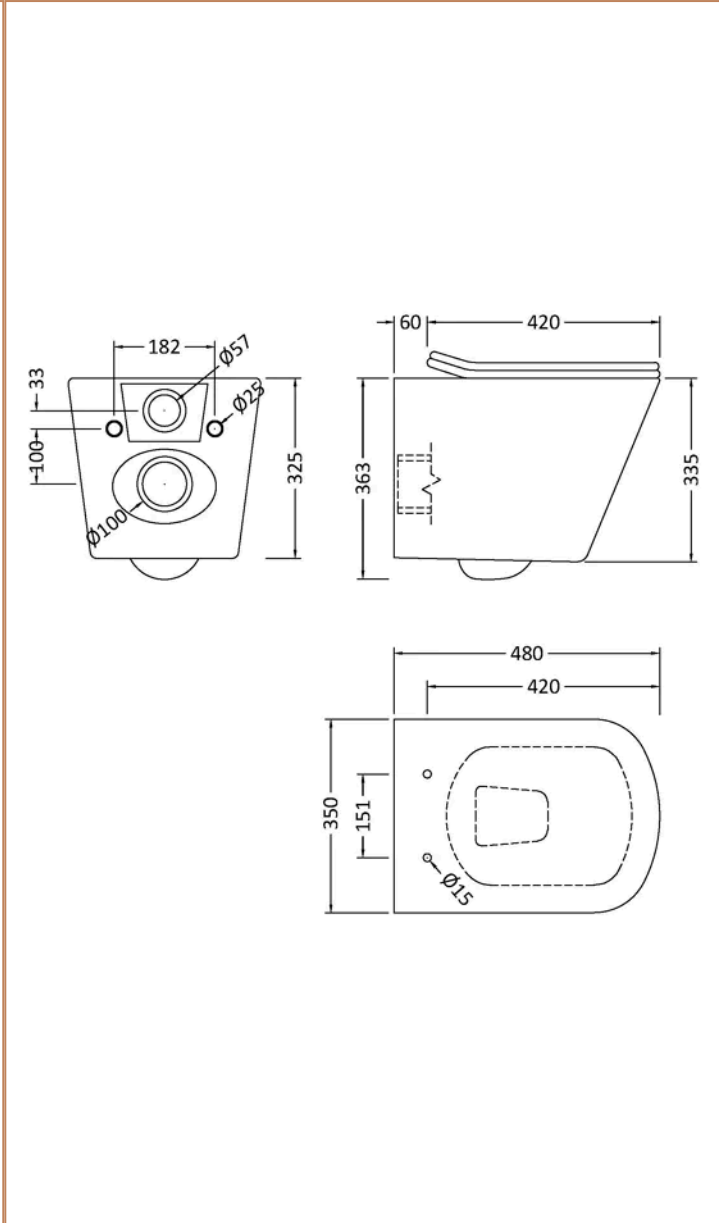
| | |
|-------------------|-----------------|
| Country of Origin | China |
| Product Material | Stainless Steel |
| Colour/Finish | White |
| Style | Contemporary |
| Ce Certified | Yes |
| Ukca Certified | Yes |

Sales Code: NCG440

Barcode: 5056462623214

Brand: nuie

Description: nuie Orlen Wall Hung Toilet



Product Dimensions

| | |
|-----------------|-------------------------------|
| Product | 363 x 350 x 480mm (H x W x D) |
| Packaged | 430 x 435 x 540mm (H x W x D) |
| Nett Weight | 28 kg |
| Packaged Weight | 32 kg |

Product Details

| | |
|-------------------|----------------|
| Country of Origin | China |
| Product Material | Vitreous China |
| Colour/Finish | White |
| Style | Contemporary |
| Ce Certified | Yes |
| Includes Seat | Yes |
| Pan Type | Wall Hung |