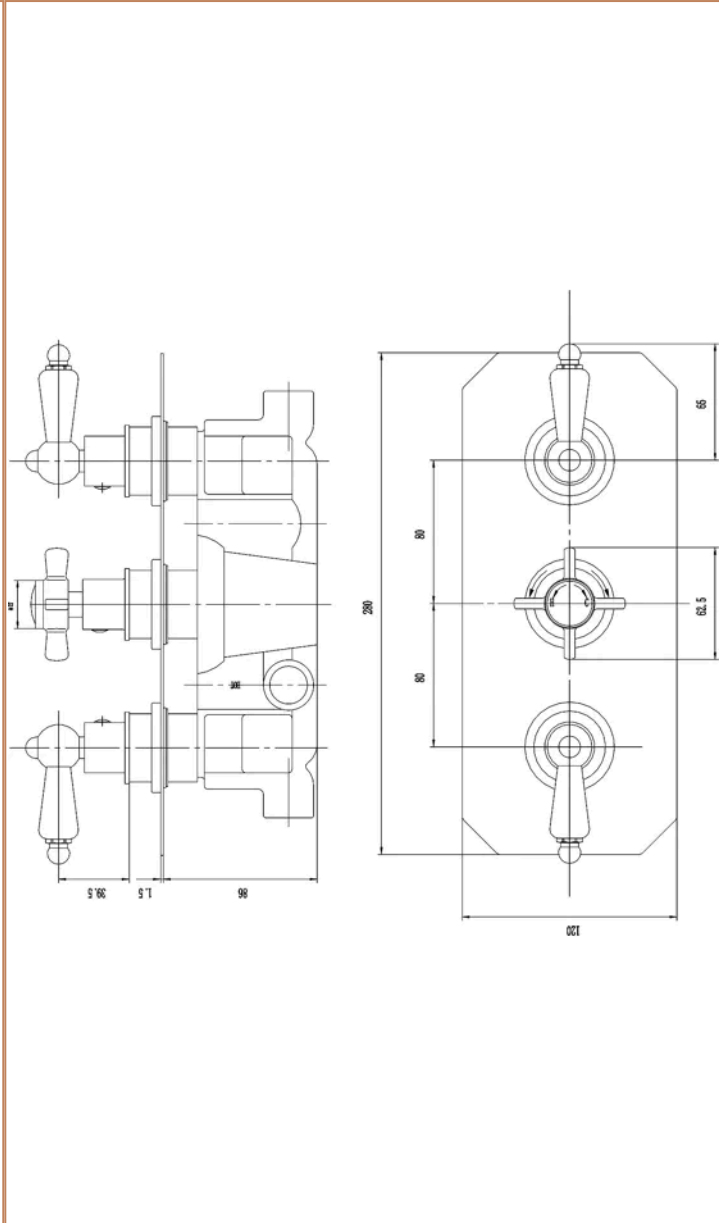


**Sales Code:** A3057

**Barcode:** 5055369030798

**Brand:** nuie

**Description:** nuie Chrome Triple Thermostatic Shower Valve



**Product Dimensions**

Product	280 x 120 x 124mm (H x W x D)
Packaged	110 x 250 x 320mm (H x W x D)
Outer Box	370 x 500 x 355mm (H x W x D)
Nett Weight	3.02 kg
Packaged Weight	3.59 kg

**Packaging Details**

Label Size (mm)	50 x 100
Label Colour	White
Label Qty	2.0000

**Product Details**

Country of Origin	United Kingdom
Product Material	Brass Abs
Control Type	Manual
WRAS Approved	Yes
Valve/Cartridge Type	1/4 Turn
Colour/Finish	Chrome
Mount Type	Recessed/Wall
Style	Traditional
Handle Type	Crosshead/Lever
TMV2 Approved	Yes
TMV3 Approved	No
Handset Included	No
Head Included	No
Min Operating Pressure	0.1 Bar
Minimum Operation Pressure	0 Bar
No. Outlets	2.0000
Outlet Elbow Supplied	No
Tmv2 Approval Number	2603035
Valve / Cartridge Type	1/4 Turn
Wras Approval No	250602040