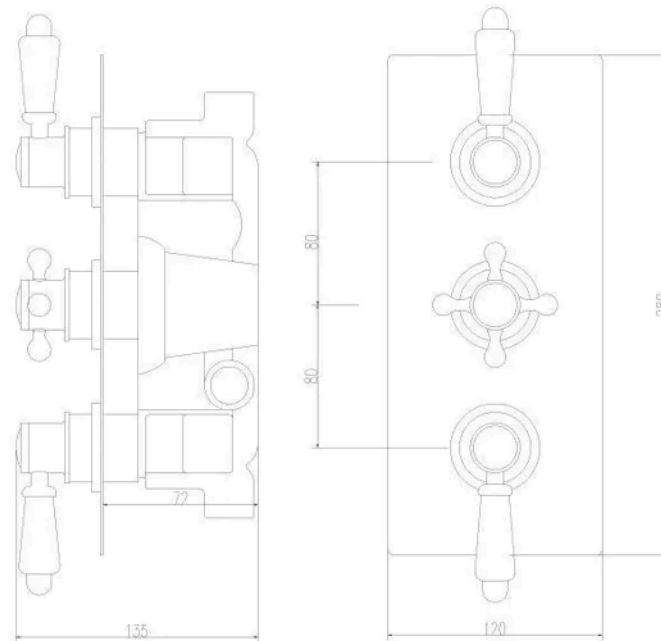


Sales Code: ITY315

Barcode: 5055146193975

Brand: nuie

Description: nuie Victorian Chrome Triple Thermostatic Shower Valve



Product Dimensions

| | |
|-----------------|-------------------------------|
| Product | 280 x 120 x 135mm (H x W x D) |
| Packaged | 110 x 250 x 320mm (H x W x D) |
| Outer Box | 415 x 520 x 265mm (H x W x D) |
| Nett Weight | 3.54 kg |
| Packaged Weight | 3.54 kg |

Packaging Details

| | |
|-----------------|----------|
| Label Size (mm) | 50 x 100 |
| Label Colour | White |
| Label Qty | 2.0000 |

Product Details

| | |
|----------------------------|-----------------|
| Country of Origin | United Kingdom |
| Product Material | Brass Abs |
| Control Type | Manual |
| WRAS Approved | Yes |
| Valve/Cartridge Type | 1/4 Turn |
| Colour/Finish | Chrome |
| Mount Type | Recessed/Wall |
| Style | Traditional |
| Handle Type | Crosshead/Lever |
| TMV2 Approved | Yes |
| TMV3 Approved | No |
| Handset Included | No |
| Head Included | No |
| Min Operating Pressure | 0.1 Bar |
| Minimum Operation Pressure | 0 Bar |
| No. Outlets | 2.0000 |
| Outlet Elbow Supplied | No |
| Tmv2 Approval Number | 2603035 |
| Valve / Cartridge Type | 1/4 Turn |
| Wras Approval No | 250602040 |