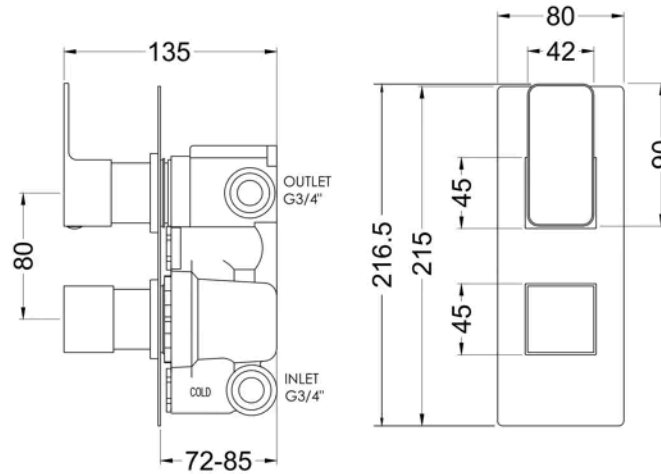


**Sales Code:** WIN4TW02

**Barcode:** 5056462623061

**Brand:** nuie

**Description:** nuie Windon Matt Black Dual Thermostatic Shower Valve With Diverter



### Product Dimensions

|                 |                               |
|-----------------|-------------------------------|
| Product         | 215 x 80 x 135mm (H x W x D)  |
| Packaged        | 110 x 240 x 250mm (H x W x D) |
| Outer Box       | 500 x 420 x 270mm (H x W x D) |
| Nett Weight     | 2.9 kg                        |
| Packaged Weight | 2.9 kg                        |

### Packaging Details

|                 |          |
|-----------------|----------|
| Label Size (mm) | 50 x 100 |
| Label Colour    | White    |
| Label Qty       | 1.0000   |

### Product Details

|                            |                  |
|----------------------------|------------------|
| Country of Origin          | United Kingdom   |
| Product Material           | Brass Abs        |
| Control Type               | Manual           |
| WRAS Approved              | Yes              |
| Valve/Cartridge Type       | 1/4 Turn         |
| Colour/Finish              | Matt Black       |
| Mount Type                 | Recessed/Wall    |
| Style                      | Contemporary     |
| Handle Type                | Lever/Square     |
| TMV2 Approved              | Yes              |
| TMV3 Approved              | No               |
| Pipe Size                  | 22 mm (3/4" BSP) |
| Handset Included           | No               |
| Head Included              | No               |
| Min Operating Pressure     | 0.5 Bar          |
| Minimum Operation Pressure | 1 Bar            |
| No. Outlets                | 2.0000           |
| Outlet Elbow Supplied      | No               |
| Tmv2 Approval Number       | 2603035          |
| Valve / Cartridge Type     | 1/4 Turn         |
| Wras Approval No           | 250602040        |