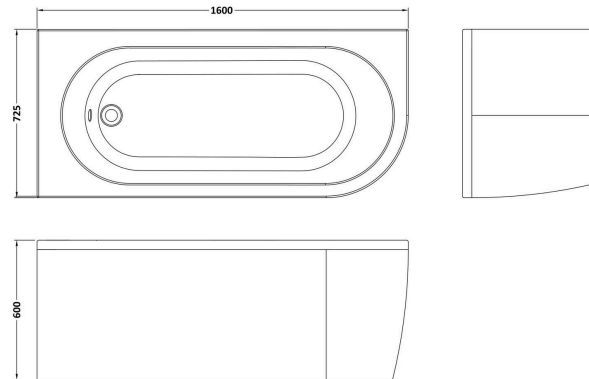


Sales Code: BSG004L

Barcode: 5056883702789

Brand: nuie

Description: nuie Crescent 1600mm Left-Hand Curved Corner Bath With Legs And Panel



Product Dimensions

Product	600 x 725 x 1600mm (H x W x L)
Packaged	400 x 725 x 1600mm (H x W x D)
Nett Weight	30.5 kg
Packaged Weight	30.5 kg

Product Details

Volume	195 Litre
Country of Origin	Egypt
Product Material	Acrylic
Colour/Finish	White
Style	Contemporary
Bath Panel Included	Yes
Ce Certified	Yes
Declaration Of Performance	Yes
Displaced Capacity	120 Litre
Hydrotherapy System	No
Includes Grips	No
Leg Set Included	Yes
Legs Included	Yes
No. Of Tapholes	No Tapholes
Overflow Cover Included	No
Overflow Included	Yes
Tap Included	No
Ukca Certified	Yes
Waste Included	No
Waste Size Required	90mm

Sales Code: NBH207L

Barcode: 5056817766955

Brand: nuie

Description: nuie Crescent 1600mm Left-Hand Curved Corner Bath With Legs



Product Dimensions

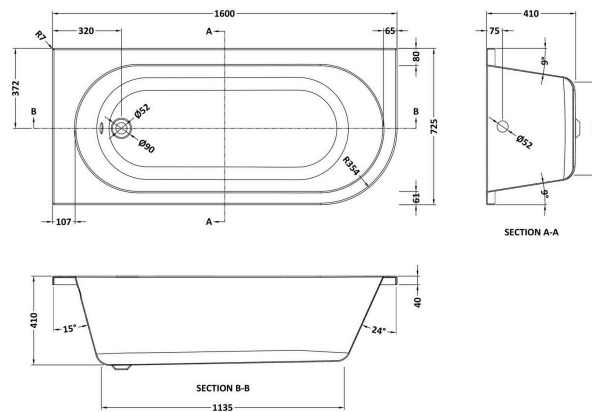
Product	410 x 725 x 1600mm (H x W x L)
Packaged	400 x 725 x 1600mm (H x W x D)
Nett Weight	26 kg
Packaged Weight	26 kg

Packaging Details

Label Size (mm)	40 x 80
Label Colour	White
Label Qty	2.0000

Product Details

Volume	195 Litre
Country of Origin	Egypt
Product Material	Acrylic
Colour/Finish	White
Style	Contemporary
Fixings Included	No
Bath Panel Included	No
Ce Certified	Yes
Displaced Capacity	120 Litre
Includes Grips	No
Leg Set Included	Yes
Legs Included	Yes
No. Of Tapholes	No Tapholes
Overflow Included	Yes
Tap Included	No
Waste Included	No
Waste Size Required	90mm

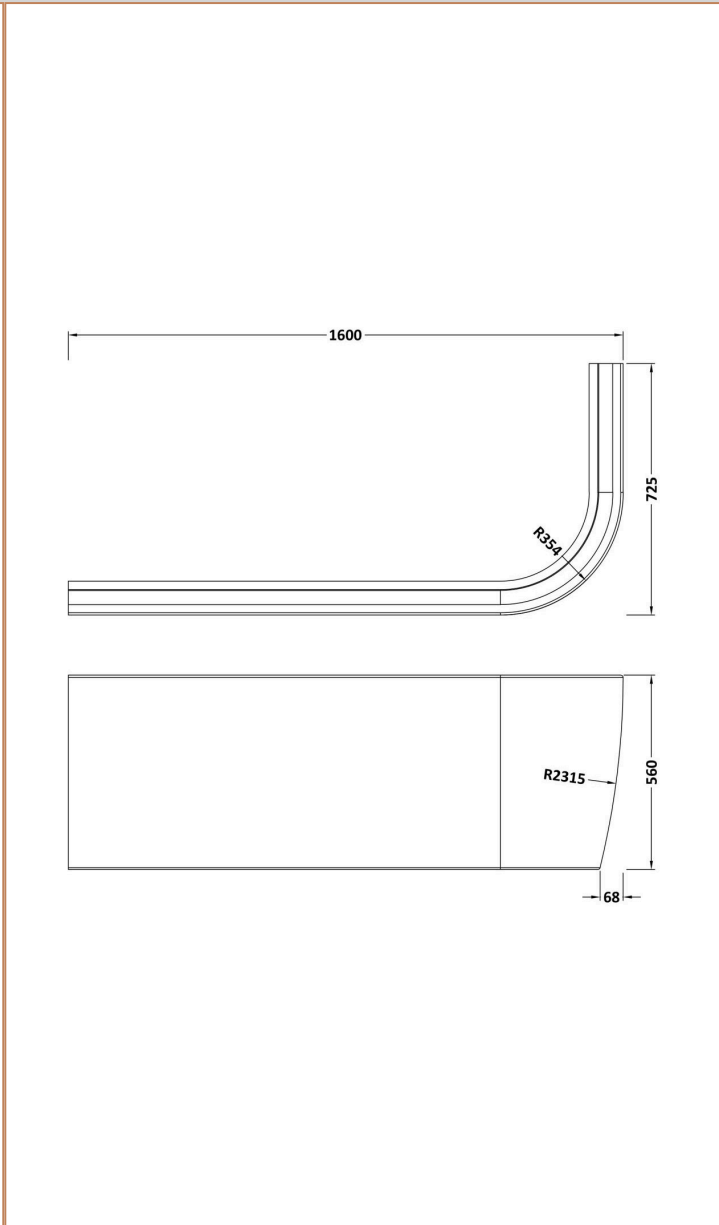


Sales Code: PAN207L

Barcode: 5056817766962

Brand: nuie

Description: nuie 1600 x 560mm Acrylic Corner Bath Left-Hand Panel



Product Dimensions

Product	725 x 560 x 1600mm (H x W x L)
Packaged	400 x 30 x 1600mm (H x W x D)
Nett Weight	4 kg
Packaged Weight	4.5 kg

Packaging Details

Label Size (mm)	40 x 80
Label Colour	White
Label Qty	1.0000

Product Details

Country of Origin	Egypt
Product Material	Acrylic
Colour/Finish	White
Style	Contemporary
Bath Panel Type	Front Panel