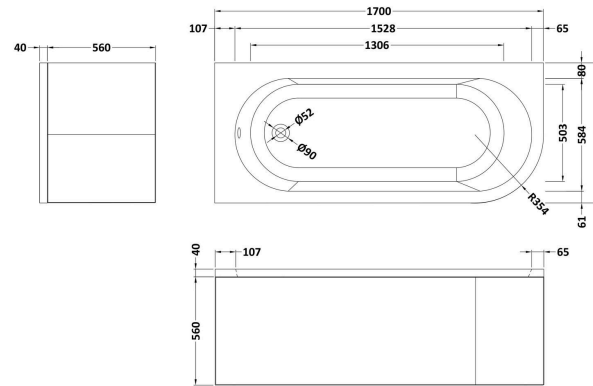
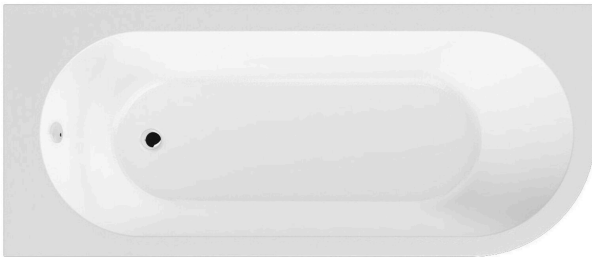


Sales Code: BSG005L

Barcode: 5056462604169

Brand: nuie

Description: nuie Crescent 1700mm Left-Hand Curved Corner Bath With Legs And Panel



Product Dimensions

Product	410 x 725 x 1700mm (H x W x L)
Packaged	400 x 725 x 1700mm (H x W x D)
Nett Weight	28 kg
Packaged Weight	28 kg

Packaging Details

Label Size (mm)	40 x 80
Label Colour	White
Label Qty	2.0000

Product Details

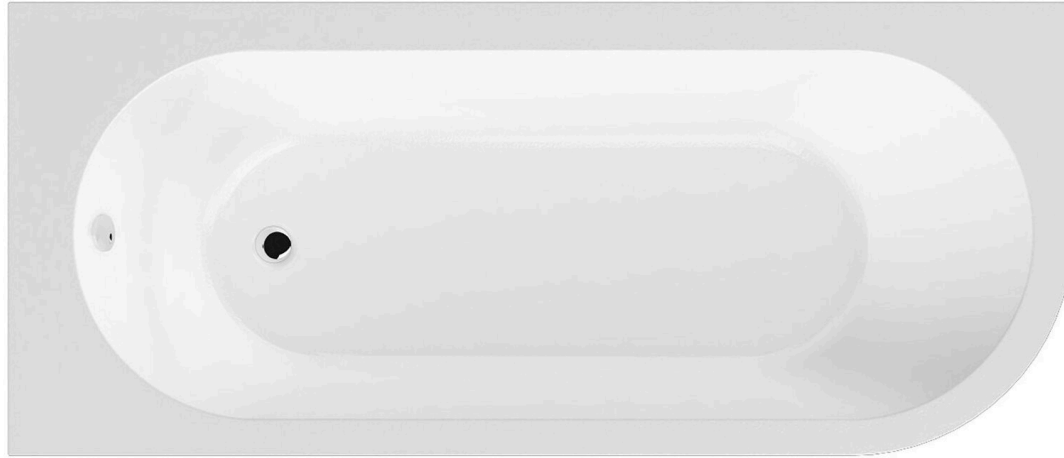
Volume	195 Litre
Country of Origin	Egypt
Product Material	Acrylic
Colour/Finish	White
Style	Contemporary
Fixings Included	No
Bath Panel Included	Yes
Ce Certified	Yes
Declaration Of Performance	Yes
Displaced Capacity	120 Litre
Includes Grips	No
Leg Set Included	Yes
Legs Included	Yes
No. Of Tapholes	No Tapholes
Overflow Included	Yes
Tap Included	No
Ukca Certified	Yes
Waste Included	No
Waste Size Required	90mm

Sales Code: NBH209L

Barcode: 5055275894538

Brand: nuie

Description: nuie Crescent 1700mm Left-Hand Curved Corner Bath With Legs



Product Dimensions

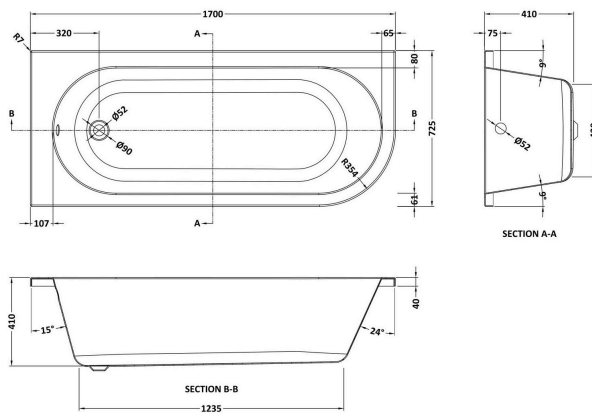
Product	410 x 725 x 1700mm (H x W x L)
Packaged	400 x 725 x 1700mm (H x W x D)
Nett Weight	28 kg
Packaged Weight	28 kg

Packaging Details

Label Size (mm)	40 x 80
Label Colour	White
Label Qty	2.0000

Product Details

Volume	195 Litre
Country of Origin	Egypt
Product Material	Acrylic
Colour/Finish	White
Style	Contemporary
Fixings Included	No
Bath Panel Included	No
Ce Certified	Yes
Declaration Of Performance	Yes
Displaced Capacity	120 Litre
Includes Grips	No
Leg Set Included	Yes
Legs Included	Yes
No. Of Tapholes	No Tapholes
Overflow Included	Yes
Tap Included	No
Ukca Certified	Yes
Waste Included	No
Waste Size Required	90mm

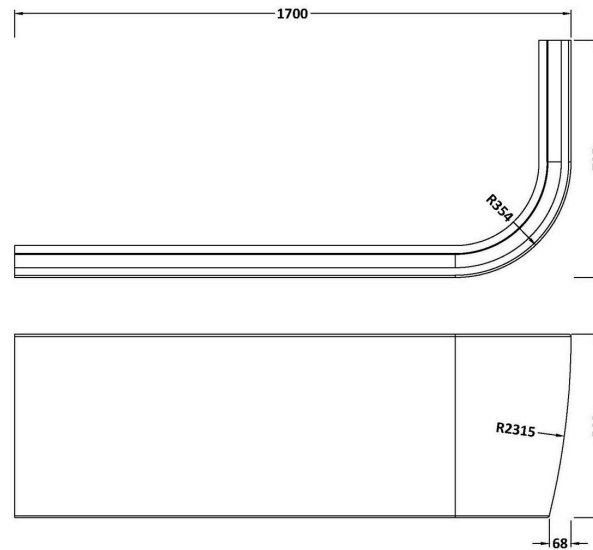


Sales Code: PAN209L

Barcode: 5056462602493

Brand: nuie

Description: nuie 1700 x 560mm Acrylic Left-Hand Panel



Product Dimensions

Product	725 x 560 x 1700mm (H x W x L)
Packaged	400 x 30 x 1700mm (H x W x D)
Nett Weight	5 kg
Packaged Weight	5.5 kg

Product Details

Country of Origin	Egypt
Product Material	Acrylic
Colour/Finish	White
Style	Contemporary